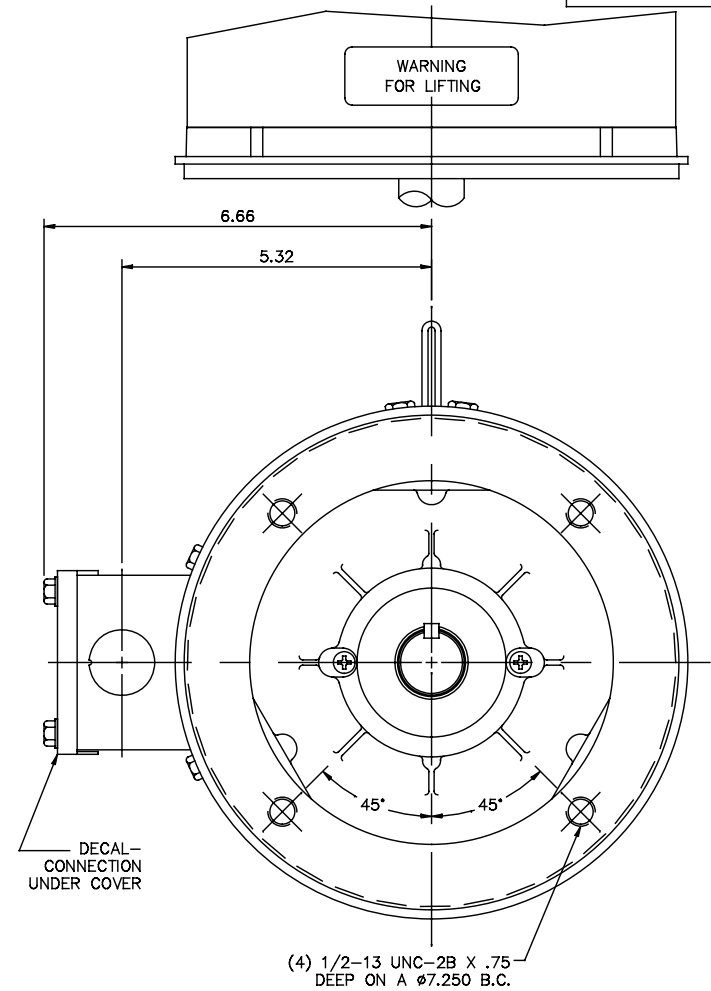
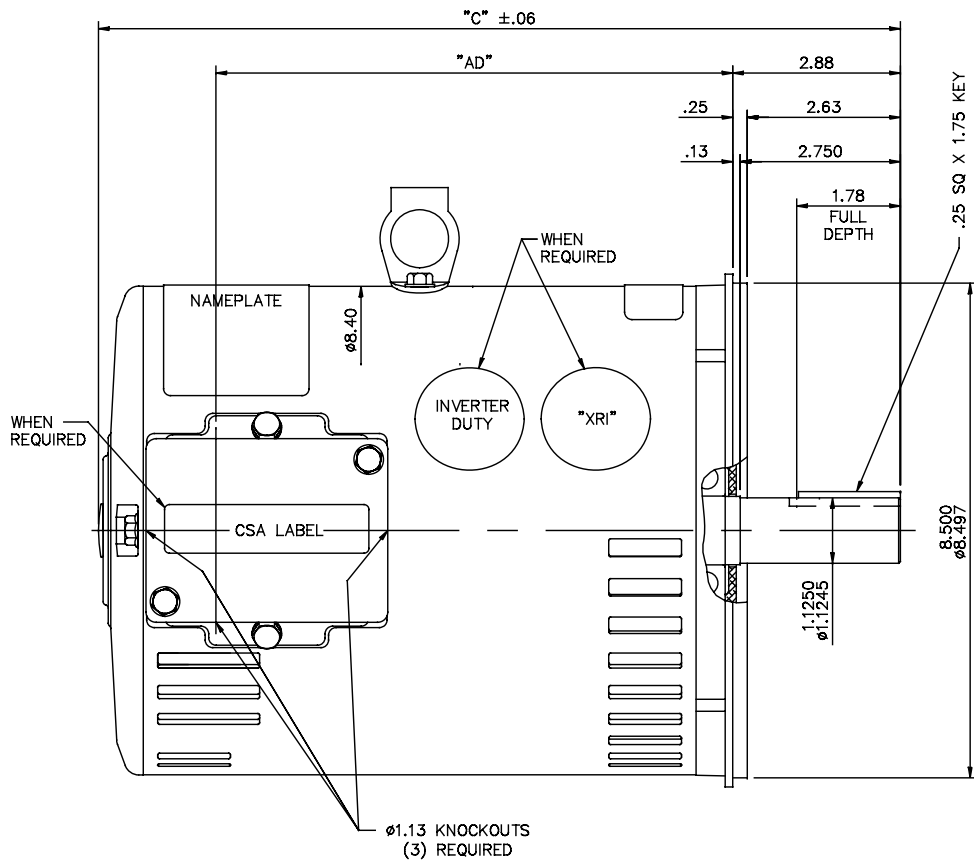


035593



GASKETS THROUGHOUT  
 MAXIMUM FACE RUNOUT TO BE .004 T.I.R.  
 MAXIMUM PILOT ECCENTRICITY TO BE .004 T.I.R.  
 PERMISSIBLE SHAFT RUNOUT TO BE .002 T.I.R.

DASH NO.	"C"	"AD"
850	12.78	7.88
900	13.28	8.38
950	13.78	8.88
1000	14.28	9.38
1050	14.78	9.88
1100	15.28	10.38
1150	15.78	10.88

REVISION		BY & DATE	CHK	ANG	±1/2"	FINISH	MARATHON ELECTRIC		DRAWN KVN 12/11/2007
03	CSA LABEL and XRI DECAL ADDED	SAJ 07/03/15	GR	.XX	±.03	TITLE	OUTLINE - 180T FRAME DRIP PROOF - "C" FACE		CHK
02	CONDUIT BOX UPDATED	PVR 04/08/14	JD	.XXX	±.005	MAT'L			APPD
01	ADD DECAL 080994-01 PER ISAAC 11-0611	LST 2/10/11	J	.XXXX	±.0005	FINISH			SCALE 1=2
TOLERANCES UNLESS SPECIFIED						CAD FILE		035593	REV.
THIS DRAWING IN DESIGN AND DETAIL IS OUR PROPERTY AND MUST NOT BE USED EXCEPT IN CONNECTION WITH OUR WORK. ALL RIGHTS OF DESIGN AND INVENTION ARE RESERVED. THIS IS AN ELECTRONICALLY GENERATED DOCUMENT - DO NOT SCALE THIS PRINT						RFP		035593	03
DIST NLV						SIZE B		DRAWING NO. 035593	REV. 03