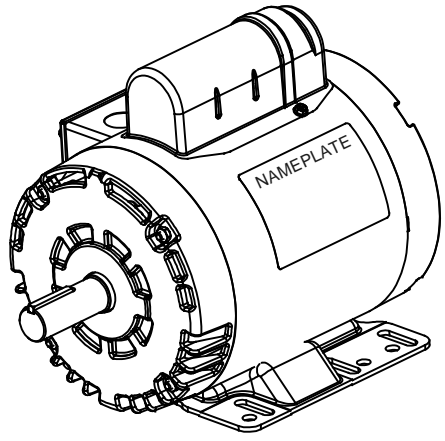
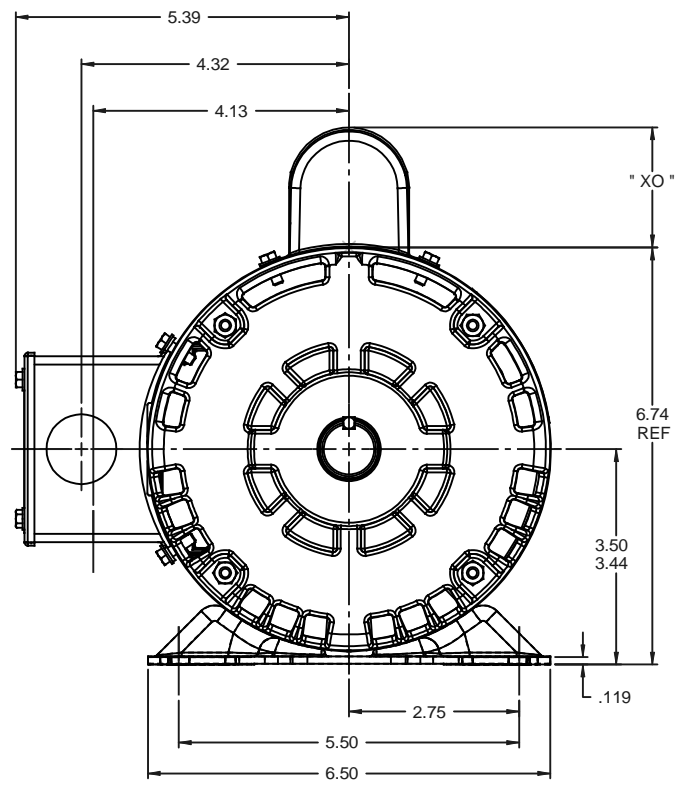
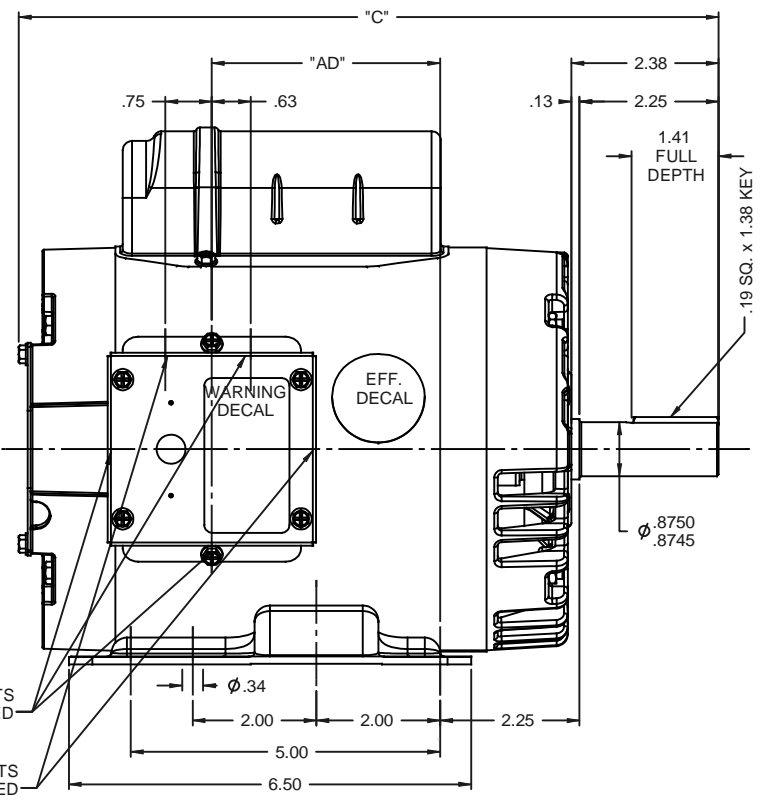


(3)  $\phi$ .88 KNOCKOUTS REQUIRED  
 (2)  $\phi$ 1.13 KNOCKOUTS REQUIRED



DASH NO.	"C"	"AD"	CAP. DASH	"XO"
550	10.81	3.19		
600	11.31	3.69		
650	11.81	4.19		
700	12.31	4.69	A	1.54
750	12.81	5.19	B	2.01
800	13.31	5.69		
850	13.81	6.19	C	2.25

REVISION		BY & DATE	CHK	ANG	±1/2"	FINISH	ELECTRIC MOTORS GEARMOTORS AND DRIVES		DRAWN VS 12/08/08
NO							LEESON		CHK
							TITLE OUTLINE - 140 FRAME		APPR VS 12/08/08
							DRIP PROOF - RIGID		SCALE 1:2
							MAT'L		REF
							RFP		FMF 120003.00
							PREV 033101		PAGE OF
							NETWORK FILE NAME		REV
							SIZE B		DRAWING NO 028920

