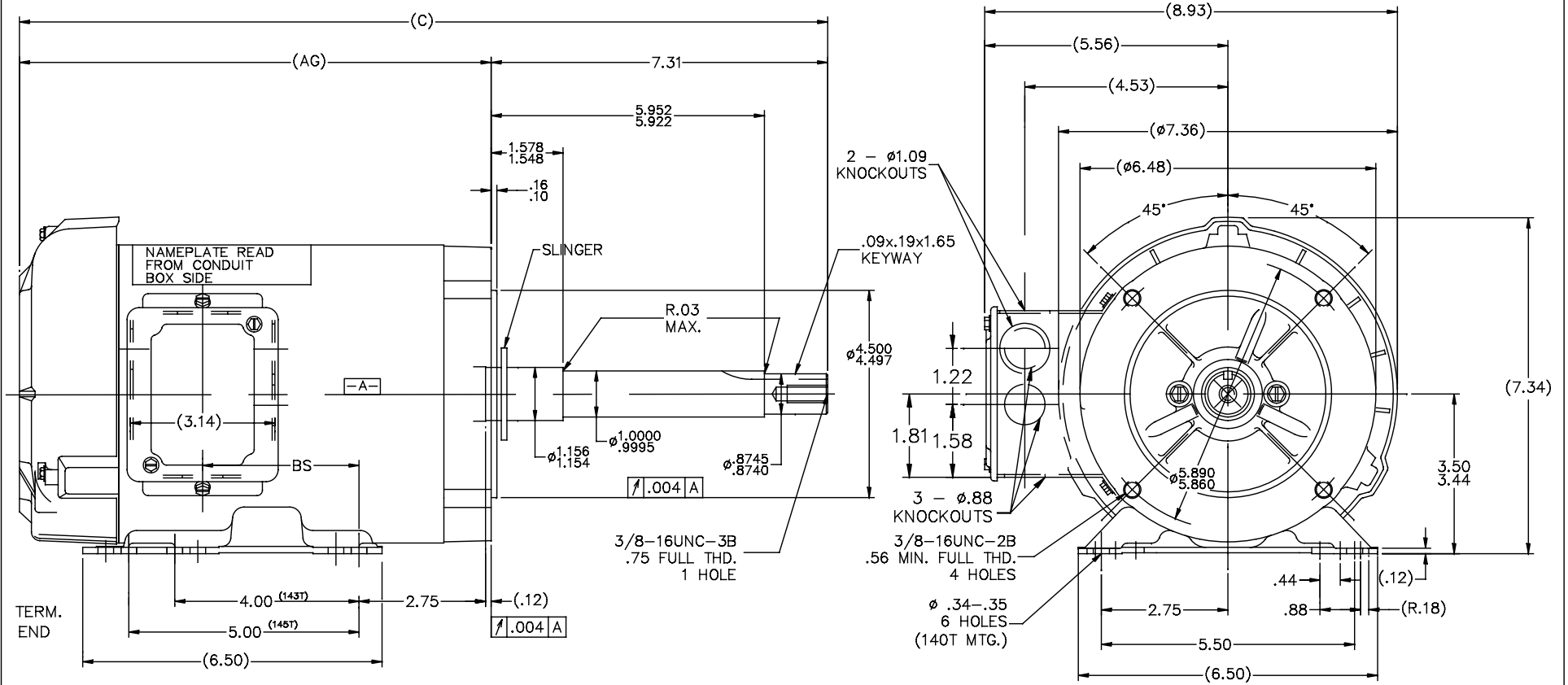


100134



NOTE:
CONDUIT BOX CAN BE ROTATED 180°

DASH	C	AG	BS
706	17.63	10.32	3.44
756	18.13	10.82	3.94
806	18.63	11.32	4.44
856	19.13	11.82	4.94
906	19.63	12.32	5.44
956	20.13	12.82	5.94

REVISION		BY & DATE	CHK	ANG	FINISH	PREV
8	CORRECTED 'C' DIM'S ON 27400-502	BLR 0-28-99	.XXX	$\pm .005$	TITLE OUTLINE - TEFC 140 FR. - 3 ϕ -BB -C'FACE -JP EXT.	REF
7	REDRAWN ON CADD, REVISED 'AG' DIM.	DT 06-06-96	.XXXX	$\pm .0005$	MAT'L	FMF
TOLERANCES UNLESS SPECIFIED						
	DEC.					
	.X			$\pm .1$		
	.XX			$\pm .02$		
THIS DRAWING IN DESIGN AND DETAIL IS OUR PROPERTY AND MUST NOT BE USED EXCEPT IN CONNECTION WITH OUR WORK. ALL RIGHTS OF DESIGN AND INVENTION ARE RESERVED. THIS IS AN ELECTRONICALLY GENERATED DOCUMENT - DO NOT SCALE THIS PRINT		RFP	ANG	$\pm 7'30''$	FINISH	PREV
		DIST	WP		CAD FILE 100134	SIZE B
				DRAWING NO. 100134		REV. 8

Regal Beloit America, Inc.
 DRAWN DT 05-30-96
 CHK KL 06-06-96
 APPD ML 06-06-96
 SCALE 5=9
 DRAWING NO. 100134
 REV. 8