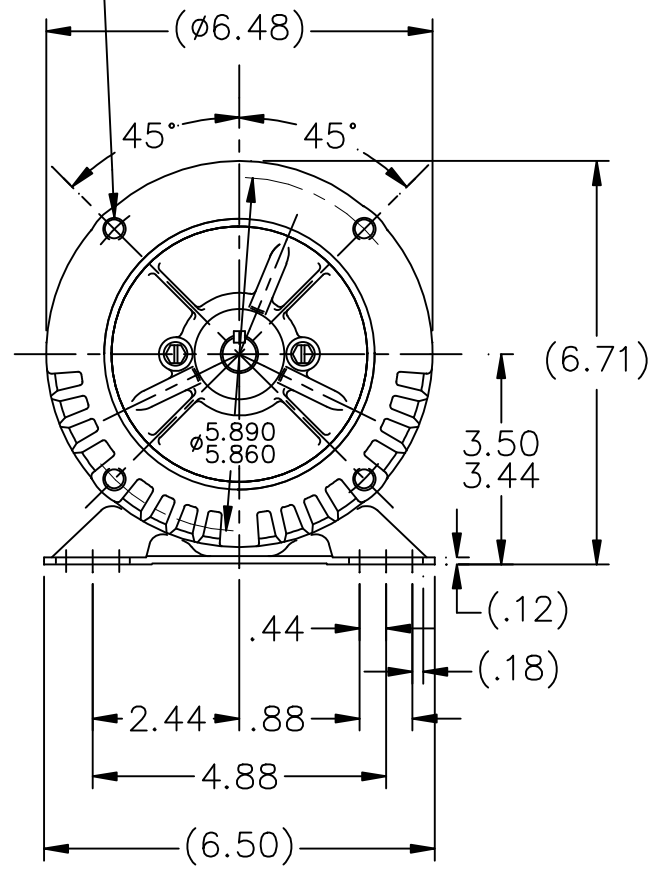


3/8-16 UNC-2B
.56 MIN. FULL THD.
4 HOLES



DASH	FR.	C	AG		DASH	FR.	C	AG	
606	56-60	9.94	7.87		806	56-70	11.94	9.87	
656	56-65	10.44	8.37		856	56-75	12.44	10.37	
706	56-70	10.94	8.87						
756	56-75	11.44	9.37						

				TOLERANCES UNLESS SPECIFIED			DRAWN NJS 09/23/1999			
				DEC.	INCHES		CHK ML 09/24/1999			
				.X	±.1		APPD ET 09/27/1999			
				.XX	±.03		SCALE 5=16			
				.XXX	±.005		REF			
02	REDRAWN CAD			NJS	09/27/1999	TITLE OUTLINE - 56FR. BB - DR.PR. - C' FACE - 3Ø		FMF		
NO.	REVISION			CHK	ANG	FINISH		PREV		
THIS DRAWING IN DESIGN AND DETAIL IS OUR PROPERTY AND MUST NOT BE USED EXCEPT IN CONNECTION WITH OUR WORK ALL RIGHTS OF DESIGN AND INVENTION ARE RESERVED THIS IS AN ELECTRONICALLY GENERATED DOCUMENT - DO NOT SCALE THIS PRINT				RFP	CAD FILE 100229			SIZE	DRAWING NO. PAGE OF	REV.
				DIST	WP			A	100229	02