

GENERAL INFORMATION:

SHAFT RUNOUT: .001 [.025] T.I.R. PER INCH LENGTH OF EXTENSION

BEARINGS: BALL

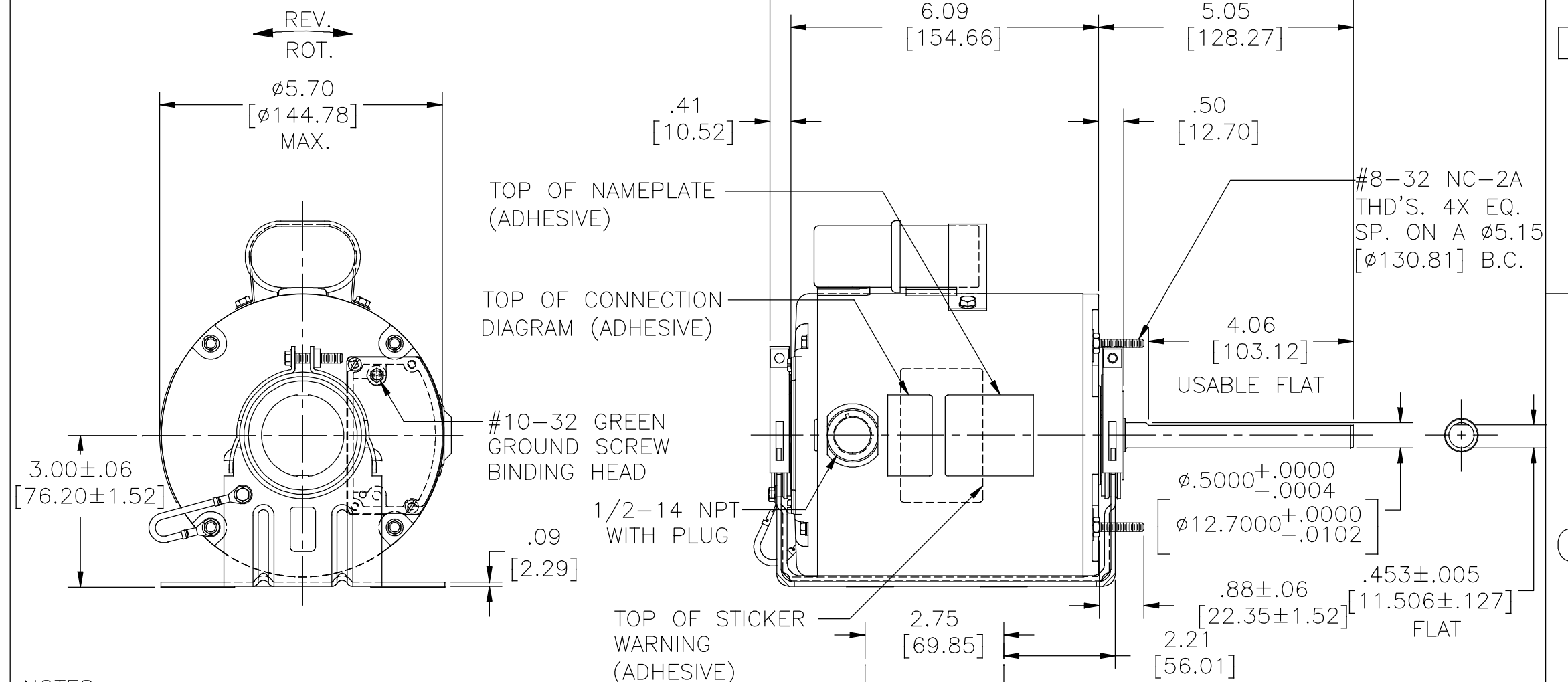
MOUNTING POSITION: ALL ANGLE

ELECTRICAL DATA:

OVERLOAD PROTECTOR: AUTOMATIC RESET (T.I. 7AM 036)

LEADS: NO. 18 GA., .03 [.76] THK. XLP 125°C INSUL.

GROUND LEAD: NO. 18 GA., .03 [.76] THK., GREEN/YELLOW INSUL.



NOTES:

- SHIP SEPARATE 619432-256 BAG ASSEMBLY(MADE IN MM1).
- SHIP SEPARATE 10008025-012-001 BAG ASSEMBLY. (ONLY USED MADE IN CHANGZHOU).
- MOTOR TO BE SHIPPED CONNECTED FOR CCWLE ROTATION AND 115 VOLTS.

GREEN/YELLOW (GROUND)	CONNECTED TO BASE	#10 EYELET
RED	CONNECTED TO CAPACITOR	.25 [6.35] FLAG
RED	CONNECTED TO CAPACITOR	.25 [6.35] FLAG
YELLOW	5.0/6.0 [127.0/152.4]	.25 [6.35] FLAG
BLACK	5.0/6.0 [127.0/152.4]	.25 [6.35] FLAG
ORANGE	5.0/6.0 [127.0/152.4]	.25 [6.35] FLAG
WHITE	5.0/6.0 [127.0/152.4]	.25 [6.35] FLAG
RED	5.0/6.0 [127.0/152.4]	.25 [6.35] FLAG
BROWN	5.0/6.0 [127.0/152.4]	.25 [6.35] FLAG
YELLOW/BLACK	5.0/6.0 [127.0/152.4]	.25 [6.35] FLAG
COLOR	LENGTH	TERMINAL OR STRIP LENGTH

REGAL-BELOIT CORPORATION (RBC) PROVIDES TECHNICAL ASSISTANCE TO OUR CUSTOMERS IN SEVERAL AREAS. SINCE RBC DOES NOT RECEIVE ALL DATA CONCERNING THE USE AND APPLICATION OF THE MOTOR, THE SUITABILITY OF THE MOTOR FOR THE APPLICATION MUST BE DETERMINED BY THE CUSTOMER.

DIMENSIONS WITHOUT TOLERANCES ARE FOR REFERENCE ONLY.

MAIN FRAME - OLE	ENCLOSED
END FRAME - OLE	ENCLOSED
MAIN FRAME - LE	ENCLOSED
END FRAME - LE	ENCLOSED

CUSTOMER	DISTRIBUTION SERVICE
----------	----------------------

NAMEPLATE DATA:	EXTERNAL CONNECTION DIAGRAM
MODEL NO.: F48Y92A01 CUST. P/N: 730A HP: 1/6 ROT.: REVERSIBLE RPM: 1140 TYPE: UF FRAME: 48Y VOLTS: 115/208-230 PH: 1 AMPS: 2.1/1.1 HZ: 60 INS.: B AMB.: 60° C DUTY: AIR OVER CAP.: 4 MFD/370 V ENCL: ENCLOSED UL LOGO CSA LOGO THERMALLY PROTECTED	<p>YEL/BLK — L2</p> <p>BROWN — B</p> <p>WHITE — A</p> <p>ORANGE — A</p> <p>RED — A</p> <p>BLACK — L1</p> <p>YELLOW — L1</p> <p>HIGH VOLTS</p> <p>YEL/BLK — L2</p> <p>BROWN — B</p> <p>ORANGE — A</p> <p>RED — A</p> <p>BLACK — L1</p> <p>WHITE — L1</p> <p>YELLOW — L1</p> <p>LOW VOLTS</p> <p>SHOWN FOR CCWLE ROTATION, FOR CWLE INTERCHANGE RED AND BLACK LEADS</p>

PERFORMANCE CURVE NO.	TORQUE @ 1130 RPM (25°C)	APPROVED SAMPLE	UL COMPONENT FILE #	CCN #	CSA FILE #	CLASS #
C32690	12.5 OZ. FT.	0603112B	E46412	PRGY2	LR43341	4211-01

DRAWING REVISION	REVISION BY	DATE
G	YANG.LIU	09-04-2017
ECO	APPROVED BY	DATE
ECO-0130430	CADDIE.ZHOU	09-04-2017

ECO DESCRIPTION  
UPDATED LOGO AND ADD NOTES 2

COPYRIGHT REGAL-BELOIT AMERICA, INC. ALL RIGHTS RESERVED. PROPRIETARY AND CONFIDENTIAL INFORMATION - THIS DOCUMENT IS THE PROPERTY OF REGAL-BELOIT AMERICA, INC. (OWNER) AND CONTAINS OWNER'S PROPRIETARY INFORMATION. ANY PERSON, CORPORATION OR OTHER FIRM RECEIVING IT IS DEEMED, BY RECEIVING IT, TO AGREE THAT IT, AND/OR ANY PART OF IT, SHALL NOT BE DISCLOSED TO ANY PERSON, CORPORATION OR OTHER ENTITY, DUPLICATED, AND/OR USED, EXCEPT AS EXPRESSLY APPROVED IN WRITING IN ADVANCE BY OWNER. THIS DOCUMENT SHALL BE RETURNED TO OWNER UPON REQUEST. IT MAY BE SUBJECT TO CERTAIN RESTRICTIONS UNDER APPLICABLE EXPORT CONTROL LAWS AND REGULATIONS.

DRAWN BY: MEIYU.HE	REGAL™ Regal Beloit America, Inc.	
DATE: 05-08-2007	DESCRIPTION: MODEL-RFHP-48FR OUTLINE	
APPROVED BY: TR	MATERIAL: -	PROCESS/FINISH: -
DATE: 08-08-2007	REFERENCE: -	SIZE DWG NO: C 730A
THIRD ANGLE PROJECTION	SHEET: 1	