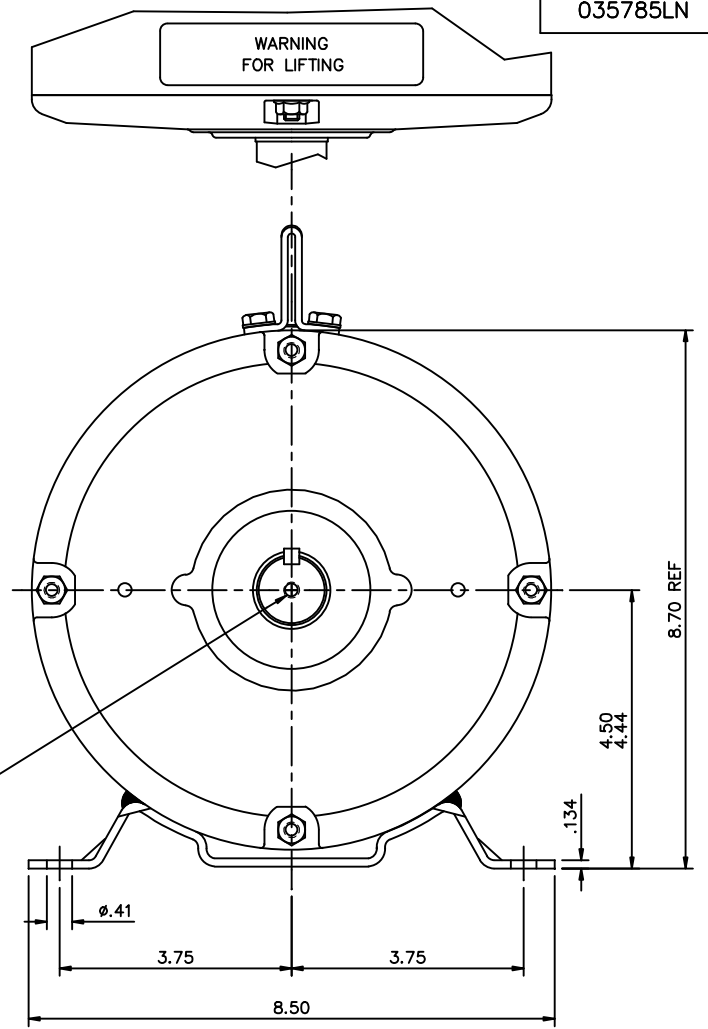


1/4-20 UNC-2B
X .75 FULL THD
1 HOLE.

GASKETS THROUGHOUT



DASH NO.	"C"	"AD"
950	13.94	6.50
1000	14.44	7.00
1050	14.94	7.50
1100	15.44	8.00
1150	15.94	8.50
1200	16.44	9.00
1250	16.94	9.50

NO.		REVISION	BY & DATE	CHK	ANG	±1/2"	FINISH	TOLERANCES UNLESS SPECIFIED			DRAWN JD 03/31/2011				
DEC.	INCHES										CHK	APPD			
.X	±.1														
.XX	±.03									TITLE	SCALE	1=2			
.XXX	±.005									OUTLINE - 184T FRAME DRIP PROOF - RIGID MOUNT	REF	-			
.XXXX	±.0005									MAT'L	FMF	LM24780			
RFP											PREV				
DIST															
THIS DRAWING IN DESIGN AND DETAIL IS OUR PROPERTY AND MUST NOT BE USED EXCEPT IN CONNECTION WITH OUR WORK ALL RIGHTS OF DESIGN AND INVENTION ARE RESERVED THIS IS AN ELECTRONICALLY GENERATED DOCUMENT - DO NOT SCALE THIS PRINT								CAD FILE	035785LN	SIZE	B	DRAWING NO.	035785LN	REV.	