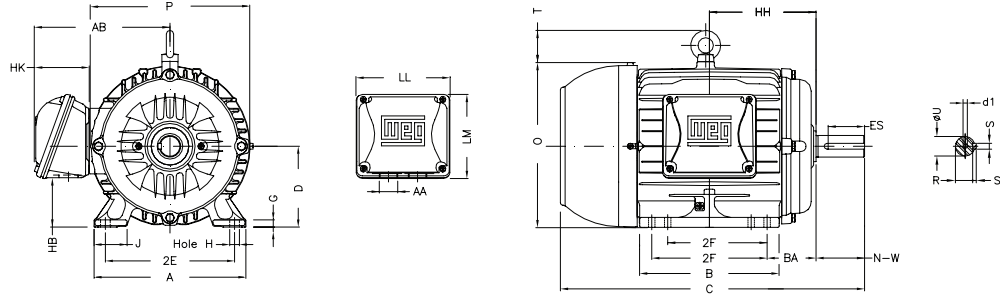


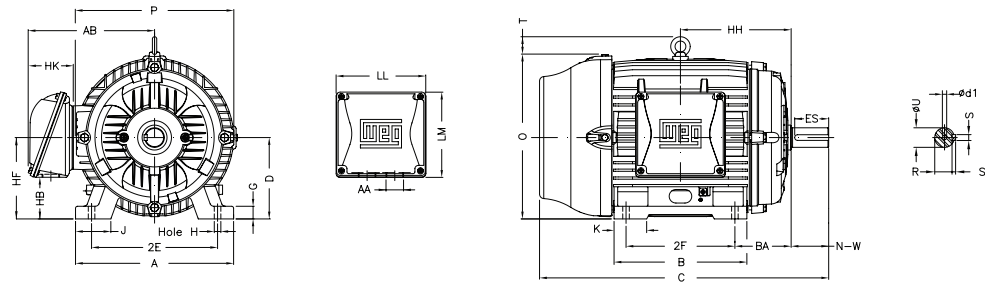
W22 Super Premium Efficiency Motors

TEFC - Severe Duty - Mechanical Data

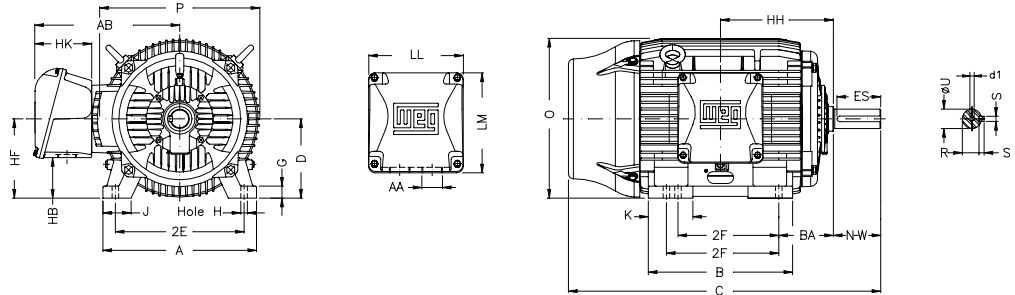
Frames 143T to 184T



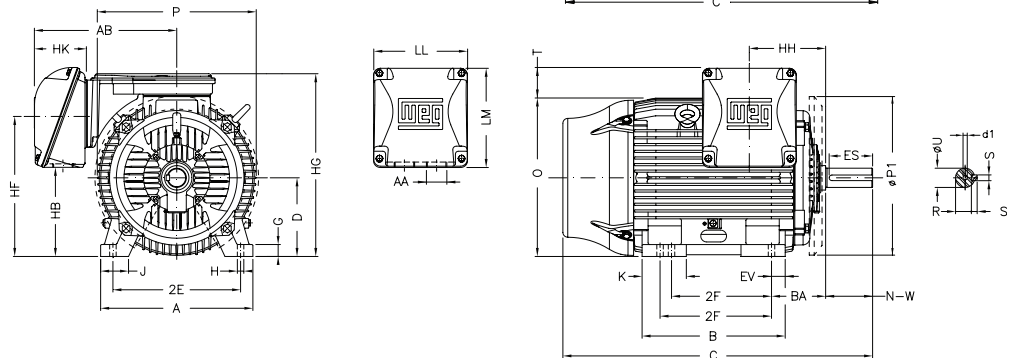
Frames 213T to 326T



Frames 364 to 444/5T



Frames 445/7T to 586/7T





W22 Super Premium Efficiency Motors

TEFC - Severe Duty - Mechanical Data

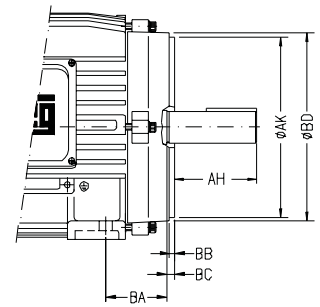
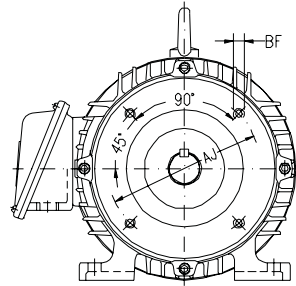
NEMA Frames	MOUNTING				A	B	C	D	G	J	O	K	P	T	KEYWAY			SHAFT EXTENSION	
	2E	2F	H	BA											S	R	ES	N-W	U
143/5T	5.500	4.000/5.000	0.344	2.250	6.457	6.142	13.346	3.500	0.354	1.437	7.122	-	7.047	-	0.187	0.765	1.575	2.250	0.875
L143/5T							14.566												
182/4T	7.500	4.500/5.500	0.406	2.750	8.661	6.969	15.860	4.500	0.394	1.594	9.343	-	8.740	1.772	0.250	0.984	1.969	2.750	1.125
L182/4T							17.041												
213/5T	8.500	5.500/7.000	0.531	3.500	9.764	8.858	19.517	5.250	0.827	1.988	10.841	2.165	10.669	1.772	0.313	1.203	2.480	3.375	1.375
L213/5T							20.461												
254/6T	10.000	8.252/10.000	0.531	4.250	12.126	11.732	24.945	6.250	-	2.539	12.598	2.559	12.953	2.087	0.375	1.406	2.756	4.000	1.625
284/6TS							26.557												
284/6T	11.000	9.500/11.000	0.657	4.750	13.780	13.071	27.929	7.000	1.023	3.110	14.067	2.874	14.173	2.087	0.375	1.406	2.480	3.250	1.625
324/6TS							29.616												
324/6T	12.500	10.500/12.000	0.660	5.250	15.157	14.567	31.116	8.000	1.300	3.189	15.953	3.189	15.827	2.441	0.500	1.594	2.756	3.750	1.875
364/5TS							32.276												
364/5T	14.016	11.260/12.244	0.660	5.875	17.165	16.220	34.251	9.000	1.480	3.150	17.716	4.921	17.914	2.441	0.625	2.019	4.330	5.874	2.375
404/5TS							32.276												
404/5T	15.984	12.244/13.740	0.810	6.625	19.921	18.386	36.732	10.000	1.811	-	19.566	5.669	19.134	-	0.500	1.844	3.937	5.250	2.125
444/5TS							39.730												
444/5T	18.000	14.500/16.500	0.810	7.500	21.929	20.315	41.443	11.000	1.630	3.937	22.795	5.866	23.583	4.620	0.625	2.021	3.000	4.750	2.375
445/7TS							45.301												
445/7T	18.000	16.500/20.000	0.810	7.500	21.496	23.897	49.051	11.000	1.654	-	25.291	6.692	25.866	4.620	0.875	2.880	7.087	8.500	3.375
447/9TS							52.588												
447/9T	18.000	20.000/25.000	0.810	7.500	21.929	31.535	56.338	11.000	1.630	4.331	23.874	8.780	25.866	4.620	0.875	2.880	7.087	8.500	3.375
L447/9TS							53.431												
L447/9T	23.000	22.000/25.000	1.181	10.000	29.528	29.921	57.181	14.500	2.492	5.512	28.985	9.055	28.977	5.590	1.000	3.312	8.661	11.625	3.875
586/7T							61.902												

NEMA Frames	TERMINAL BOX									d1	BEARINGS	
	AB	HB	HF	HG	HH	HK	LL	LM	AA		D.E.	N.D.E.
143/5T	6.181	1.728	3.500	-	4.750	2.638	4.527	4.094	NPT3/4"	A 4	6205 ZZ	6204 ZZ
L143/5T					5.500						3.110	5.512
182/4T	7.559	2.236	4.500	-	7.000	3.937	7.795	7.402	NPT1 1/2"	A 4	6308 ZZ	6207 ZZ
L182/4T					9.250						5.512	5.236
213/5T	8.583	3.006	5.250	-	10.250	4.645	8.976	8.543	NPT 2"	A 4	6311 C3	6211 C3
L213/5T					11.250						5.512	5.236
254/6T	10.394	3.061	6.565	-	12.362	6.378	9.646	10.119	NPT 3"	UNC 3/4"-10	6314 C3	6314 C3
284/6TS					14.213						5.512	
284/6T	10.984	3.535	7.000	-	15.748	5.787	11.811	11.890	2xNPT 3"	UNC 3/4"-10	6319 C3	6316 C3
324/6TS					12.480						5.512	5.236
324/6T	12.480	4.811	8.708	-	11.803	6.968	14.646	15.040	2xNPT 3"	UNC 3/4"-10	6319 C3	6316 C3
364/5TS					12.362						5.512	5.236
364/5T	16.378	4.055	-	-	14.213	6.968	14.646	15.040	2xNPT 3"	UNC 3/4"-10	6319 C3	6316 C3
404/5TS					15.748						5.512	5.236
404/5T	18.386	5.394	-	-	11.803	6.968	14.646	15.040	2xNPT 3"	UNC 3/4"-10	6319 C3	6316 C3
444/5TS					12.362						5.512	5.236
444/5T	20.670	12.598	20.724	26.850	11.803	6.968	14.646	15.040	2xNPT 3"	UNC 3/4"-10	6319 C3	6316 C3
445/7TS					14.213						5.512	5.236
445/7T	20.670	12.598	20.724	26.850	11.803	6.968	14.646	15.040	2xNPT 3"	UNC 3/4"-10	6319 C3	6316 C3
447/9TS					14.213						5.512	5.236
447/9T	23.071	11.417	20.551	28.236	11.500	8.464	15.906	17.244	2xNPT 3"	UNC 7/8"-9	6322 C3	6319 C3
L447/9TS					13.386						5.512	5.236
L447/9T	23.977	17.322	26.732	34.015	13.386	8.464	15.906	17.244	2xNPT 3"	UNC 7/8"-9	6322 C3	6319 C3
586/7T					13.386						5.512	5.236

W22 Super Premium Efficiency Motors

TEFC - Severe Duty - Mechanical Data

"C" FLANGE DIMENSIONS											
NEMA FRAMES	BA	AJ	AK	BD	BF		BB	BC	AH		
					NUMBER	TAP SIZE					
143/5TC	2.250	5.875	4.500	6.500	4	UNC 3/8"x16	0.156	0.125	2.125		
182/4TC	2.750					UNC 1/2"x13		0.125	2.625		
213/5TC	3.500	7.250	8.500	8.875				0.125	3.125		
254/6TC	4.250							0.125	3.75		
284/6TC	4.750	9.000	10.500	11.031				0.125	4.375		
284/6TSC								0.125	3.000		
324/6TC	5.250			13.583				0.125	5.000		
324/6TSC								0.125	3.500		
364/5TC	5.875	11.000	12.500			8		UNC 5/8"x11	0.250	0.250	5.625
364/5TSC											
404/5TC	6.625			15.551			0.250				7.000
404/5TSC							0.250				4.000
444/5TC	7.500	14.000	16.000	17.913			0.250				8.250
444/5TSC							0.250				4.500
445/7TC							0.250				8.250
445/7TSC							0.250				4.500
447/9TC							0.250				8.250
447/9TSC							0.250				4.500
L447/9TC						0.250	8.250				
L447/9TSC						0.250	4.500				
586/7TC					10.000	14.500	16.500			0.250	11.375



"D" FLANGE DIMENSIONS										
NEMA FRAMES	BA	AJ	AK	BD	BF		BB			
					NUMBER	TAP SIZE				
143/5TD	2.250	10.000	9.000	11.000	4		0.562			
182/4TD	2.750									
213/5TD	3.500									
254/6TD	4.250	12.500	11.000	14.000						
284/6TD	4.750									
284/6TSD	5.250	16.000	14.000	18.000				8	0.828	0.203
324/6TD										
324/6TSD										
364/5TD	5.875	20.000	18.000	21.653						
364/5TSD	5.875									
404/5TD	6.625	7.500	18.000	21.653	8	0.828	0.203			
404/5TSD										
444/5TD										
444/5TSD										
445/7TD										
445/7TSD										
447/9TD		30.000	28.000	32.000		0.250				
447/9TSD										
586/7T	10.000									

