

Product Information Packet

November 7, 2016

Data shown is for the current revision model #. Ensure your nameplate model # matches.

Model Number:	5KS286ATE205AF2
Catalog Number:	E7028
Instruction Manual:	GEI-M1023
Connection Diagram:	GEM2034E-FIG10
Outline Drawing:	358B6217AB

Accessory Connection Diagrams			
Bearing Thermocouple:	None	Heater:	None
RTD:	None	Thermistor:	None
Thermostat:	None	Winding Thermocouple:	None
Bearing RTD:	None		

Table of Contents	
Specification	01
Performance Characteristics	02
Outline Drawing	03
Connection Drawing(s)	04

Marks:

MODEL NUMBER:	5KS286ATE205AF2	Estimated Weight:	465 Lbs
Outline Drawing:	358B6217AB	Time Rating:	CONT
Connection Diagram:	GEM2034E-FIG10	Enclosure:	DP
Instruction Book:	GEI-M1023	Encl Construction:	OPEN
Design Code:	28AD1011A	Ambient Max(°C):	-20/40
Type:	KS	Alt Ambient Max(°C):	--
Frame:	286T	Insulation Class:	F
Phases:	3	NEMA Design:	A
Poles:	4	Nominal Efficiency:	94.1 %
Output Power:	30HP 22.2KW	Guaranteed Efficiency:	93.0
RPM:	1775	3/4 Load Efficiency:	94.6
Voltage:	230/460	KVA Code:	G
Hertz:	60	Max KVAR:	9.1
Amps - FL:	72.4/36.2	Power Factor:	82.5
Service Factor:	1.15	Bearing - DE:	6312ZZ
Alt Service Factor:	--	Bearing - ODE:	6310ZZ

Enclosure is Dripproof

Stamped Nameplate Notes:**Additional Information:**

4 POLE DP
 LRA; 466.6/233.3
 NO. OF MOTOR LEADS: 12
 CONDUIT BOX VOLUME (IN³): 244
 CONDUIT BOX MTL: STAMPED STEEL
 GREASE TYPE: SHELL ALVANIA R3 LITHIUM GREASE
 USABLE AT 200V @ 30HP, 81.2 AMPS @ 1.0 SF
 50 HZ DATA: 30HP, 200/400V, 83.2/41.6 AMPS @ 1.0 SF, 1470 RPM
 SOUND POWER: 74.7
 DMK, 06/04, DATA UPDATE 11/2004
 INVERTER DUTY PER NEMA MG1 PART 31
 FOR VARIABLE TORQUE LOADS

Performance Characteristics

1st Winding 1st Connection

Design: 28AD1011A

Marks:

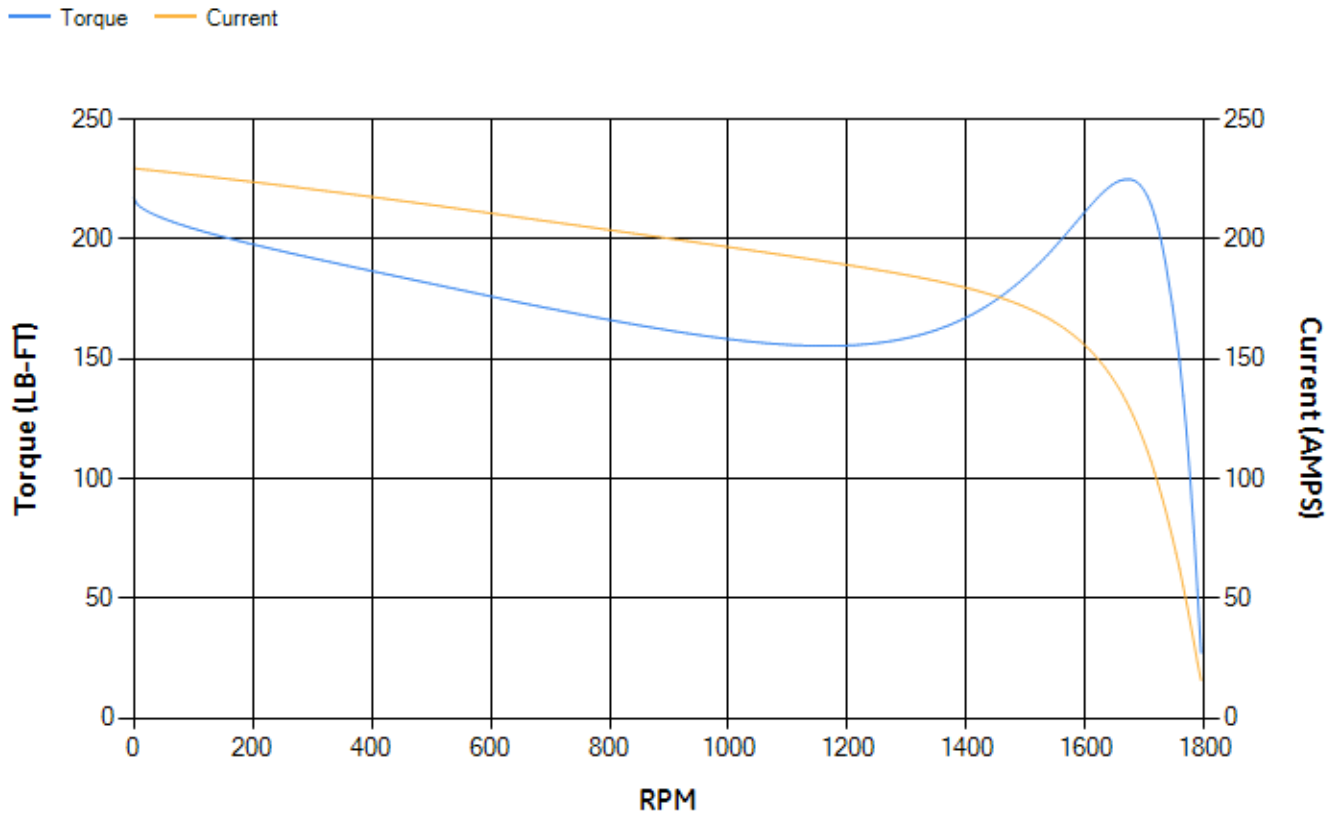
LOAD %	125.0	115.0	100.0	75.0	50.0	25.0	0.0
% EFF	93.54	93.86	94.44	94.57	94.18	91.37	0.00
% PF	84.21	84.19	83.66	80.83	73.14	52.66	4.95
AMPS	44.55	40.86	35.54	27.55	20.38	14.59	11.61

TORQ(FL)#FT	88.69	TORQ(LR)%FL	245.01	TORQ(BD)%FL	252.82
AMPS(LR)	229.54	PF AT START	0.4		

This motor is capable of two cold or one hot start with a maximum connected load inertia of 1024 Lb-Ft Sq (43.11 Kg-meter Sq)at 100% voltage, where the load torque varies with the square of the speed. Acceleration time with maximum inertia and the above load type is 40 seconds. Safe stall time at 100% voltage is 68 seconds cold, 59 seconds hot. Rotor inertia is 4.9 Lb-Ft Sq (0.21 Kg-meter Sq).

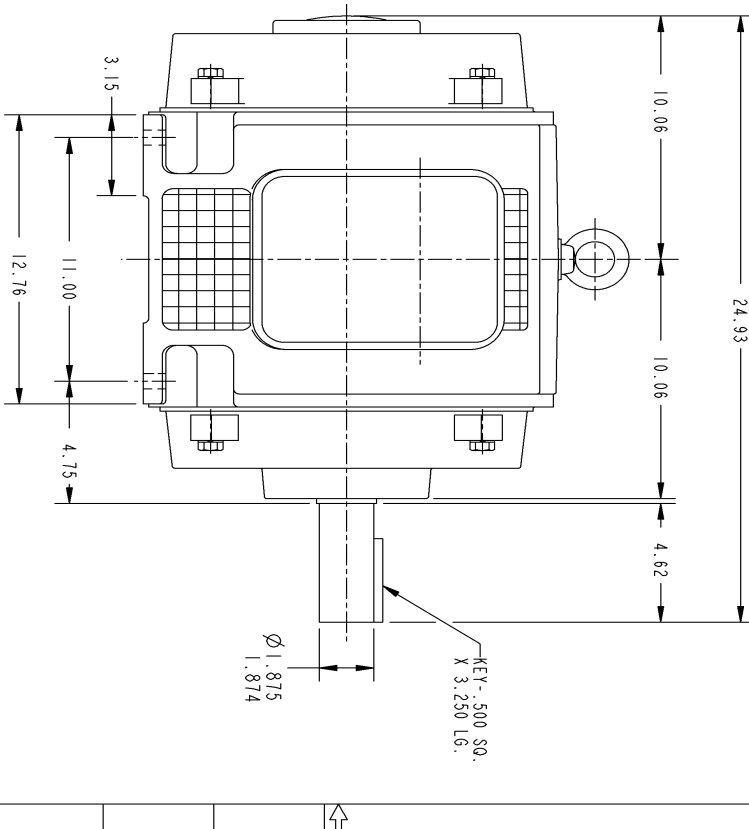
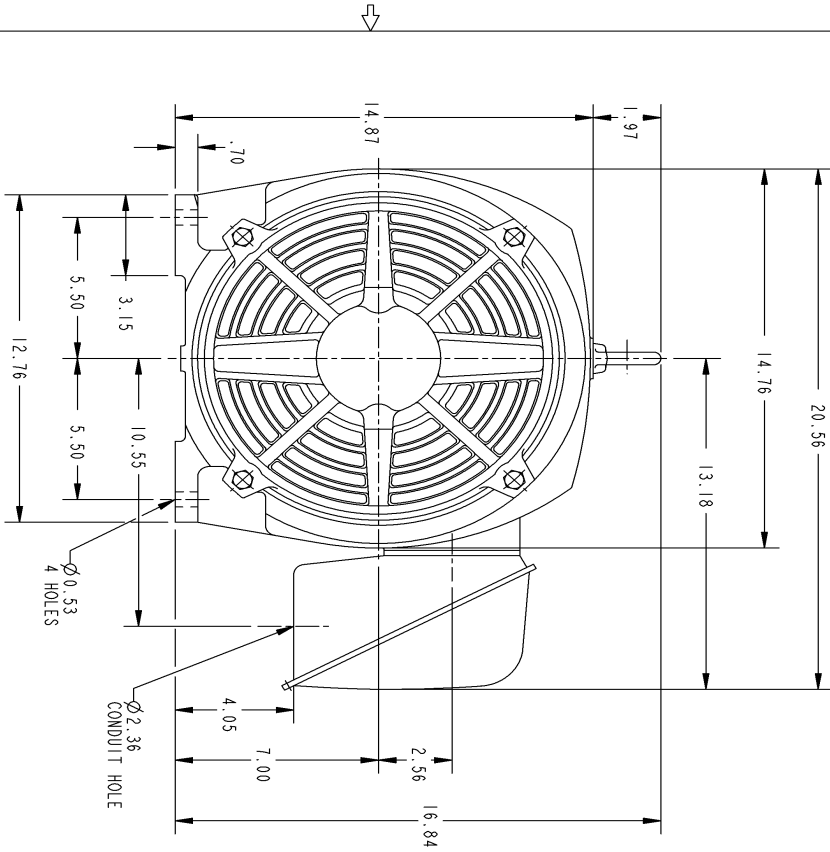
Open Circuit A-C:	0.605	Short Circuit D-C:	0.022
Short Circuit A-C:	0.026	X/R Ratio:	8.238
Stator Slots:	48	Rotor Slots:	40

Speed Torque Current Curve (First Connection, First Speed)



NAME:501452442 OBJECT:358B6217AB DATE:15-May-07 15:37:54

Marks:



GE PROPRIETARY INFORMATION
 This document is the property of General Electric Company (GE) and contains confidential information. It is intended for use only by the person to whom it is issued. It is not to be distributed, copied, or otherwise used without the prior written consent of GE. If you are not the intended recipient, you should not disseminate, distribute, or take any action in reliance on the information contained herein. If you have received this document in error, please notify the person to whom it was addressed immediately. This document shall be returned to GE upon its receipt and destroyed. No part of this document shall be reproduced or transmitted in any form or by any means, electronic, mechanical, photocopying, recording, or by any information storage and retrieval system, without the prior written permission of GE.

REV.	DESCRIPTION	DATE	APPROVED
1	ISAAC 07-0770	05/03/07	R. KOHNE

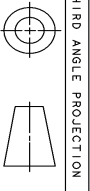
SIZE DRAWING FOR
358B6217AB

SHEET
1

REVISIONS

NOTES :

1. CONDUIT BOX MAY BE PLACED WITH THE ENTRANCE DOWN, UP OR ON EITHER SIDE.
2. F-1 ASM AS SHOWN.
3. F-2 ASM - HAS CONDUIT BOX ON OPPOSITE SIDE.



THIRD ANGLE PROJECTION

UNLESS OTHERWISE SPECIFIED:		SIGNATURES		DATE	
DIMENSIONS ARE IN INCHES		P. RAJU		03/27/03	
TOLERANCE ON:		CHECKED		PRABHAKAR	
2 PL DECIMALS ±		ENGR		03/27/03	
3 PL DECIMALS ±		ISSUED		PRABHAKAR	
ANGLES ± 1°		APPLIED PRACTICES		03/27/03	
MATERIAL:		SIZE DRAWING		REV.	
		B		1	
SCALE: DRAWING SCALE		GENERAL ELECTRIC COMPANY		Fort Wayne, Indiana	
		Systems		286T - OPEN DRIP PROOF	
		OUTLINE		358B6217AB	
DISTRIBUTION:		SHEET 1 OF 1			

Marks:

Connection Diagram
GEM2034E-FIG10

