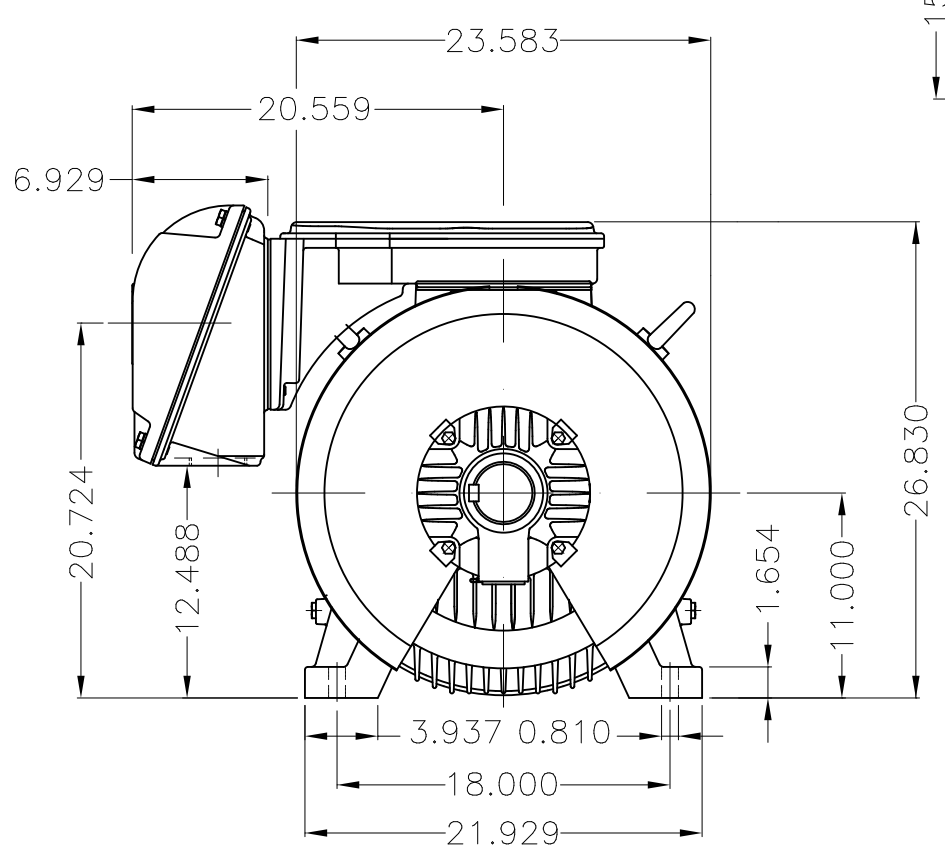


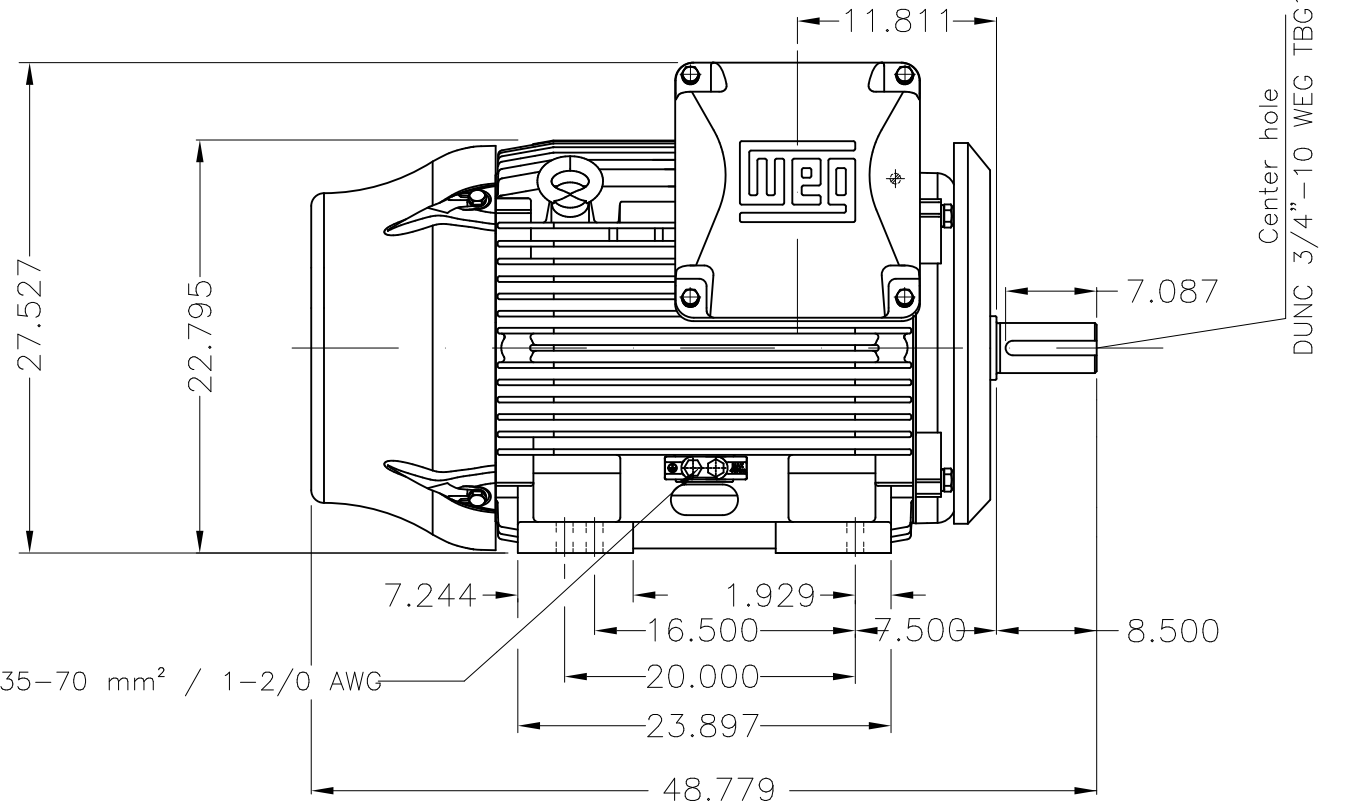
Dimensões em polegada  
Dimensions in inches

THIS IS AN UPDATED REVISION, THE  
PREVIOUS ONE MUST BE DISREGARDED.



Main terminal box

Grounding for leads 35-70 mm<sup>2</sup> / 1-2/0 AWG



Center hole  
DUNC 3/4"-10 WEG TBG12

Grounding for leads 35-70 mm<sup>2</sup> / 1-2/0 AWG



DE Shaft End

- DE roller bearing
- Shaft locking device
- Bronze fan
- Drive-End Air Deflector
- Color RAL 5009
- Painting plan 202E
- Service factor 1.15
- Mounting B3R(D)

ECM	LOC	SUMMARY OF MODIFICATIONS	EXECUTED	CHECKED	RELEASED	DATE	VER
EXECUTED	USERADMIN	THREE PH. W22 NEMA P.EFF MOTOR IEEEE841					
CHECKED		FRAME 445/7T IP55 TEFC					
RELEASED		WEG code: 11584442					
REL DT	24.07.2017	WMO Jaragua do Sul	Product Engineering	SHEET	1 / 1		

150 HP 06 Poles 60Hz

A

