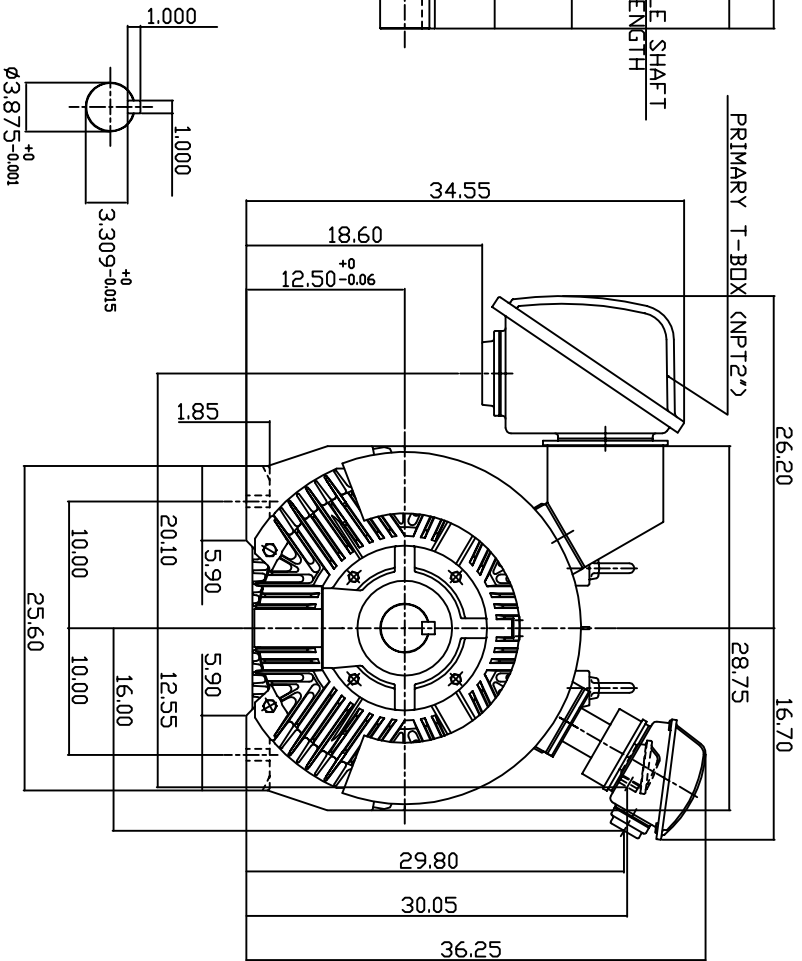
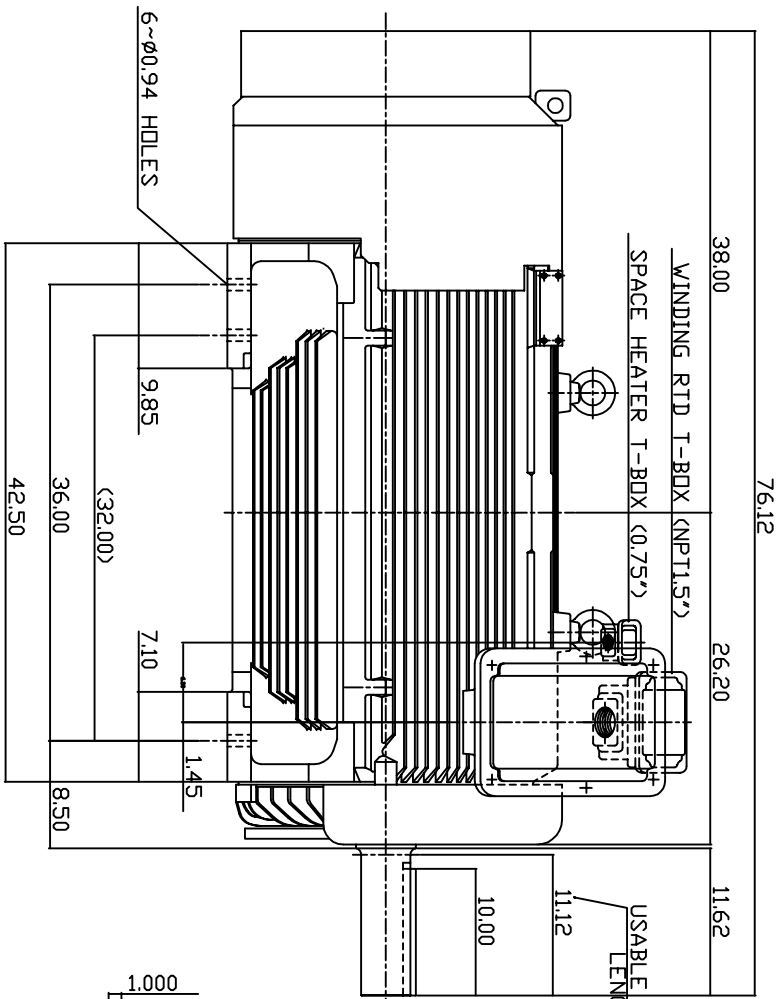


TYPE	OUTPUT		POLE	TIME RATING	VOLTAGE	Hz	SYN SPEED R.P.M
	HP.	KW.					
AEHGTK	400	298	6	CDNT.	2300/4160	60	1200

TOTALLY ENCLOSED FAN-COOLED TYPE, SQUIRREL-CAGE ROTOR



NOTE:

1. DIMENSIONS IN INCH.
2. FRAME NO. 5011C (5010C)
3. F CLASS INSULATION, S.F.1.15
4. FOR BELT DRIVE APPLICATIONS
5. WITH SPACE HEATER 120 VOLT SINGLE PHASE 200 WATTS
6. WITH 100 OHM PLATINUM WINDING RTD'S 2/PHASE
7. BEARING SIZE: DRIVE END: NU324  
NON-DRIVE END: 6320
8. MOTOR APPROX. WEIGHT: 4750 LBS

TW-56C

DWN.	W.LLIN	APR -08 -2003
CHKD.	W.LLIN	APR -08 -2003
APPD.	C.WANG	APR -08 -2003

DATE	MAY 5, 2004	OUTLINE DIMENSIONS
CATALOG NO.	KG4006R	3-PHASE INDUCTION MOTOR

TEC Westinghouse DWG NO. 3A040T4512 REV: 00