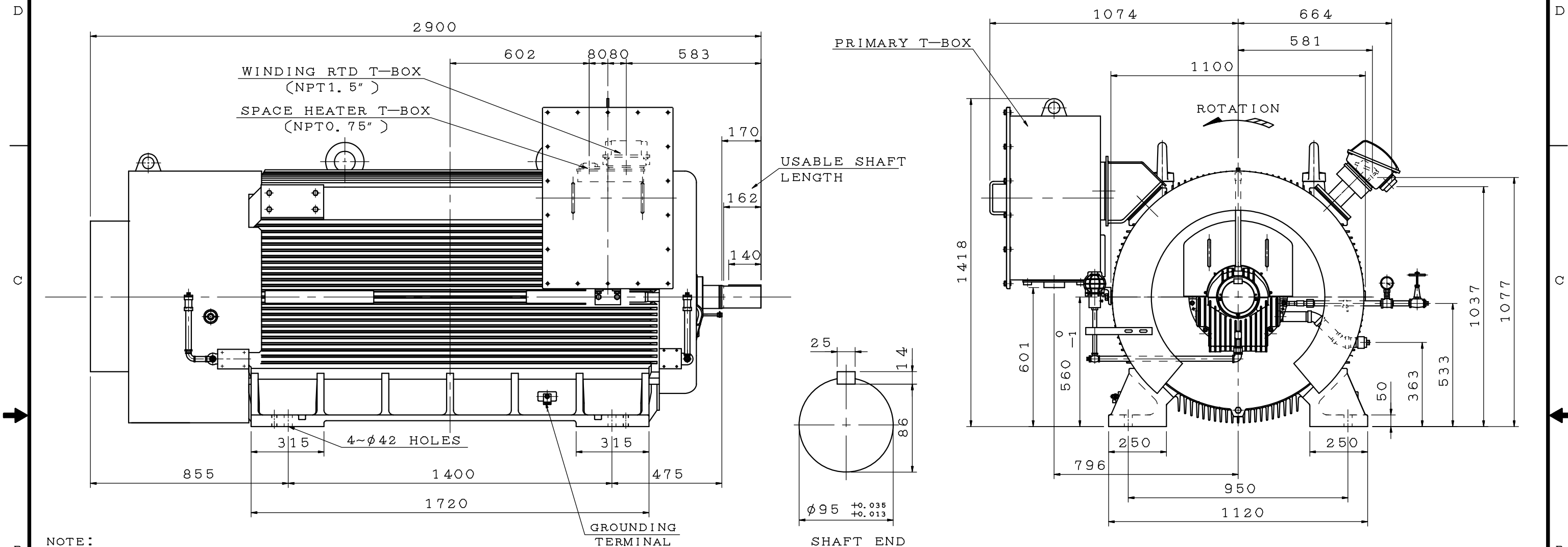


TYPE	OUTPUT		POLE	TIME RATING	VOLTAGE V	HZ	SYN. SPEED R. P. M
	HP.	KW.					
AFJH-S2	1500		2	CONT.	2300/4160	60	3600

TOTALLY ENCLOSED FAN-COOLED TYPE. SQUIRREL-CAGE ROTOR



- NOTE:
- DIMENSIONS IN MM
  - FRAME NO. 560CB
  - F CLASS INSULATION. S. F. 1.15
  - FOR DIRECT FLEXIBLE COUPLING
  - ENCLOSURE: IPW54
  - BEARING SIZE: DRIVE END 9S-100(UNINSULATED)  
OPP. DRIVE-END 9S-100(INSULATED)
  - THE NON-DRIVE END BEARING LINER(SHELL) IS INSULATED FROM THE HOUSING. METAL CONNECTIONS MADE TO THE BEARING SHELL MUST BE INSULATED TO PREVENT AN INSULATION SHORT CIRCUIT. METAL CONNECTIONS MADE TO THE HOUSING DO NOT NEED TO BE INSULATED.
  - BEARING LUBRICATION: SELF-LUBRICATION WITH PROVISION
    - OIL VISCOSITY: ISO VG32(140~160SSU AT 100°F)
    - OIL QUANTITY: 2.4L FOR EACH BEARING.
  - BEARING LUBRICATION: FORCE OIL LUBRICATION
    - OIL VISCOSITY: ISO VG32(140~160SSU AT 100°F).
    - OIL FLOW RATE: 1.9L/MIN (TOTAL).
    - OIL INLET PRESSURE: 1.0 KG/CM<sup>2</sup>.
    - OIL INLET TEMPERATURE: 48°C, MAX.
    - OIL INLET ORIFICE: 2.0MM FOR EACH BEARING.
  - SLEEVE TYPE BEARING, AXIAL THRUST LOAD NOT ALLOWED
  - THE MOTOR ENDPLAY IS ±7MM. A LIMITED END FLOAT TYPE COUPLING IS REQUIRED TO LIMIT ENDPLAY TO ±2.4MM.

- WITH SPACE HEATER: 1φ 120V 500W.
- WITH WINDING RTD: PT 100Ω/0°C 6PCS.
- PROVISION FOR BEARING RTD
- APPROX. WEIGHT: 7800KGS

DATE		OUTLINE DIMENSIONS	
		3-PHASE INDUCTION MOTOR	
DWN.	C. WANG	NOV.25.2010	
CHKD.	B. LIN	NOV.29.2010	
APPD.	B. YANG	NOV.29.2010	
<b>TECO</b> Westinghouse		DWG NO.	REV:00
		4A040C559	