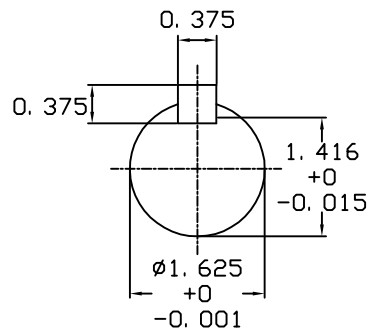
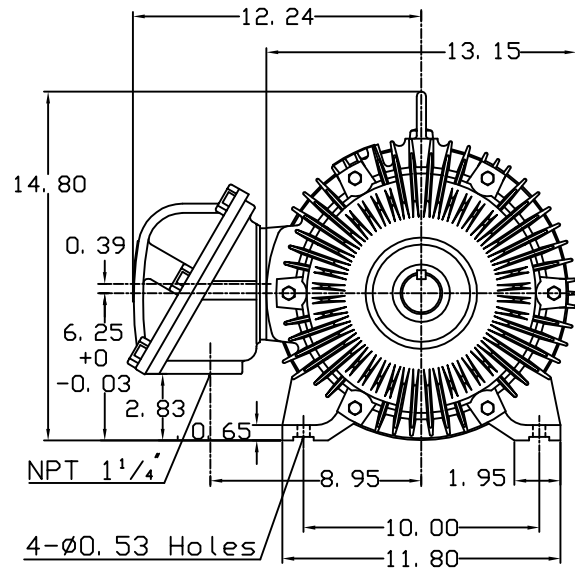
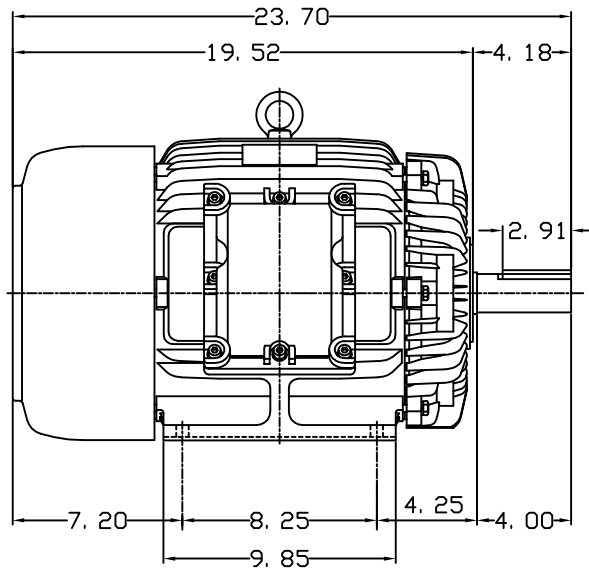


| | | |
|-----------------------|---|-----------------------|
| DATE MAY 18, 2011 | OUTLINE DIMENSIONS 3-PHASE INDUCTION MOTOR | MOTOR TYPE: AEHHXU |
| CATALOG NO. XP7/56 | | FRAME NO. 254T |

| | | | | | |
|------|-----|-----|----|---------|-------------------|
| Pole | HP | KW | Hz | VOLT | Syn. Speed RPM |
| 6 | 7.5 | 5.6 | 60 | 230/460 | 1200 |

| | | | | | |
|-----|--------|--------------|---------------|------------|-------------|
| Ins | Rating | Dimension in | Approx Weight | Bearings | |
| F | CONT. | inches | 330 lbs. | DE: 6309ZZ | NDE: 6307ZZ |

Totally Enclosed Fan-Cooled Type. Squirrel-Cage Rotor.



NOTE:

- EXPLOSION PROOF:
CLASS I GROUP C, D AND
CLASS II GROUP E, F, G.



| | | |
|-------|-------------|----------|
| DWN. | J. H. LIANG | 12-04-98 |
| CHKD. | C. S. LO | 12-10-98 |
| APPD. | Y. B. HUANG | 12-10-98 |

TECO Westinghouse

DWG NO.
31049M625210