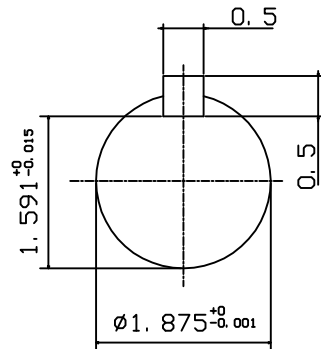
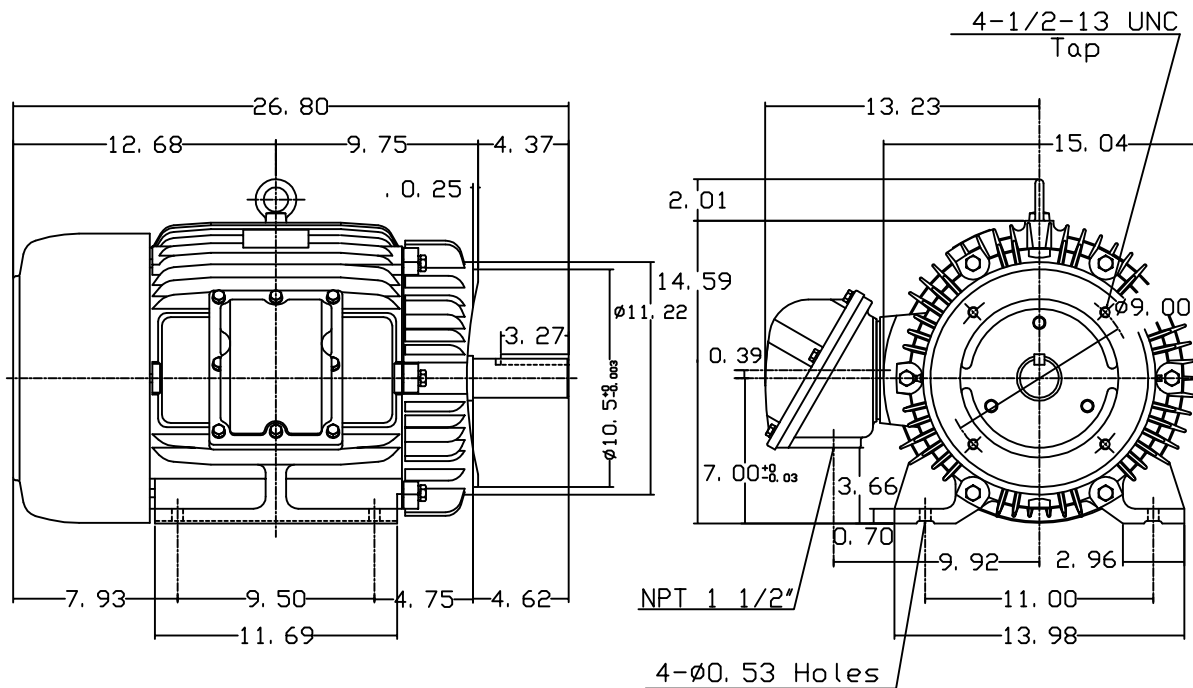


DATE SEPT 9, 2011	OUTLINE DIMENSIONS 3-PHASE INDUCTION MOTOR	MOTOR TYPE: AEHHXF
CATALOG NO. XPO254C		FRAME NO. 284TC

Pole	HP	KW	Hz	VOLT	Syn. Speed RPM
4	25	18.65	60	230/460	1800

Ins	Rating	Dimension in	Approx Weight	Bearings	
F	CONT.	inches	512 lbs.	DE: 6311ZZ	NDE: 6310ZZ

Totally Enclosed Fan Cooled Type. Squirrel-cage Rotor.



NOTE:
 1. EXPLOSION-PROOF:
 CLASS I GROUP D AND
 CLASS II GROUP E,F,G.

DWN.	J. H. LIANG	11-30-98	TECO Westinghouse	DWG NO.	31049M627181
CHKD.	C. H. KAO	12-26-98			
APPD.	Y. B. HUANG	12-26-98			