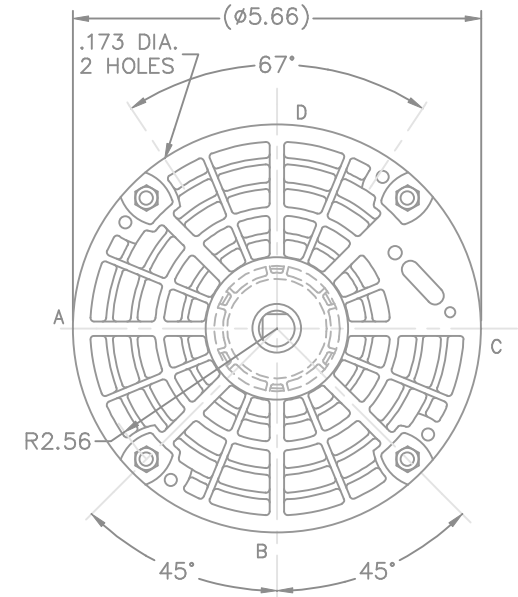
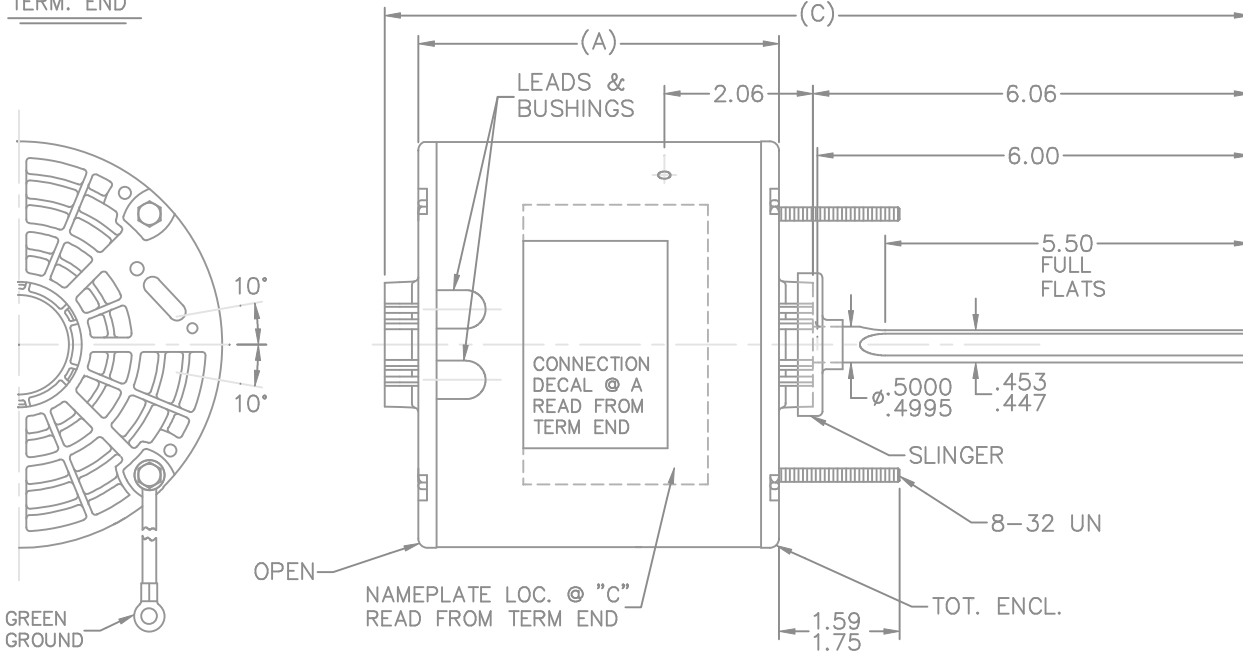


TERM. END



DASH	FRAME	C	A
400	48Y	11.44	4.50
425	48Y	11.69	4.75
450	48Y	11.94	5.00
500	48Y	12.44	5.50

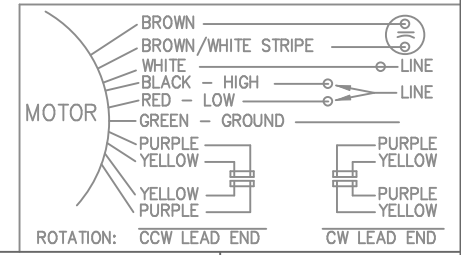
LEAD DESCRIPTION:

1 BLACK, 1 RED & 1 WHITE LEAD WITH .50 BARE WIRE STRIP 30.00" LONG.

2 BROWN CAPACITOR LEADS WITH .25 FLAG-TYPE QUICK CONNECTS 30.00" LONG BROWN WITH WHITE MARK IS COMMON TO WHITE LEAD.

REVERSING LEADS ARE MOLDED INTO MATING PULL APART PLUGS 1 PURPLE, AND 1 YELLOW PER PLUG 5.00" LONG.

GREEN GROUND LEAD WITH TERM. FOR #10 SCREW 12.00" LONG.



NO.	REVISION	BY & DATE	CHK	TOLERANCES UNLESS SPECIFIED	
				DEC.	INCHES
7	UPDATED DRAWING	TJW 04/02/2007	.X	±.1	
6	REDRAWN IN AUTOCAD	TAT 07-22-2004	ML	.XX	±.03
5	SHORTENED LEAD LENGTHS CN21147	BLR 09-14-1995		.XXX	±.005
4	REDRAWN - STUD EXT. WAS 1.75/1.56 CN 6402	RM 08-28-1992		.XXXX	±.0005
				ANG	±7'30"



TITLE	OUTLINE
MAT'L.	
FINISH	

DRAWN	RM 08-28-1992
CHK	ML 08-28-1992
APPD	GK 08-28-1992
SCALE	3=8
REF	
FMF	
PREV	

THIS DRAWING IN DESIGN AND DETAIL IS OUR PROPERTY AND MUST NOT BE USED EXCEPT IN CONNECTION WITH OUR WORK ALL RIGHTS OF DESIGN AND INVENTION ARE RESERVED THIS IS AN ELECTRONICALLY GENERATED DOCUMENT - DO NOT SCALE THIS PRINT	RFP	CAD FILE	ss73920	SIZE	DRAWING NO.	PAGE	1 OF 1	REV.
	DIST	WP		A	SS73920			7