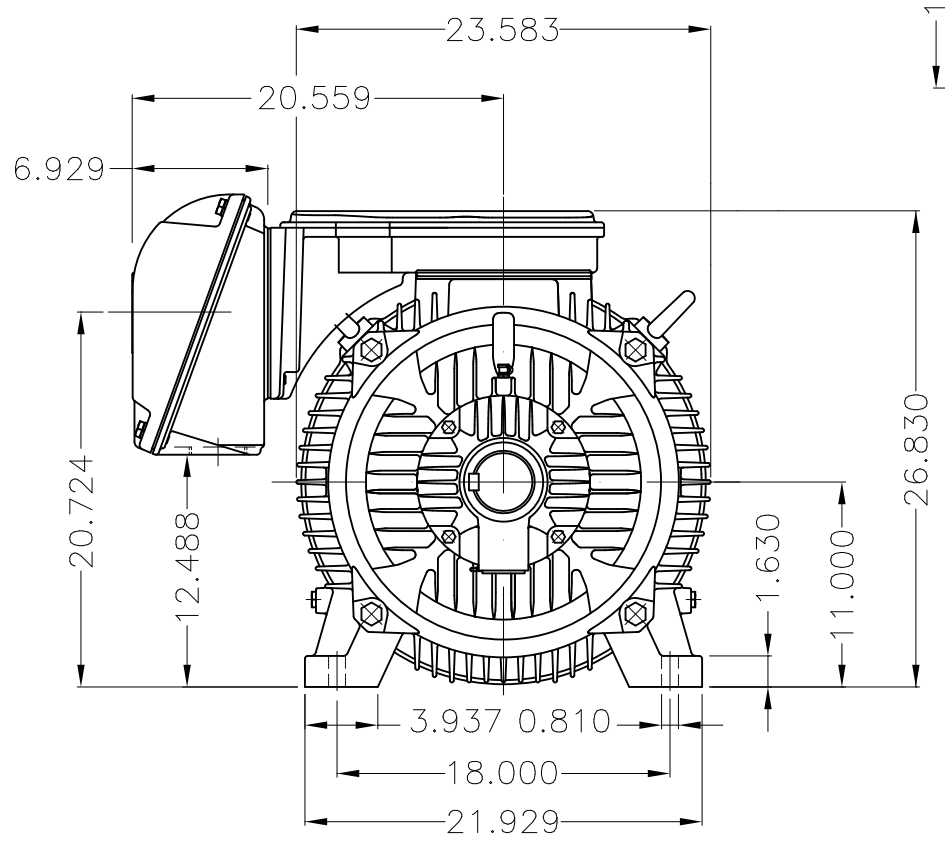


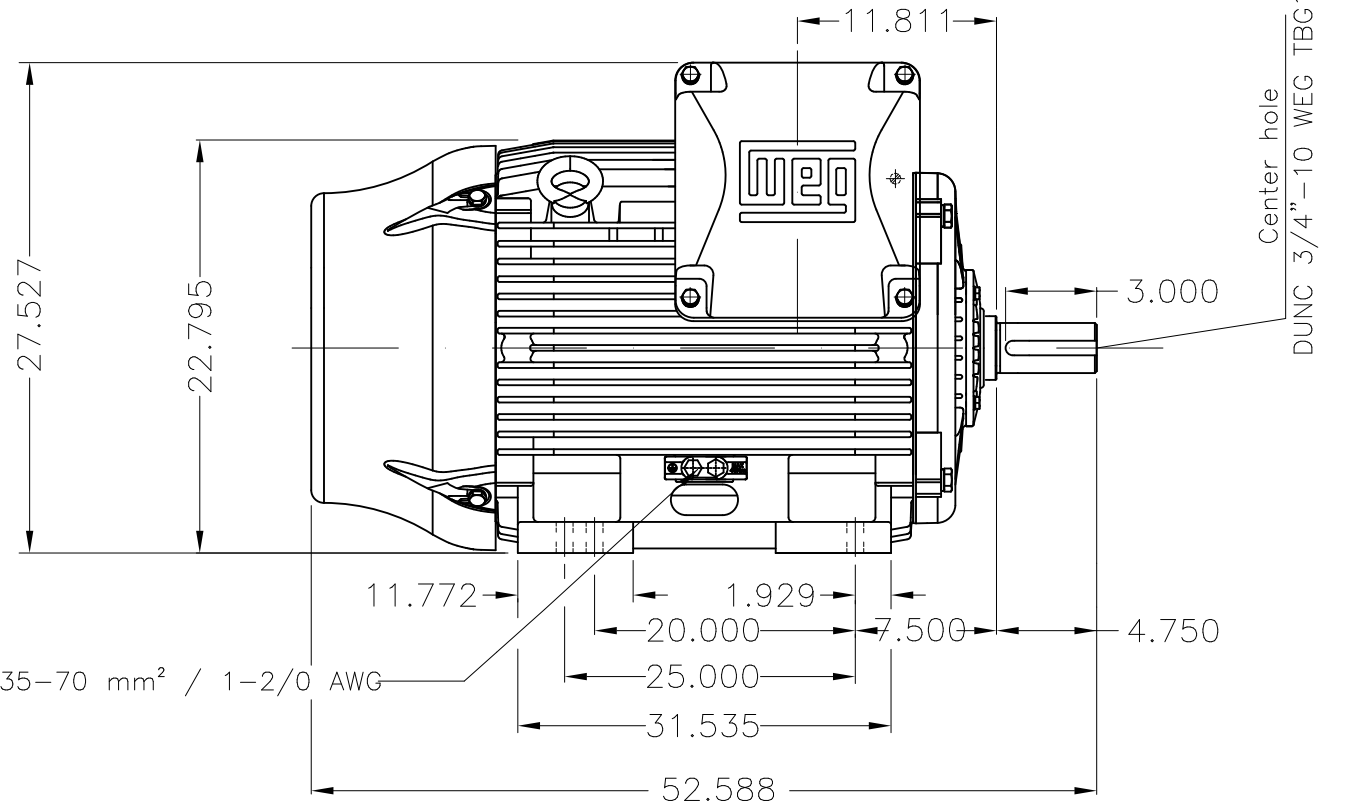
Dimensões em polegada
Dimensions in inches

THIS IS AN UPDATED REVISION, THE
PREVIOUS ONE MUST BE DISREGARDED.

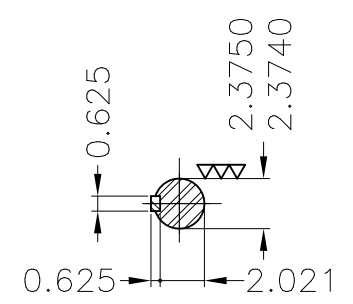


Main terminal box

Grounding for leads 35-70 mm² / 1-2/0 AWG



Grounding for leads 35-70 mm² / 1-2/0 AWG



DE Shaft End

Type test without inspector - 1 motor/lot
Color RAL 5009
Painting plan 203A
Mounting B3R(D)

ECM	LOC	SUMMARY OF MODIFICATIONS	EXECUTED	CHECKED	RELEASED	DATE	VER
EXECUTED	USERADMIN	THREE PHASE W22 MOTOR - HIGH EFF					
CHECKED		FRAME 447/9TS IP55 TEFC					
RELEASED		WEG code: 12345066					
REL DT	24.07.2017	WMO Jaragua do Sul	Product Engineering	SHEET	1 / 1		

250 HP 02 Poles 50 Hz

A

