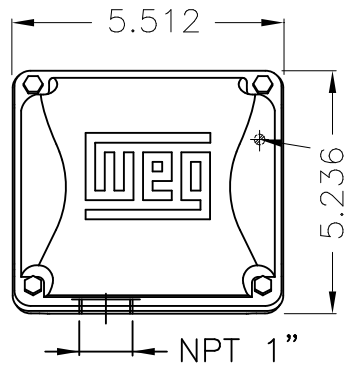
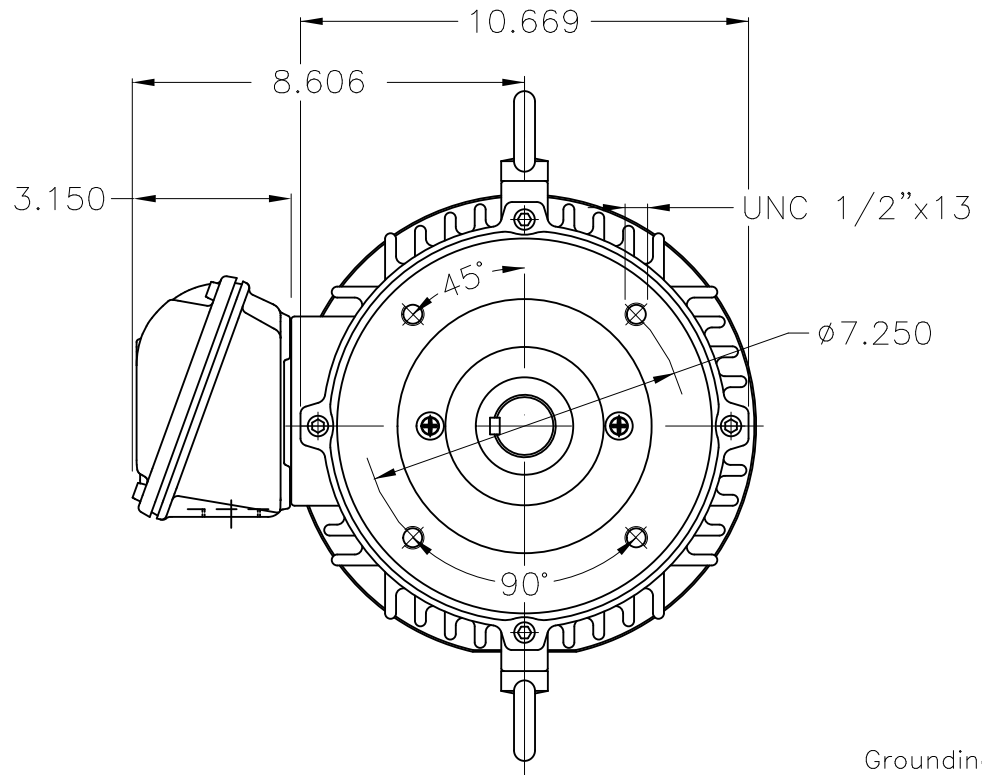


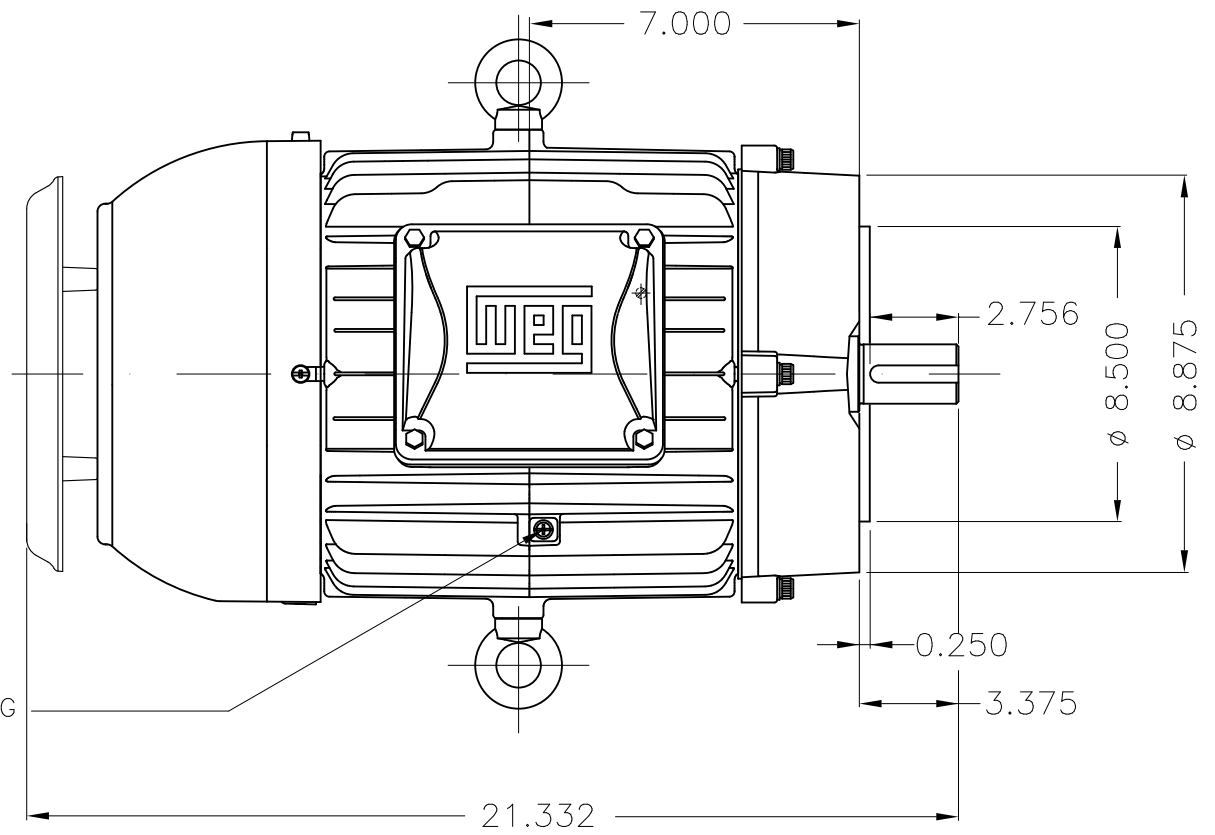
Dimensões em polegada  
Dimensions in inches

THIS IS AN UPDATED REVISION, THE  
PREVIOUS ONE MUST BE DISREGARDED.

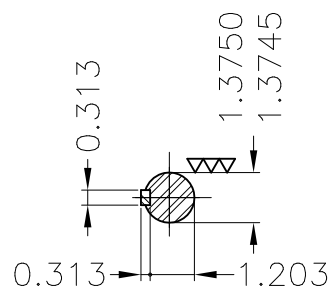


Main terminal box

Grounding for leads 2-10 mm<sup>2</sup> / 14-7 AWG

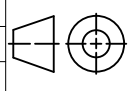


Grounding for leads 2-10 mm<sup>2</sup> / 14-7 AWG



DE Shaft End

Color RAL 5009  
Painting plan 202E  
Mounting V18

ECM	LOC	SUMMARY OF MODIFICATIONS			EXECUTED	CHECKED	RELEASED	DATE	VER
EXECUTED	USERADMIN		THREE PH. W22 NEMA P.EFF MOTOR IEEEE841						
CHECKED			FRAME 215TC IP55 TEFC						
RELEASED			WEG code: 12822409						
REL DT	24.07.2017	WMO	Jaragua do Sul	Product Engineering	SHEET	1 / 1			

10 HP    04 Poles    60Hz

A

