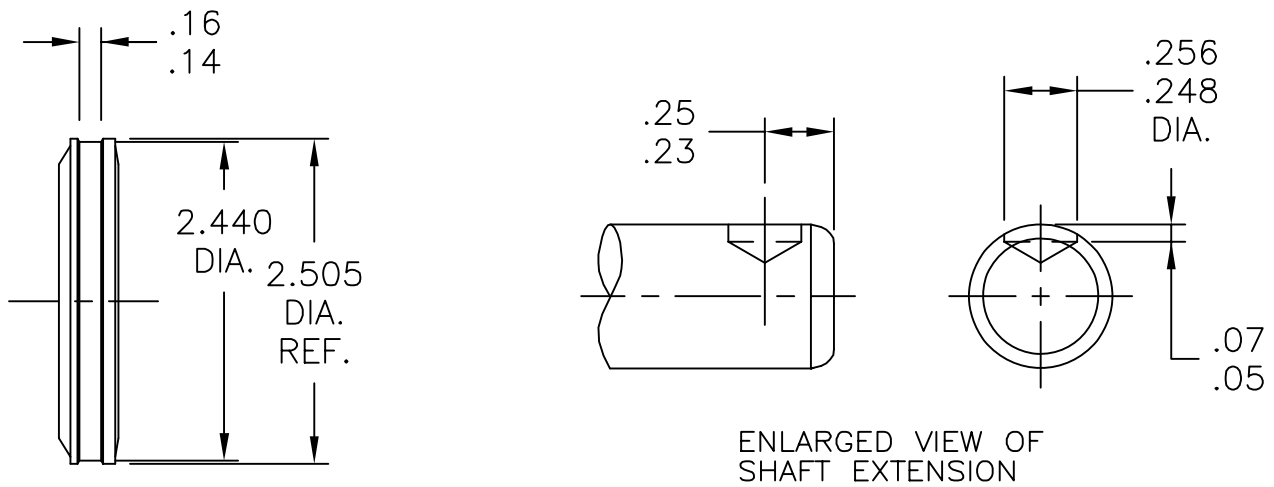
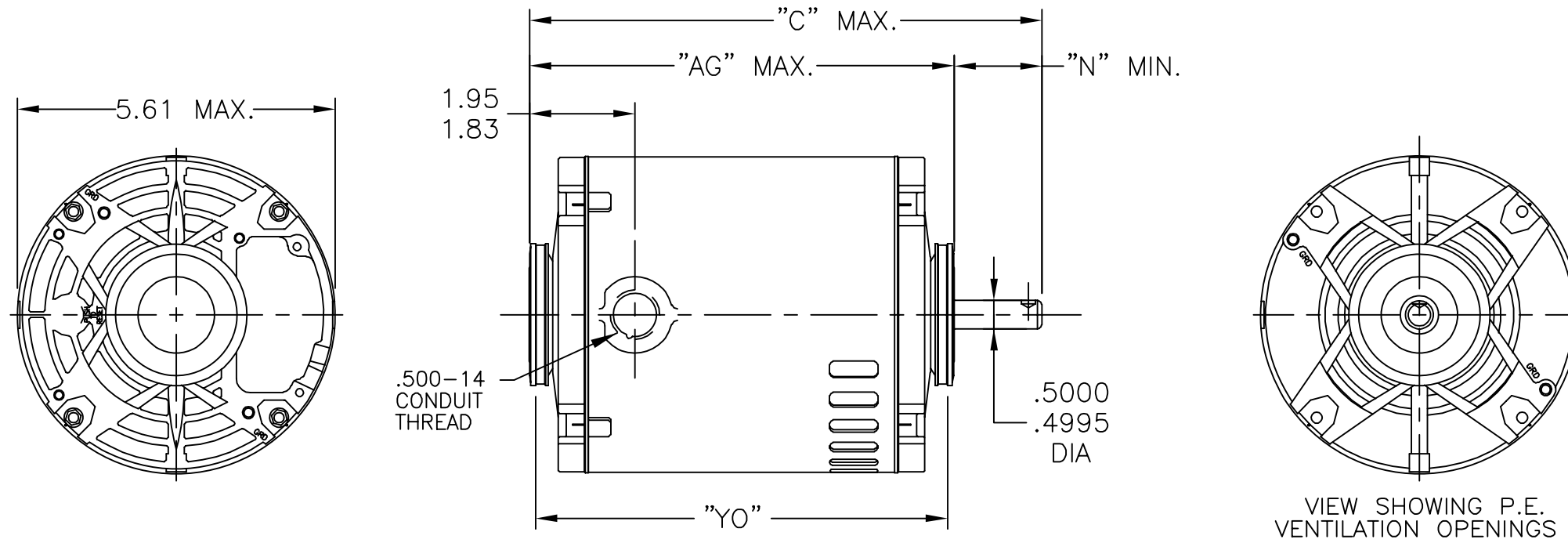


52A109862



2	KH	37	48Y	9.41	8.77	8.52 8.42	0.52	6.62
1	KH	36	48Y	9.01	8.37	8.12 8.02	0.52	6.22
P	TYPE	RBC SIZE	NEMA FRAME	"C"	"AG"	"Y0"	"N"	SHL.LGTH REF.

				TOLERANCES UNLESS SPECIFIED		<b>REGAL-BELOIT CORPORATION</b>		DRAWN MADHU 12/15/06	
				DEC.	INCHES			CHK	
				.X	±.1			APPD	
				.XX	±.03	TITLE OUTLINE		SCALE NTS	
2	NO CHGS. P2D CONV. PER NMR-0065625/ECO-0058756			KR	09/02/14	PKG	.XXX	±.005	REF
1	CHANGES MADE AS PER ISAAC 06-0214			PMB	01/31/06		.XXXX	±.0005	FMF
NO.	REVISION			BY & DATE	CHK	ANG	±7'30"	FINISH	PREV
THIS DRAWING IN DESIGN AND DETAIL IS OUR PROPERTY AND MUST NOT BE USED EXCEPT IN CONNECTION WITH OUR WORK ALL RIGHTS OF DESIGN AND INVENTION ARE RESERVED THIS IS AN ELECTRONICALLY GENERATED DOCUMENT - DO NOT SCALE THIS PRINT				RFP	CAD FILE 52A109862			SIZE	DRAWING NO. PAGE 1 OF 1 REV.
				DIST	WP			A	52A109862 2