

# Product Information Packet

November 7, 2016

Data shown is for the current revision model #. Ensure your nameplate model # matches.

<b>Model Number:</b>	<b>5KS254ATE305A</b>
<b>Catalog Number:</b>	<b>E7013</b>
<b>Instruction Manual:</b>	GEI-M1023
<b>Connection Diagram:</b>	GEM2034E-FIG10
<b>Outline Drawing:</b>	358B6216AA

Accessory Connection Diagrams			
<b>Bearing Thermocouple:</b>	None	<b>Heater:</b>	None
<b>RTD:</b>	None	<b>Thermistor:</b>	None
<b>Thermostat:</b>	None	<b>Winding Thermocouple:</b>	None
<b>Bearing RTD:</b>	None		

Table of Contents	
Specification	01
Performance Characteristics	02
Outline Drawing	03
Connection Drawing(s)	04

**Marks:**

<b>MODEL NUMBER:</b>	<b>5KS254ATE305A</b>	<b>Estimated Weight:</b>	250 Lbs
<b>Outline Drawing:</b>	358B6216AA	<b>Time Rating:</b>	CONT
<b>Connection Diagram:</b>	GEM2034E-FIG10	<b>Enclosure:</b>	DP
<b>Instruction Book:</b>	GEI-M1023	<b>Encl Construction:</b>	OPEN
<b>Design Code:</b>	25AD3007A	<b>Ambient Max(°C):</b>	40
<b>Type:</b>	KS	<b>Alt Ambient Max(°C):</b>	--
<b>Frame:</b>	254T	<b>Insulation Class:</b>	F
<b>Phases:</b>	3	<b>NEMA Design:</b>	A
<b>Poles:</b>	6	<b>Nominal Efficiency:</b>	90.2 %
<b>Output Power:</b>	7.5HP 5.6KW	<b>Guaranteed Efficiency:</b>	88.5
<b>RPM:</b>	1180	<b>3/4 Load Efficiency:</b>	92.4
<b>Voltage:</b>	230/460	<b>KVA Code:</b>	J
<b>Hertz:</b>	60	<b>Max KVAR:</b>	3.5
<b>Amps - FL:</b>	20.4/10.2	<b>Power Factor:</b>	76
<b>Service Factor:</b>	1.15	<b>Bearing - DE:</b>	6310ZZ
<b>Alt Service Factor:</b>	--	<b>Bearing - ODE:</b>	6208ZZ

Enclosure is Dripproof

---

**Stamped Nameplate Notes:****Additional Information:**

6 POLE DP  
 LRA:144.4/72.2  
 NO. OF MOTOR LEADS: 12  
 CONDUIT BOX VOLUME (IN<sup>3</sup>): 110.9  
 CONDUIT BOX MTL: STAMPED STEEL  
 GREASE TYPE: SHELL ALVANIA R3 LITHIUM GREASE  
 USABLE AT 200V @ 7.5HP, 22 AMPS @ 1.0SF  
 50 HZ DATA: 7.5 HP, 200/400V, 23/11.5 AMPS @ 1.0SF, 975 RPM  
 DMK, 06/04, UPDATED 11/2004  
 INVERTER DUTY PER NEMA MG1 PART 31  
 FOR VARIABLE TORQUE LOADS

**Performance Characteristics**

1st Winding 1st Connection

**Design: 25AD3007A**

Marks:

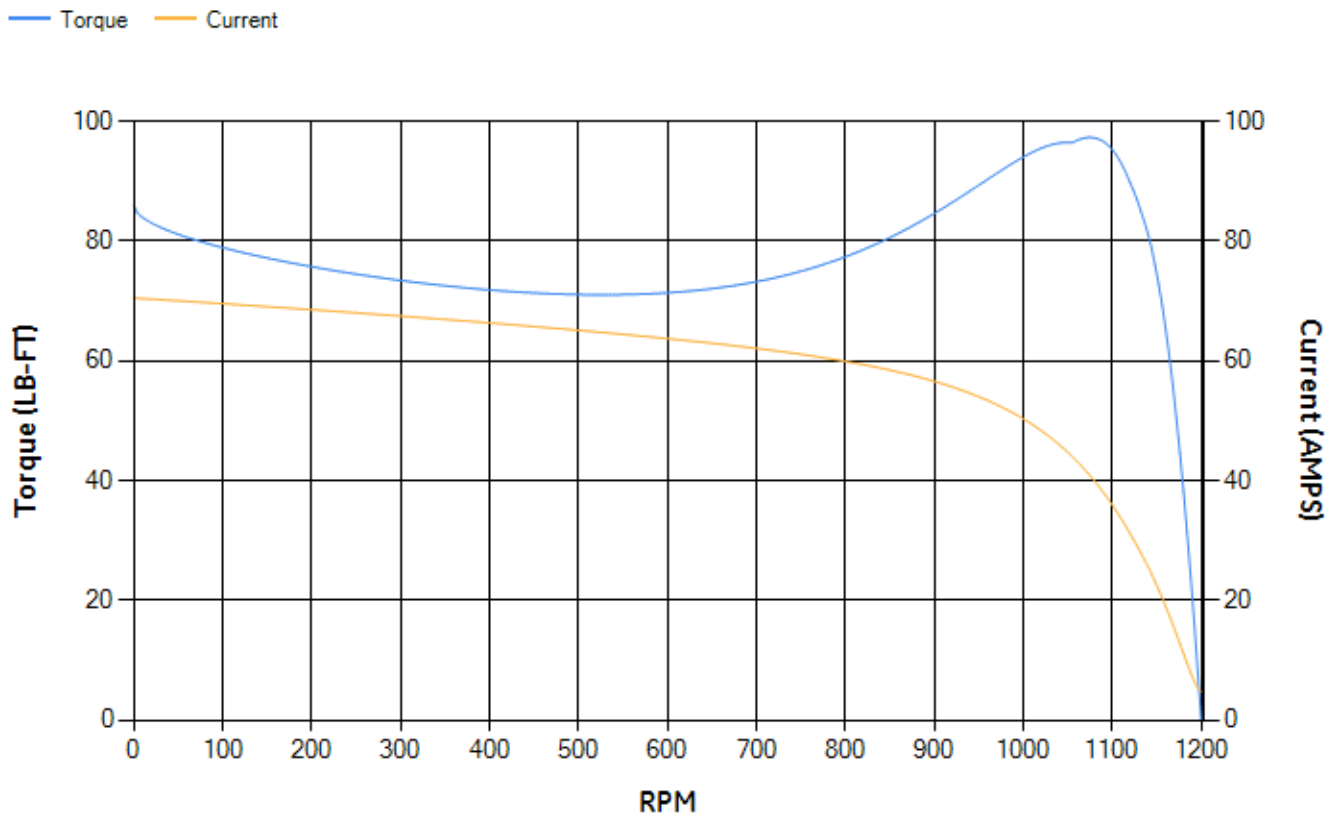
LOAD %	125.0	115.0	100.0	75.0	50.0	25.0	0.0
% EFF	91.89	92.13	92.59	92.4	91.34	86.59	0.00
% PF	80.36	79.29	77.04	70.78	59.11	37.96	5.11
AMPS	11.88	11.05	9.84	8.05	6.5	5.34	4.75

<b>TORQ(FL)#FT</b>	33.33	<b>TORQ(LR)%FL</b>	258.15	<b>TORQ(BD)%FL</b>	287.81
<b>AMPS(LR)</b>	70.48	<b>PF AT START</b>	0.39		

This motor is capable of two cold or one hot start with a maximum connected load inertia of 1099 Lb-Ft Sq (46.27 Kg-meter Sq)at 100% voltage, where the load torque varies with the square of the speed. Acceleration time with maximum inertia and the above load type is 64 seconds. Safe stall time at 100% voltage is 151 seconds cold, 130 seconds hot. Rotor inertia is 2.1 Lb-Ft Sq (0.09 Kg-meter Sq).

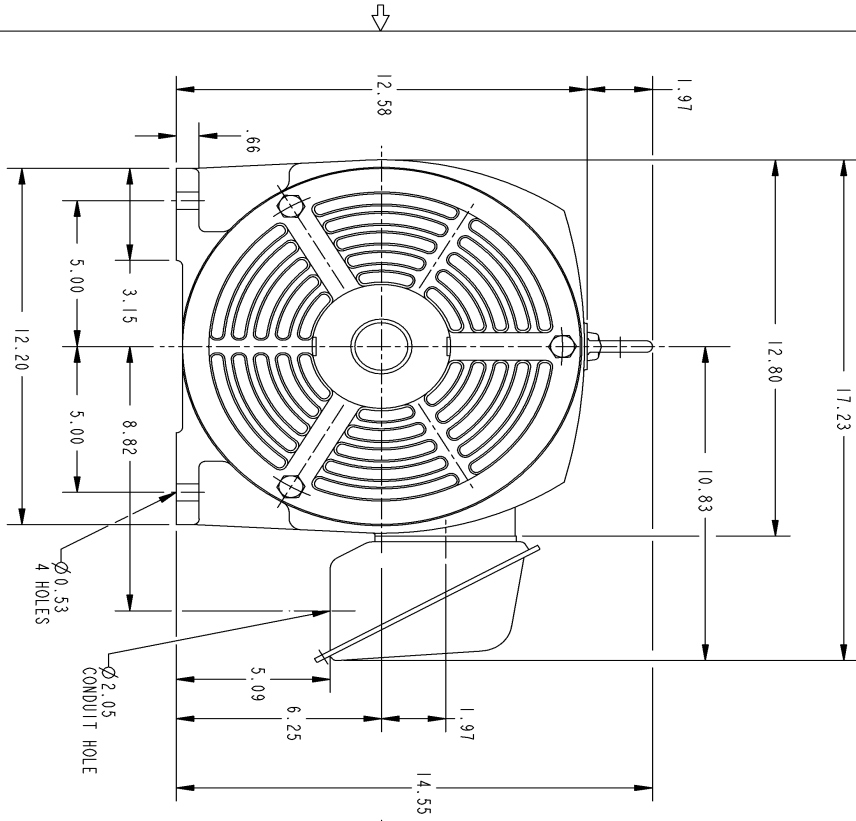
<b>Open Circuit A-C:</b>	0.327	<b>Short Circuit D-C:</b>	0.015
<b>Short Circuit A-C:</b>	0.02	<b>X/R Ratio:</b>	5.664
<b>Stator Slots:</b>	72	<b>Rotor Slots:</b>	60

**Speed Torque Current Curve (First Connection, First Speed)**



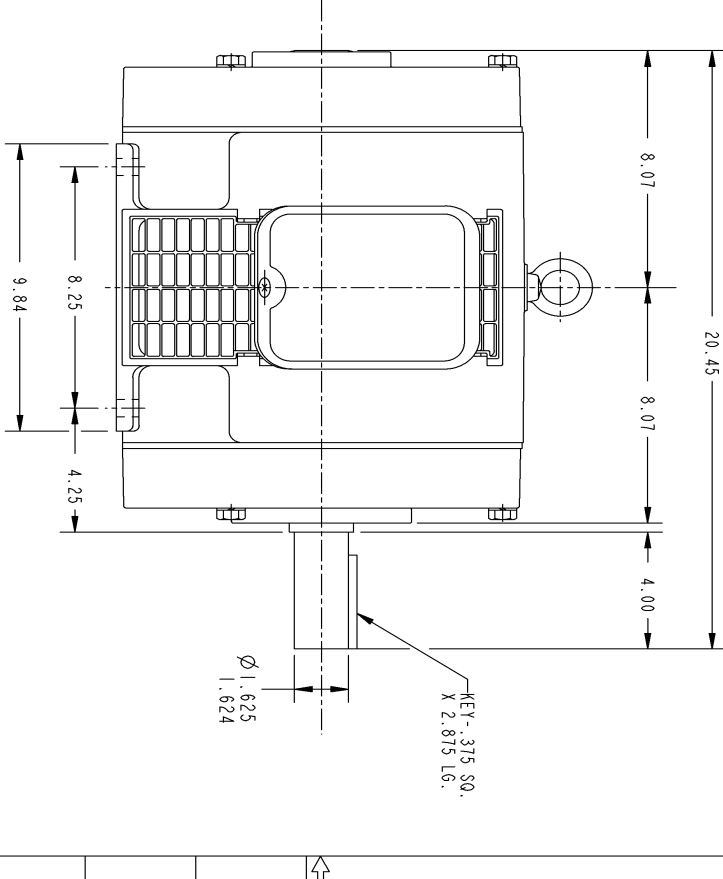
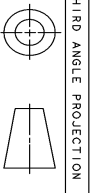
NAME:501452442 OBJECT:358B6216AA DATE:23-May-07 23:51:25

Marks:



NOTES :

1. CONDUIT BOX MAY BE PLACED WITH THE ENTRANCE DOWN, UP OR ON EITHER SIDE.
2. F-1 ASM AS SHOWN.
3. F-2 ASM - HAS CONDUIT BOX ON OPPOSITE SIDE.



THIS DRAWING IS THE PROPERTY OF GENERAL ELECTRIC COMPANY (GEC) AND CONTAINS PROPRIETARY INFORMATION. IT IS TO BE USED ONLY FOR THE PURPOSES SPECIFIED IN THE ORDER. IT IS TO BE KEPT IN CONFIDENTIALITY AND NOT TO BE REPRODUCED OR TRANSMITTED IN ANY FORM OR BY ANY MEANS, ELECTRONIC OR MECHANICAL, INCLUDING PHOTOCOPYING, RECORDING, OR BY ANY INFORMATION STORAGE AND RETRIEVAL SYSTEM. THIS DRAWING SHALL BE RETURNED TO GEC UPON ITS REQUEST AND NOT BE REPRODUCED OR TRANSMITTED IN ANY FORM OR BY ANY MEANS, ELECTRONIC OR MECHANICAL, INCLUDING PHOTOCOPYING, RECORDING, OR BY ANY INFORMATION STORAGE AND RETRIEVAL SYSTEM.

SIZE: B DRAWING NO: 358B6216AA

GE PROPRIETARY INFORMATION

REVISIONS

REV.	DESCRIPTION	DATE	APPROVED
1	ISAAC 07-0770	05/02/07	R. KOHNE

UNLESS OTHERWISE SPECIFIED:		SIGNATURES		DATE	
DIMENSIONS ARE IN INCHES		DRWN	P. RAJU	03/27/03	
TOLERANCE ON: 2 PL. DECIMALS ± 3 PL. DECIMALS ± ANGLES ± 1°		CHECKED	PRABHAKAR	03/27/03	
MATERIAL:		ISSUED	PRABHAKAR	03/27/03	
APPLIED PRACTICES		<p><b>GENERAL ELECTRIC COMPANY</b> Fort Wayne, Indiana</p> <p><b>OUTLINE</b> 254T - OPEN DRIP PROOF</p> <p>358B6216AA</p>			
SCALE: DRAWING SCALE					
DISTRIBUTION:		SIZE: DRAWING	B	REV.	1
		SHEET 1 OF 1			

Marks:

**Connection Diagram**  
**GEM2034E-FIG10**

