

DATE  
APRIL 30, 2004  
CATALOG NO.  
XV0014C

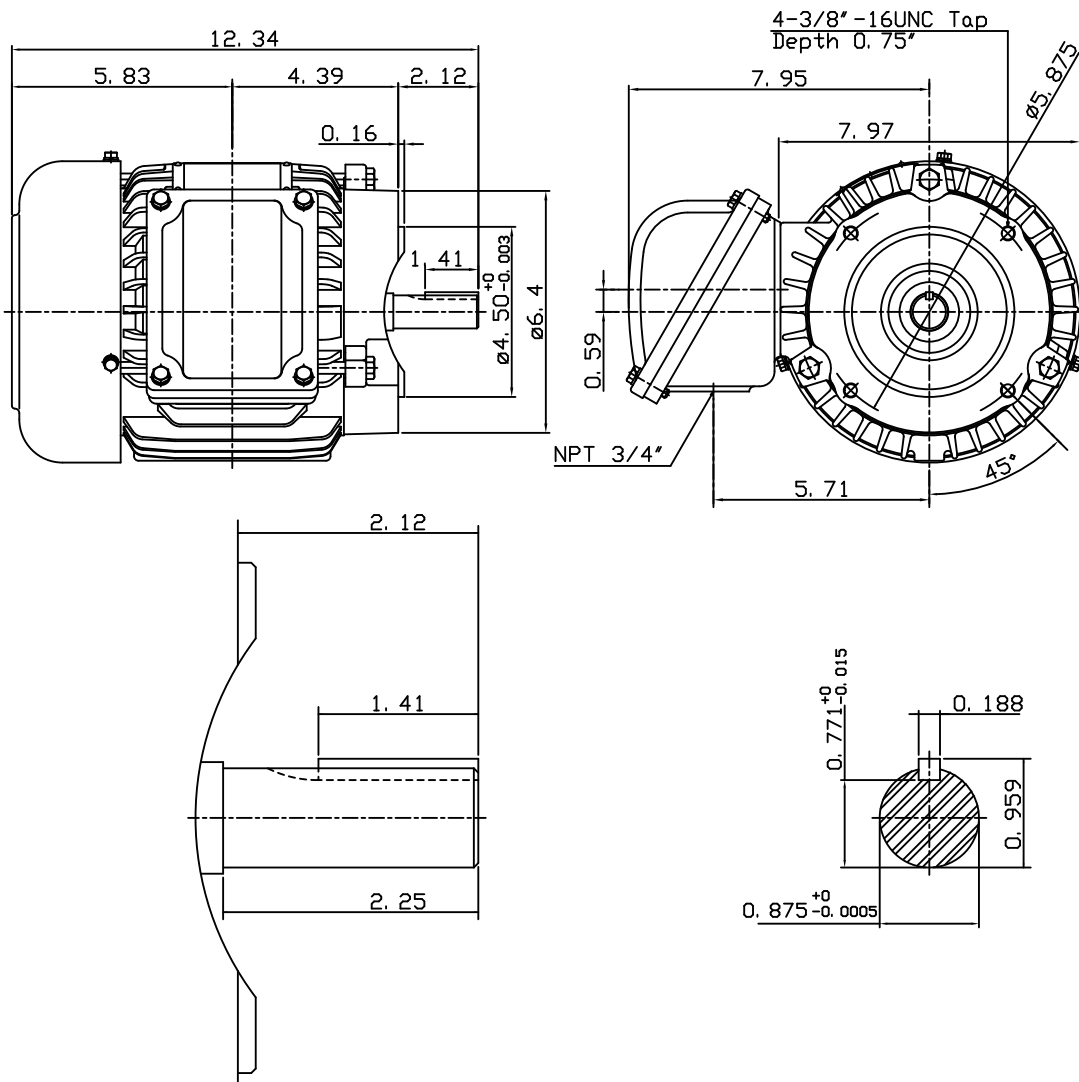
OUTLINE DIMENSIONS  
3-PHASE INDUCTION MOTOR

MOTOR TYPE:  
AEUHXF  
FRAME NO. 143TC

| Pole | HP | KW  | Hz | VOLT    | Syn. Speed<br>RPM |
|------|----|-----|----|---------|-------------------|
| 4    | 1  | .75 | 60 | 230/460 | 1800              |

| Ins | Rating | Dimension in | Approx Weight | Bearings               |
|-----|--------|--------------|---------------|------------------------|
| F   | CONT.  | inches       | 90 lbs.       | DE: 6205ZZ NDE: 6205ZZ |

Totally Enclosed Fan-Cooled Type, Squirrel-Cage Rotor.



NOTE:  
1. EXPLOSION PROOF:  
CLASS I GROUP D AND  
CLASS II GROUP E, F, G.

|       |             |          |
|-------|-------------|----------|
| DWN.  | J. H. LIANG | 11-12-98 |
| CHKD. | C. S. LO    | 11-23-98 |
| APPD. | Y. B. HUANG | 11-23-98 |

TECO Westinghouse

DWG NO.  
31049U549000