

No reproduction of this drawing is allowed without written permission of WEG Motores

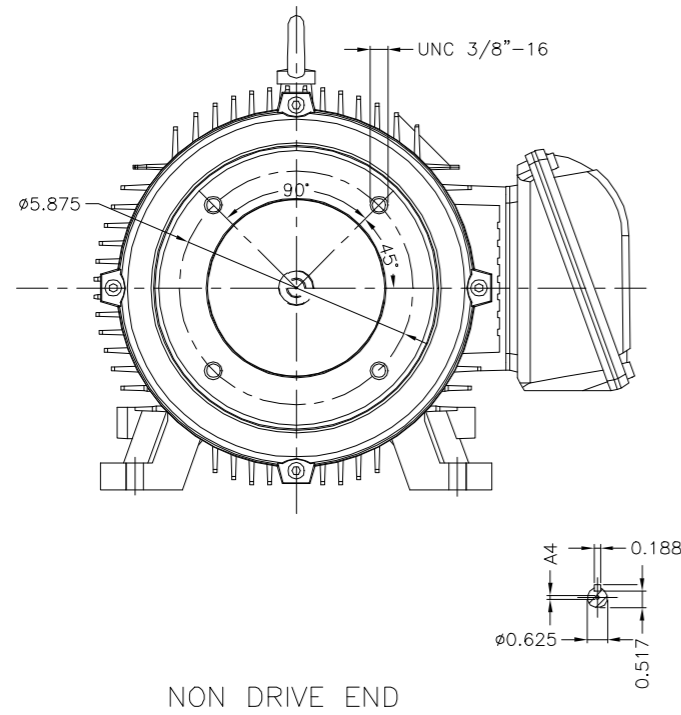
EIXO	
PADRÃO	
OPCIONAL	
ESPECIAL	X

Dimensões em polegadas  
Dimensions in inches

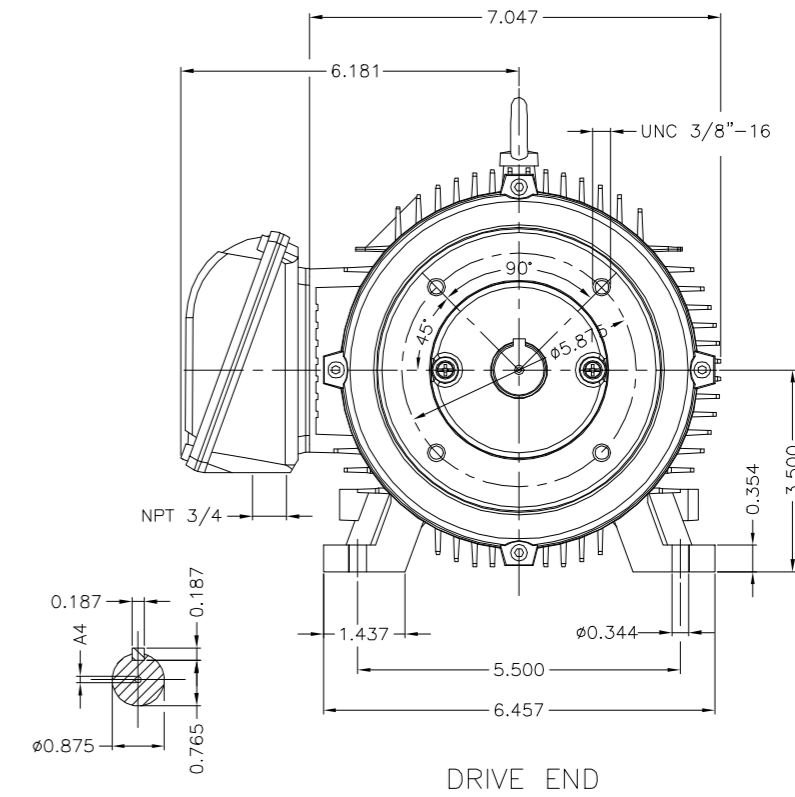
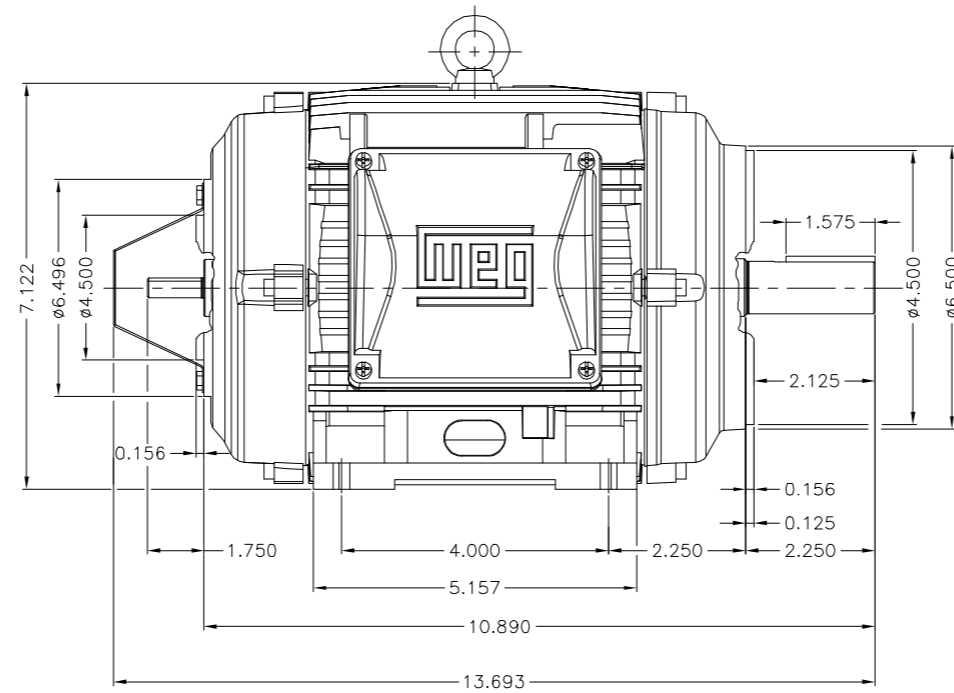
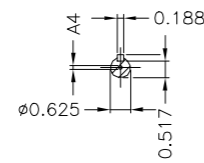
**PRELIMINARY DOCUMENT**

Not to be used for installation purposes.

THIS IS AN UPDATED REVISION, THE PREVIOUS ONE MUST BE DISREGARDED.



NON DRIVE END



DRIVE END

Sin ventilador / Without fan  
Sin deflectora / Without fan cover  
Anillo fijación del rodamiento / Bearing cap  
Plan de pintura 207A / Painting plan 207A  
Forma constructiva NEMA F-1 / Mounting NEMA F-1  
Forma constructiva B34R(D) / Mounting B34R(D)

**WEG ELECTRIC CORPORATION - WEC**

OV: 3030514
PC: Vector Duty

500001022610		DOCUMENTO NOVO	OLOPEZ		AZUE	09.04.2015	01
500000841966		DOCUMENTO NOVO	RALCANTARA		AZUE	06.01.2014	00
ECM	LOC	SUMMARY OF MODIFICATIONS	EXECUTED	CHECKED	RELEASED	DATE	VER
EXECUTED	RALCANTARA	THREE PHASE W22 MOTOR - NEMA PREMIUM EFF					
CHECKED		FRAME 143TC IP55					
RELEASED	AZUE						
REL DT	06.01.2014	WMX	HUEHUETOCA	INGENIERA DEL PRODUCTO			
			10002647753				
			000	01			
			SHEET 1 / 1				

1 HP    04 Poles    60Hz    413289593/0



UNCONTROLLED COPY

RELEASED

ZME A3