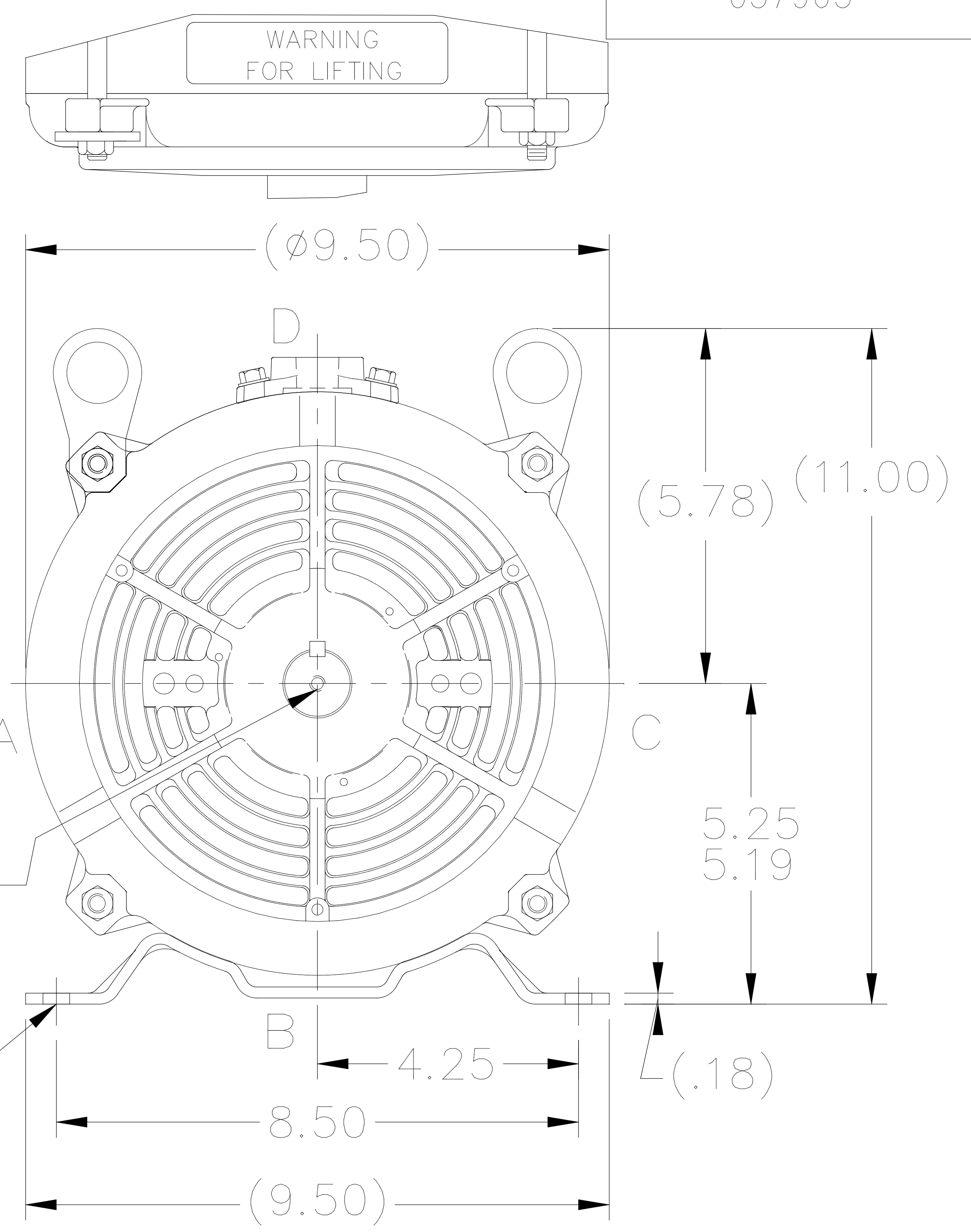
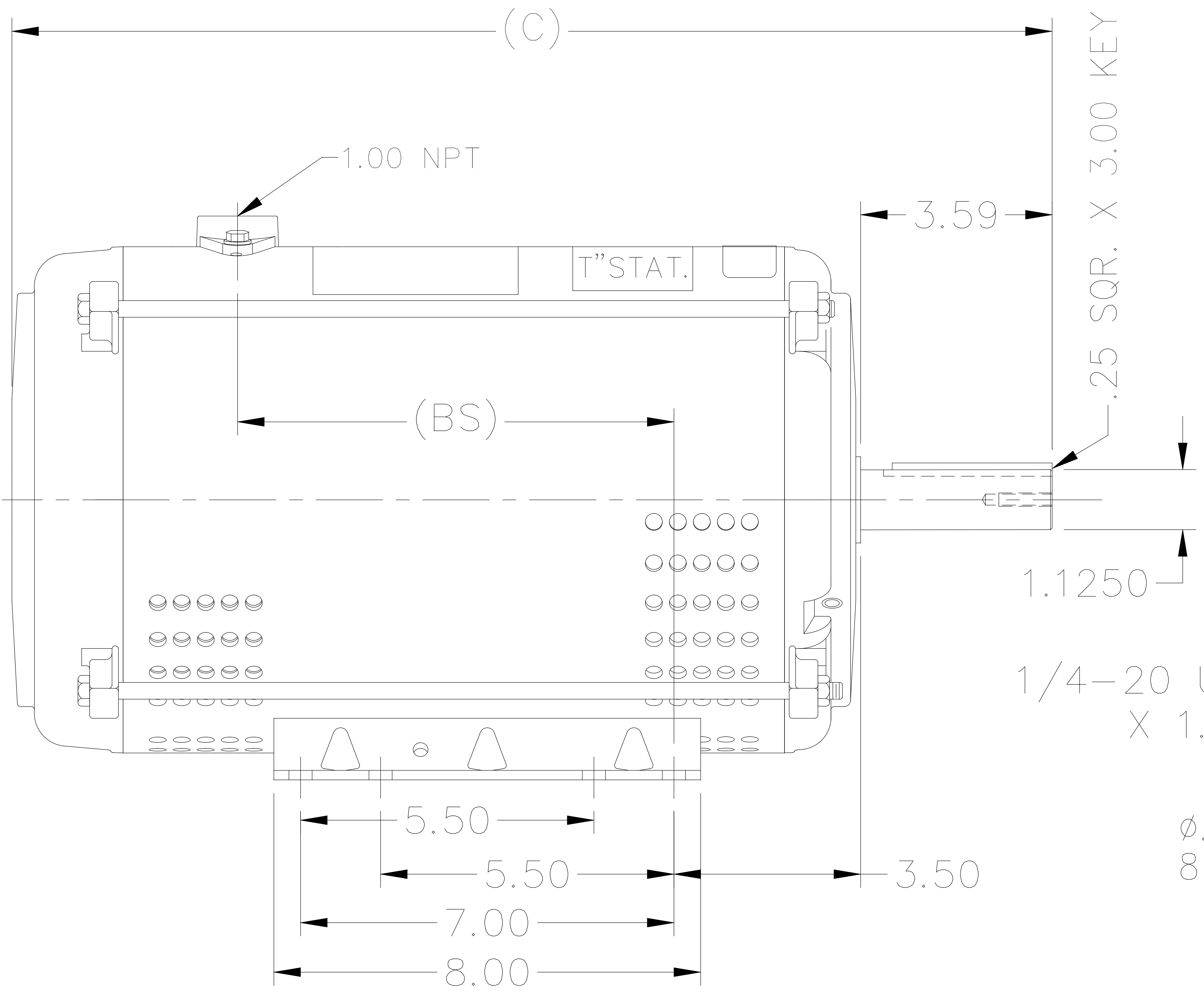


037963



NOTES:

- 1. NAMEPLATE TO BE READ FROM 'A' SIDE OF MOTOR.
- 2. SEE MODEL FOR LEAD LENGTH.

DASH	FR.	C	BS	MOUNTING
965	213T	15.91	5.43	
1115	213/15T	17.41	6.93	
1240	213/15T	18.66	8.18	

ORACLE REV	001
------------	-----

		TOLERANCES UNLESS SPECIFIED		LEESON	ELECTRIC MOTORS GEARMOTORS AND DRIVES	DRAWN LST 9/15/14			
		DEC.	INCHES			CHK	APPD	-	
		.X	±.1			SCALE	1=4		
B	1.00 NPT WAS RIGHT ANGLE CONNECTOR ECO 0106849	GWS	7/29/16	.XXX	±.005	TITLE OUTLINE	REF	-	
A	RELEASED PER ECO-0060551	LST	9/15/14	.XXXX	±.0005	MAT'L.	FMF	-	
NO.	REVISION	BY & DATE	CHK	ANG	±7'30"	FINISH	PREV		
THIS DRAWING IN DESIGN AND DETAIL IS OUR PROPERTY AND MUST NOT BE USED EXCEPT IN CONNECTION WITH OUR WORK ALL RIGHTS OF DESIGN AND INVENTION ARE RESERVED THIS IS AN ELECTRONICALLY GENERATED DOCUMENT - DO NOT SCALE THIS PRINT				RFP	CAD FILE 037963	SIZE	DRAWING NO.	PAGE OF	REV.
				DIST	LE	A	037963		B