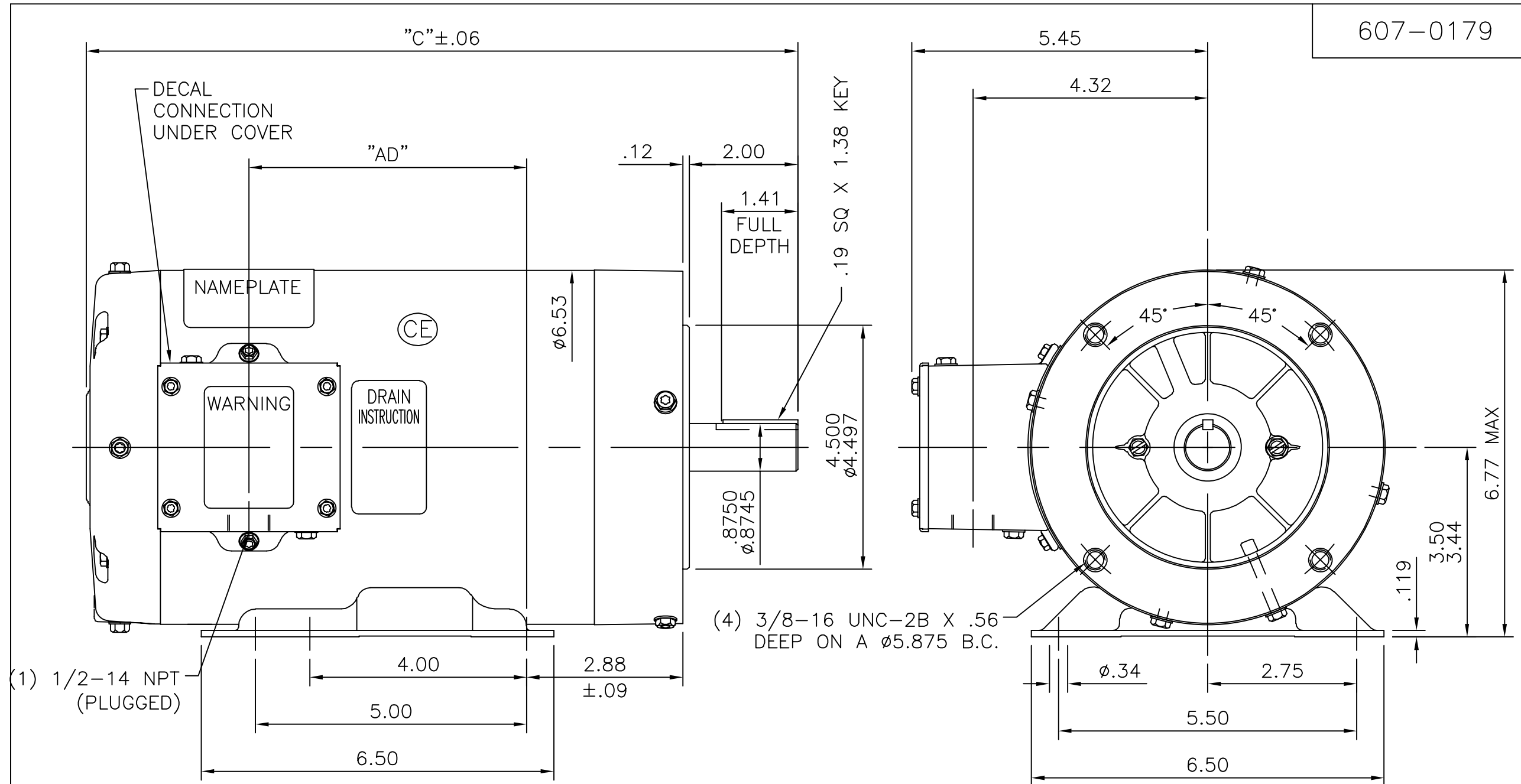


607-0179



(1) 1/2-14 NPT (PLUGGED)

(4) 3/8-16 UNC-2B X .56 DEEP ON A 0.5875 B.C.

SPECIAL FEATURES:

- 1) SHAFT SEAL & V-RING
- 2) PLUGGED DRAIN HOLES IN BOTH ENDBELLS & CONDUIT BOX
- 3) GASKETS THROUGHOUT
- 4) STAINLESS STEEL SHAFT, HARDWARE & NAMEPLATE

DASH NO.	"C"	"AD"
700	12.12	4.13
750	12.62	4.63
800	13.12	5.13

MAXIMUM FACE RUNOUT .004 T.I.R.  
 MAXIMUM PILOT ECCENTRICITY .004 T.I.R.  
 PERMISSIBLE SHAFT RUNOUT .002 T.I.R.

			TOLERANCES UNLESS SPECIFIED		MARATHON ELECTRIC	DRAWN	
			DEC.	INCHES		JD	
			.X	±.1			CHK
			.XX	±.03		TITLE	APPD
			.XXX	±.005		OUTLINE - 145TC FRAME TENV - RIGID "C"	SCALE 3=8
00	NEW RELEASE		.XXXX	±.0005	MAT'L.	REF 034965	
NO.	REVISION	BY & DATE	CHK	ANG ±1/2'	FINISH	FMF 145TTVR5030	
THIS DRAWING IN DESIGN AND DETAIL IS OUR PROPERTY AND MUST NOT BE USED EXCEPT IN CONNECTION WITH OUR WORK ALL RIGHTS OF DESIGN AND INVENTION ARE RESERVED THIS IS AN ELECTRONICALLY GENERATED DOCUMENT - DO NOT SCALE THIS PRINT			RFP		CAD FILE 607-0179	PREV	
					SIZE A	DRAWING NO. 607-0179	
						REV. 00	