

Product Information Packet

January 13, 2017

Data shown is for the current revision model #. Ensure your nameplate model # matches.

Model Number:	5KS286DAE5032B
Catalog Number:	V4208
Instruction Manual:	GEK-95353
Connection Diagram:	GEM2034E-FIG9
Outline Drawing:	4002B5828NMP5213

Accessory Connection Diagrams			
Bearing Thermocouple:	None	Heater:	3027JE-1C
RTD:	None	Thermistor:	None
Thermostat:	None	Winding Thermocouple:	None
Bearing RTD:	None		

Table of Contents

Specification	01
Performance Characteristics	02
Outline Drawing	03
Connection Drawing(s)	04
Spare parts	05



Marks:

MODEL NUMBER:	5KS286DAE5032B	Estimated Weight:	470 Lbs
Outline Drawing:	4002B5828NMP5213	Time Rating:	CONT
Connection Diagram:	GEM2034E-FIG9	Enclosure:	WPI
Instruction Book:	GEK-95353	Encl Construction:	OPEN
Design Code:	28BD0158A	Ambient Max(°C):	40
Type:	KS	Alt Ambient Max(°C):	--
Frame:	L286TP12	Insulation Class:	H
Phases:	3	NEMA Design:	B
Poles:	2	Nominal Efficiency:	92.4 %
Output Power:	40HP 29.6KW	Guaranteed Efficiency:	91.0
RPM:	3550	3/4 Load Efficiency:	92.9
Voltage:	230/460	KVA Code:	G
Hertz:	60	Max KVAR:	6.9
Amps - FL:	88.6/44.3	Power Factor:	91.5
Service Factor:	1.15	Bearing - DE:	7310
Alt Service Factor:	--	Bearing - ODE:	6210-2ZC3

Enclosure is Weather Protected One

Stamped Nameplate Notes:

PREMIUM EFFICIENT MOTOR
 NEMA ENCL WPI AND CSA ENCL DP
 ROT CCW FACING ODE LEAD/PH SEQUENCE 1-2-3/1-2-3
 HTR LDS HE1-HE2 115V 60W
 INVERTER DUTY PER NEMA MG1 PART 31
 ALTERNATE RATING FOR PWM CONTROL:
 1.0 SF VAR TORQUE RANGE 10-60 HZ
 SUITABLE FOR 30HP, 190/380V,
 50 HZ WITH 80.4/40.2AMPS AND 2960 RPM AT 1.0 SF

Additional Information:

2P - TP EXTN
 C/BOX 346 CU IN-2.00 NPT
 AUX LEADS EXIT WITH MOTOR LEADS
 RCF 5000 CPM, STATIC DEFLECTION .0014 INCHES &
 CENTER OF GRAVITY 12.00 INCHES
 HOLLOW SHAFT HIGH THRUST
 OIL RESISTANT SLEEVING ON LEADS
 BEARING LIFE 7445 HOURS AT 2500 LB THRUST
 BEARING LIFE 8760 HOURS AT 2363 LB THRUST
 BALL TYPE COUPLING
 COUPLING WILL BE ORDERED SEPARATELY
 DP STOCK 10/24/2016
 ENGINEERED BY: BALASUBRAMANIANH/BILURP

Performance Characteristics

1st Winding 1st Connection

Design: 28BD0158A

Marks:

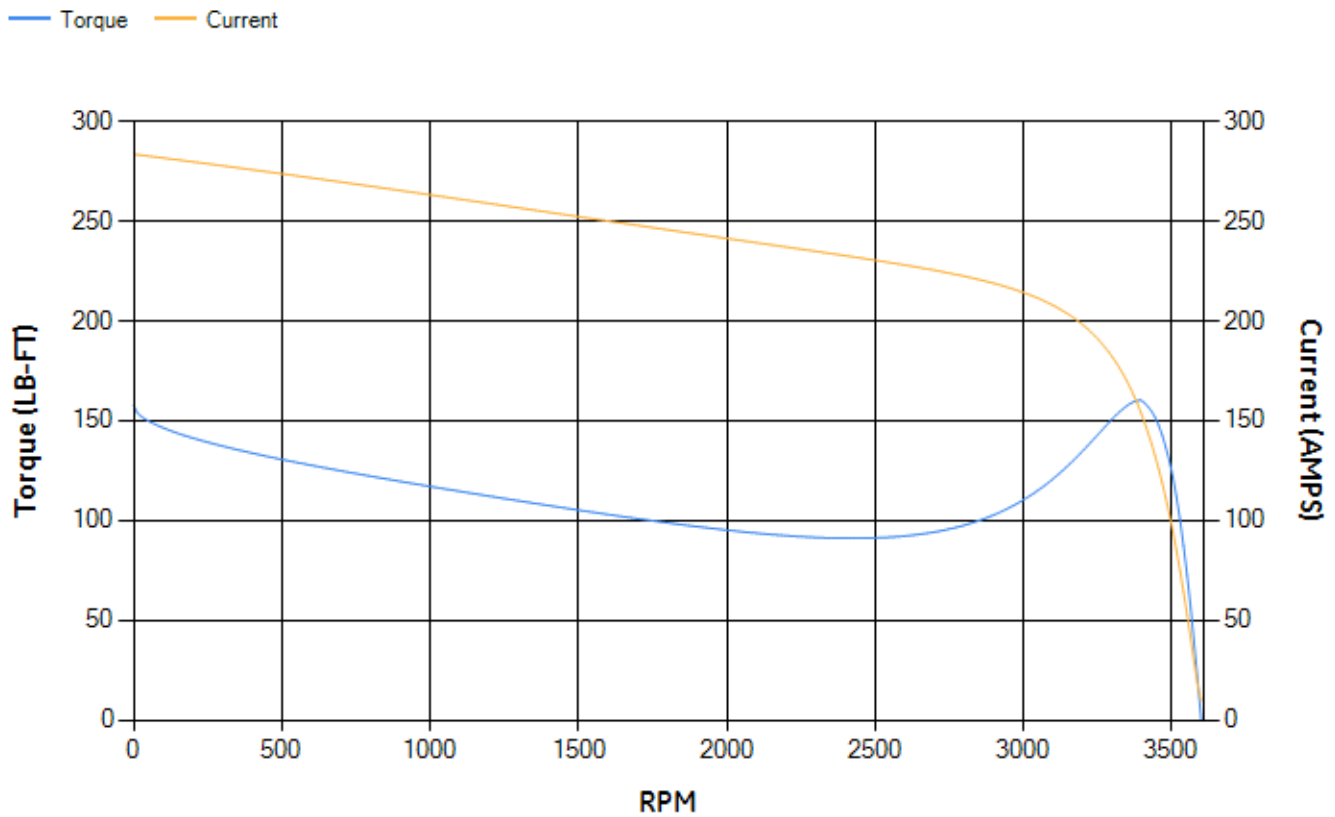
LOAD %	125.0	115.0	100.0	75.0	50.0	25.0	0.0
% EFF	91.25	91.72	92.5	92.9	92.65	89.52	0.00
% PF	91.16	91.38	91.43	90.41	86.38	71.27	9.68
AMPS	56.25	51.37	44.27	33.43	23.39	14.67	9.67

TORQ(FL)#FT	59.13	TORQ(LR)%FL	266.89	TORQ(BD)%FL	269.89
AMPS(LR)	283.53	PF AT START	0.41		

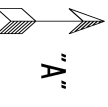
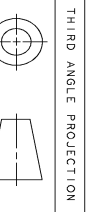
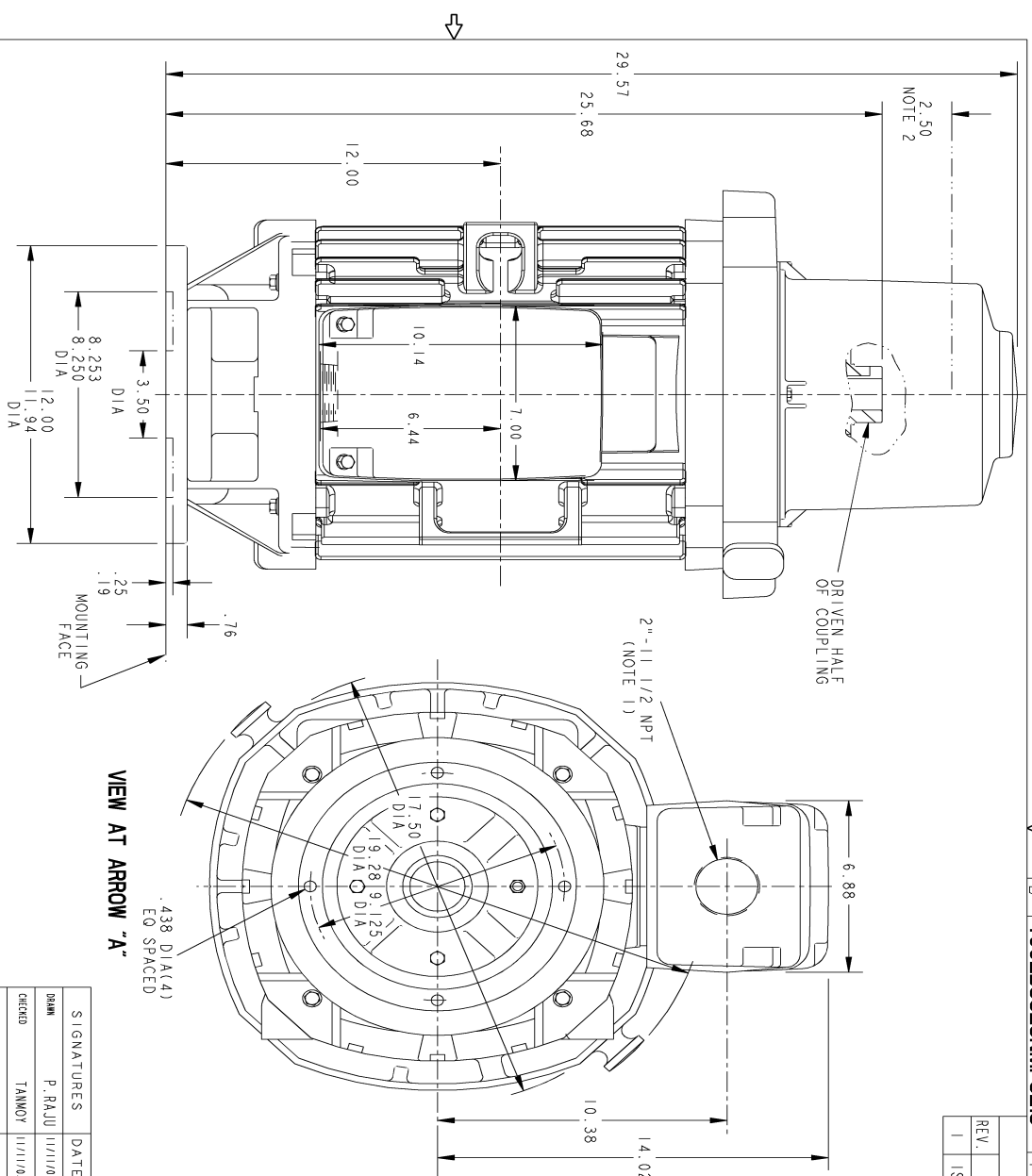
This motor is capable of two cold or one hot start with a maximum connected load inertia of 126 Lb-Ft Sq (5.3 Kg-meter Sq) at 100% voltage, where the load torque varies with the square of the speed. Acceleration time with maximum inertia and the above load type is 16 seconds. Safe stall time at 100% voltage is 27 seconds cold, 20 seconds hot. Rotor inertia is 2.8 Lb-Ft Sq (0.12 Kg-meter Sq).

Open Circuit A-C:	0.934	Short Circuit D-C:	0.014
Short Circuit A-C:	0.028	X/R Ratio:	5.393
Stator Slots:	48	Rotor Slots:	38

Speed Torque Current Curve (First Connection, First Speed)



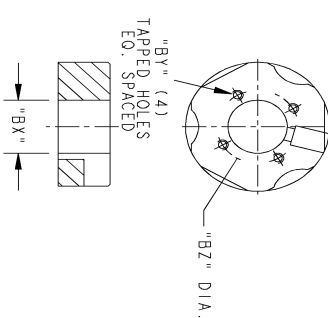
Marks:



NOTE 1: CONDUIT BOX MAY BE ASSEMBLED WITH ENTRANCE UP, DOWN OR TO EITHER SIDE.
 NOTE 2: THE TOTAL HEIGHT OF PUMP SHAFT & LOCKING NUT ABOVE TOP OF COUPLING, MUST NOT EXCEED THIS DIMENSION

REV.	DESCRIPTION	DATE	APPROVED
1	ISAAC # 13-0028	1/14/13	DHEERAJ

DRIVEN HALF OF COUPLING



COUPLING KIT	GR. No.	"B1"	"B2"	BORE DIA.	"B3"	KEYWAY "W"	"D"
4002B5525AA	1	1/4-20	1.750	1.252	1.501	.250	1.25
NON-REVERSE	2	1/4-20	1.750	1.189	1.888		
	3			1.002	1.001		
	4	#10-32	1.375	.877	.876		
	5			.752	.752	.188	.094
	7	1/4-20	1.750	1.251	1.251	.375	1.88

4002B5525AB
 BOLTED OR SELF-RELEASE

SIGNATURES	DATE
DRAM P. RAJU	11/11/13
DESIGNER TANNAY	11/11/13
CHKD BY P. RAJU	11/11/13
ISSUED BY P. RAJU	11/11/13
APPLIED PRACTICES	

GE Industrial Systems
GENERAL ELECTRIC COMPANY
 Fort Wayne, Indiana

INDUCTION MOTOR OUTLINE
 "O" SIZE CBOX - HOLLOW SHAFT - HIGH THRUST (B)12
 FMF : FR280 WP-1 STANDARD "P" BASE VERTICAL
 SIZE DRAWING: **4002B5528NMP5213**
 SCALE: DRAWING SCALE: 4002B5528NMP213 SHEET 1 OF 1

DISTRIBUTION:

Marks:

Connection Diagram
GEM2034E-FIG9



Heater Connection
3027JE-1C



End shield Assembly		
Part Description	DE Side Part#	ODE Side Part#
End Shield	128D6225PA1	128D6228PA1
Bearing	235A2508ET01	235A2508AK01
Slinger/Inproseal	235A2300FL2	

Fan & Fan Cover Assembly	
Part Description	Part#
Fan	
Fan Cover	

Conduit & Accessories Box Assembly	
Part Description	Part#
Conduit Box	4002B5732PA-G01

Mechanical Accessories	
Part Description	Part#
Brake	
Tachometer	