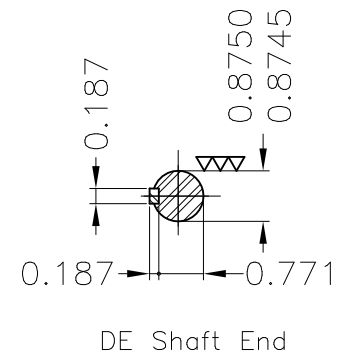
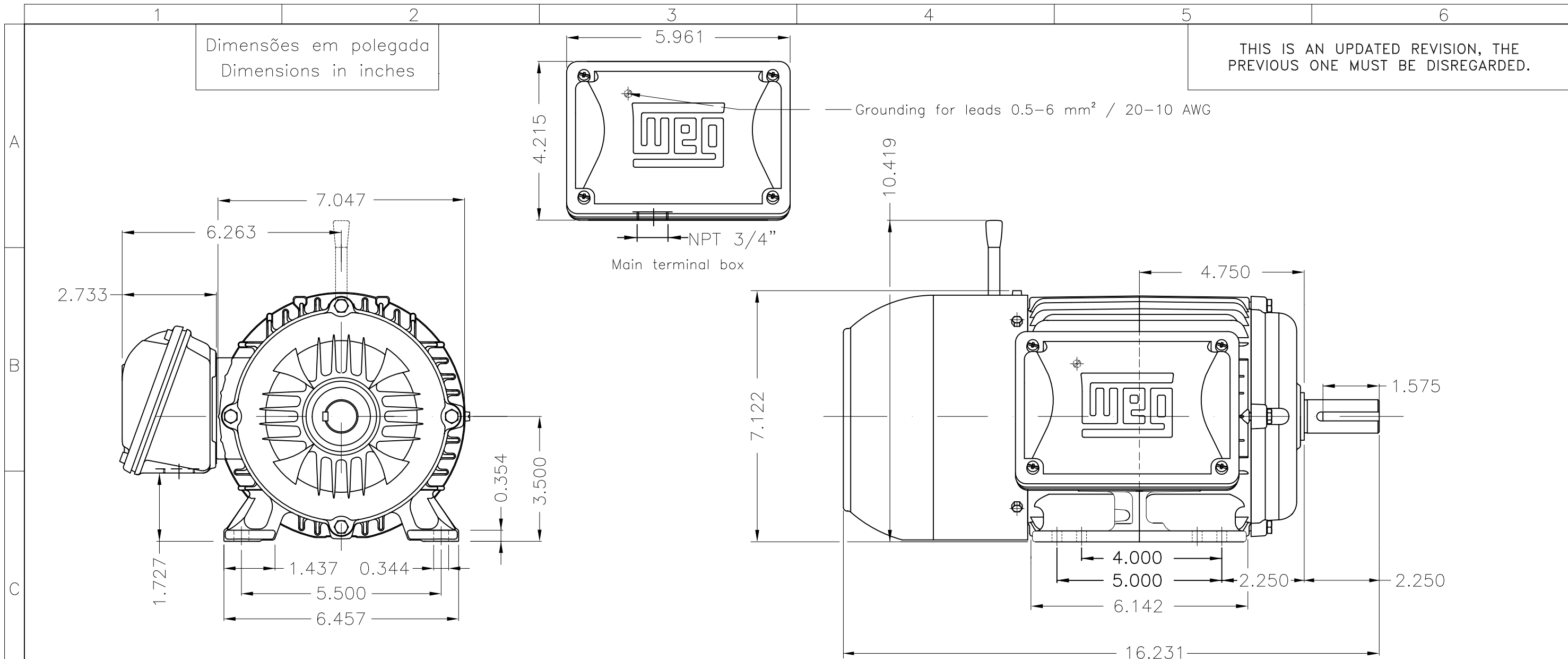


Dimensões em polegada
Dimensions in inches

THIS IS AN UPDATED REVISION, THE
PREVIOUS ONE MUST BE DISREGARDED.



Color RAL 5009									
Painting plan 207A									
Mounting B3R(D)									
ECM	LOC	SUMMARY OF MODIFICATIONS			EXECUTED	CHECKED	RELEASED	DATE	VER
EXECUTED	USERADMIN		W22 THREE PHASE BRAKE MOTOR - NEMA PREMIUM EFF						
CHECKED			FRAME 143/5T IP55 TEFC						
RELEASED			WEG code: 13474024						
REL DT	24.07.2017	WMO	Jaragua do Sul	Product Engineering	SHEET	1 / 1			



2 HP 02 Poles 60Hz