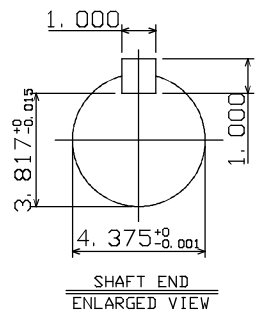
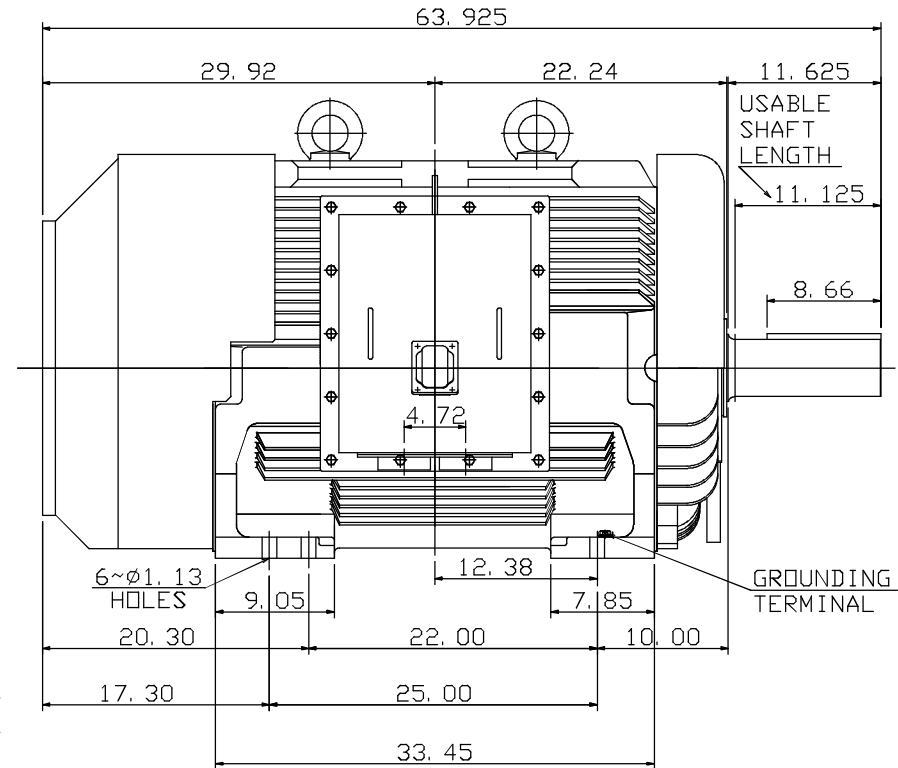
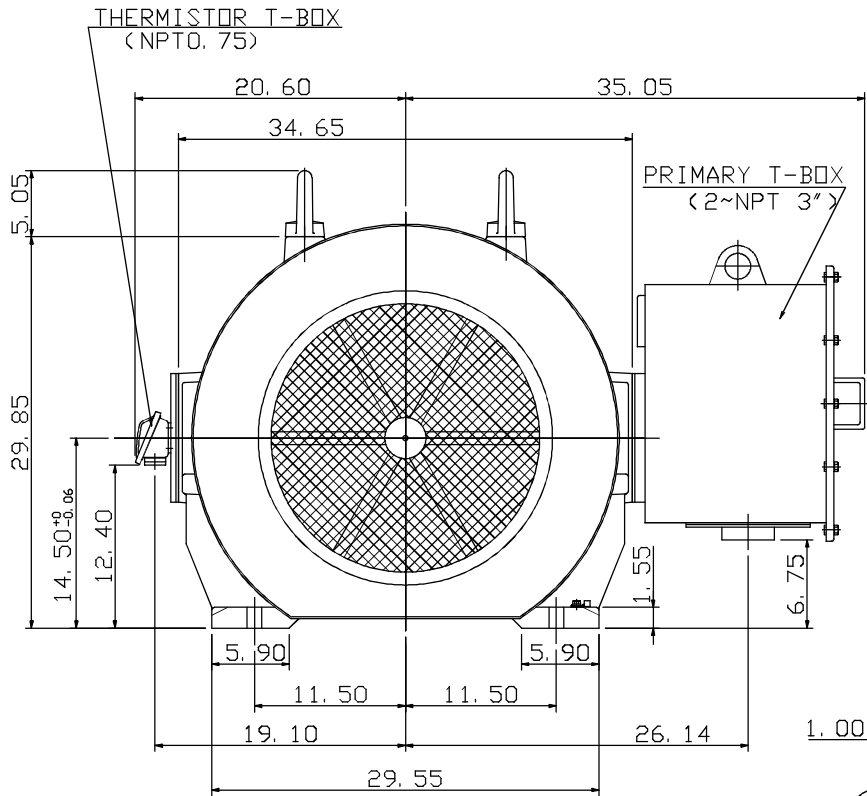


TYPE	OUTPUT		POLE	TIME RATING	VOLTAGE V	Hz	SYN. SPEED R. P. M
	HP.	KW.					
AEEAGD	400	298	4	CONT.	460	60	1800

TOTALLY ENCLOSED FAN-COOLED TYPE. SQUIRREL-CAGE ROTOR



NOTE:

1. DIMENSIONS IN INCHES
2. FRAME NO. 586/7UZ
3. F CLASS INSULATION, S. F. 1.0 (50Hz)
F CLASS INSULATION, S. F. 1.15 (60Hz)
4. FOR BELT SERVICE
5. BEARING SIZE: DRIVE END: NU326C3
NON-DRIVE END: 6322C3
6. ENCLOSURE: IP55
7. WITH THERMISTOR: PTC 140°C 3PCS
8. SHAFT MATERIAL: SCM440 Q&T (AISI 4140 EQUIV)
9. MOTOR APPROX. WEIGHT: 4350 LBS

4A040Y700

DWN.	C. RAM	DEC 02 2015	CATALOG NO.
DWN.	J. CHANG	APR 21 2015	CD4004RZ
CHKD.	H. HUANG	APR 21 2015	TEC Westinghouse
APPD.	C. LIU	APR 21 2015	

TEC Westinghouse

OUTLINE DIMENSIONS
3-PHASE INDUCTION MOTOR

DWG NO. REV: 00
4B040L196