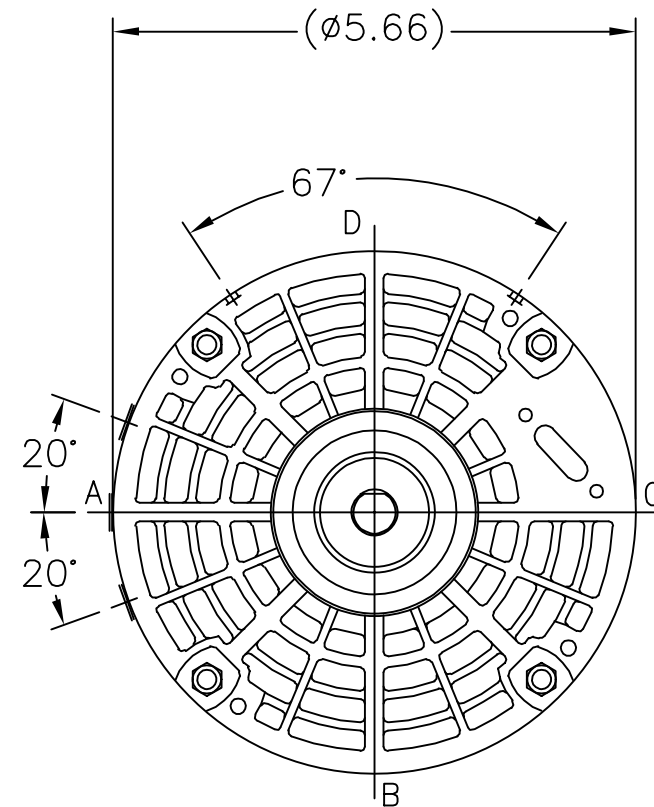
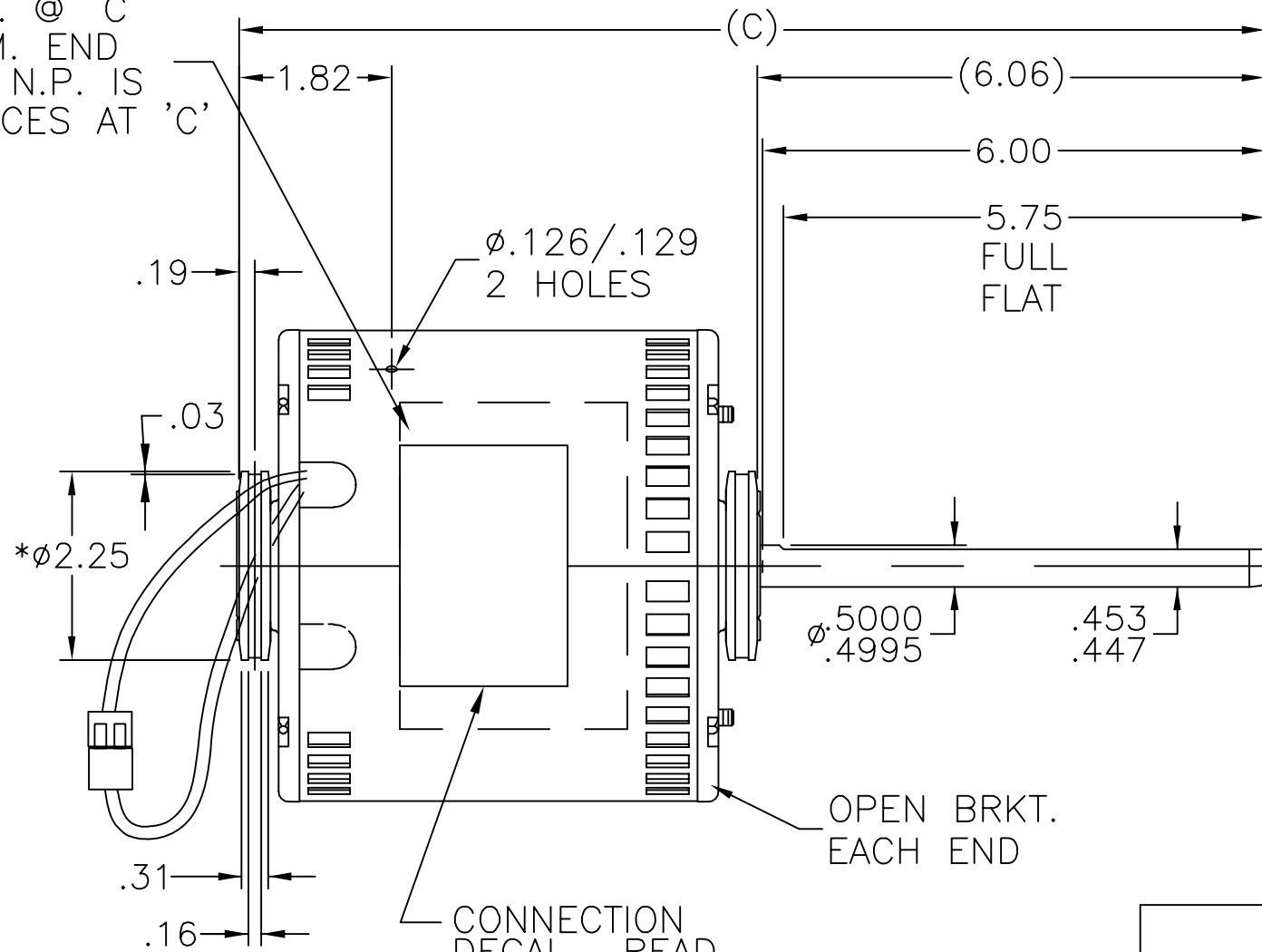
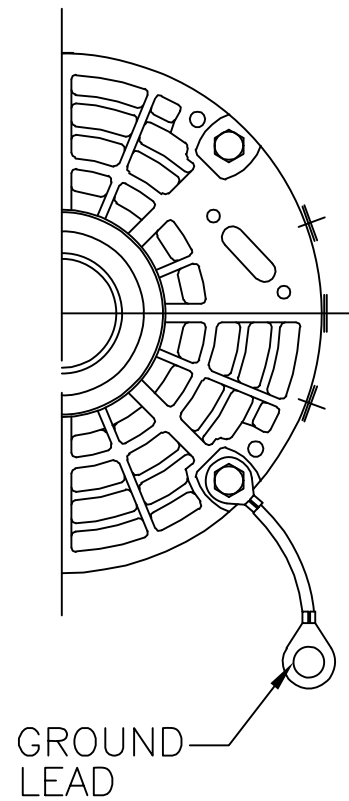


SS403799

NAMEPLATE LOC. @ 'C'
READ FROM TERM. END
WHEN TWO PART N.P. IS
USED,CENTER PIECES AT 'C'

TERM. END

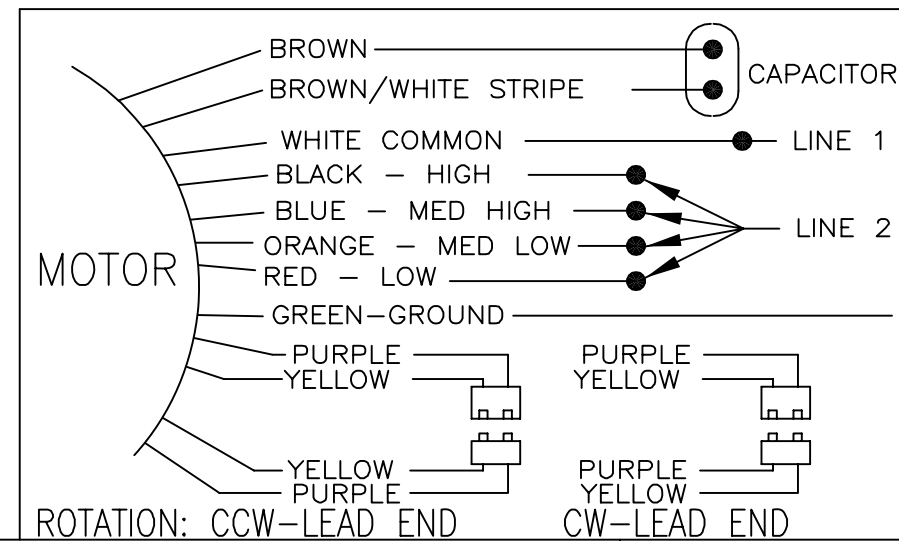


LEAD DESCRIPTION:

- 1 RED, 1 WHITE, 1 BLACK, 1 BLUE AND 1 ORANGE
.50 BARE WIRE STRIP. 26.00 LONG
 - 2 BROWN LEADS WITH .25 STR.-TYPE QUICK CONNECTS
18.00" LONG
 - 3. REVERSING LEADS ARE MOLDED INTO MATING
PULL-APART PLUGS. 1 YELLOW & 1 PURPLE LEAD
PER PLUG 4.00" LONG, EXIT MOTOR @ 'A'
- GREEN GROUND LEAD WITH TERM. FOR
#10 SCREW 12.00" LONG.

* WITH ADAPTORS 2.50

DASH	FR.	C
475	48	12.25
500	48	12.50



NO.	REVISION	BY & DATE	CHK	TOLERANCES UNLESS SPECIFIED	
				DEC.	INCHES
				.X	±.1
				.XX	±.03
B	UPDATED DECAL LOCATION PER ECO-0060358	PST 10/16/14	PI	.XXX	±.005
A	ADDED REVERSING PLUG	UD 07/10/14	PI	.XXXX	±.0005
				ANG	±7'30"



TITLE	OUTLINE
MAT'L.	
FINISH	

DRAWN	SP 01-07-2009
CHK	NB 01-07-2009
APPD	SP 01-07-2009
SCALE	3=8
REF	SS79763
FMF	07-2426
PREV	

THIS DRAWING IN DESIGN AND DETAIL IS OUR PROPERTY AND MUST NOT BE USED EXCEPT IN CONNECTION WITH OUR WORK ALL RIGHTS OF DESIGN AND INVENTION ARE RESERVED THIS IS AN ELECTRONICALLY GENERATED DOCUMENT - DO NOT SCALE THIS PRINT

RFP	01-07-2009	CAD FILE	SS403799
DIST	WP		

SIZE	DRAWING NO.	PAGE	OF	REV.
A	SS403799			B