

DATE
NOV. 23, 2010

OUTLINE DIMENSIONS
3-PHASE INDUCTION MOTOR

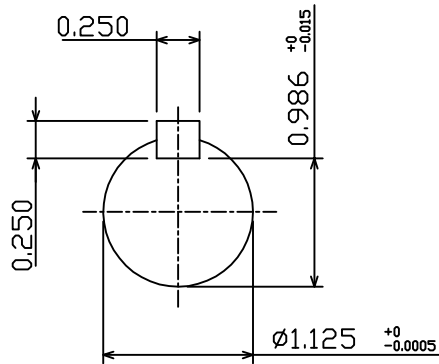
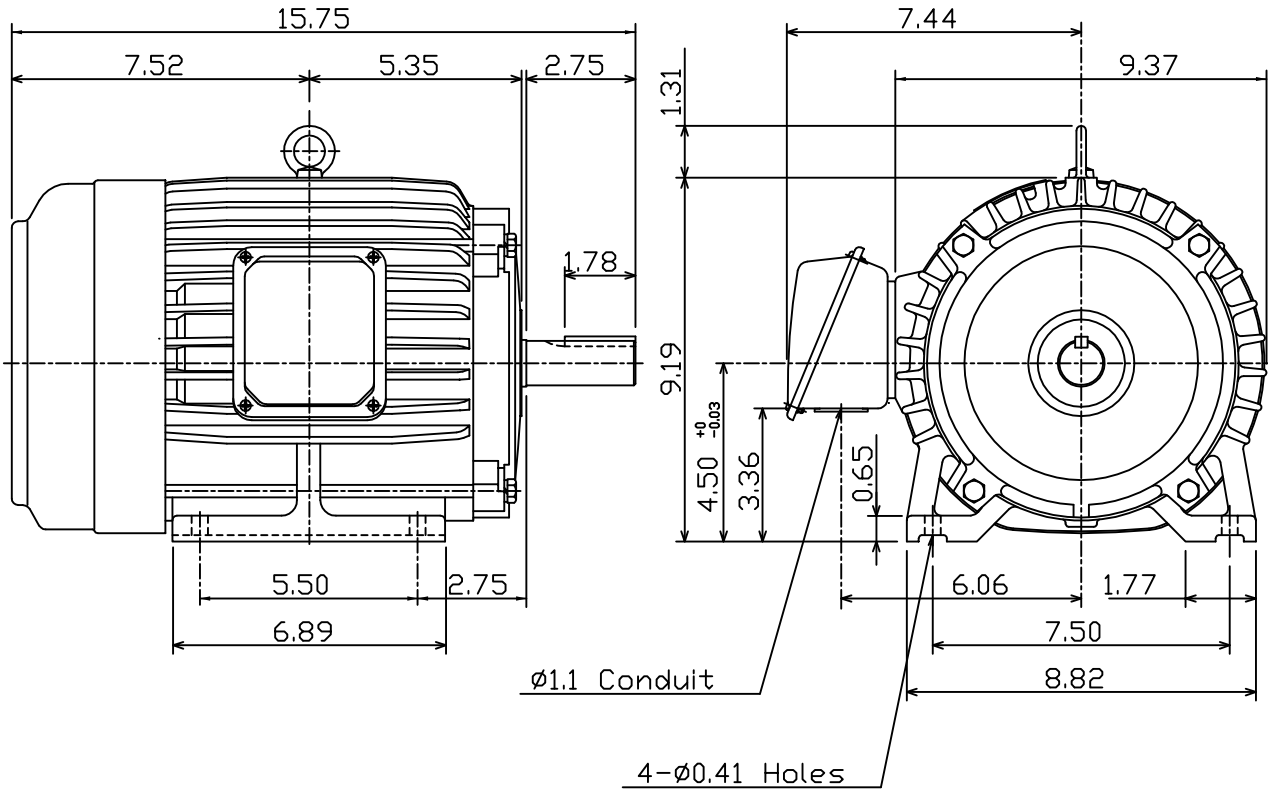
MOTOR TYPE:
AEHH8P
FRAME NO. 184T

CAT. #: NP0054

| Pole | HP | kW | Hz | VOLT | Syn.Speed r/min(rpm) |
|------|----|------|----|---------|-------------------------|
| 4 | 5 | 3.73 | 60 | 230/460 | 1800 |

| Ins | Rating | Dimension in | Approx Weight | Bearings |
|-----|--------|--------------|---------------|------------------------|
| F | CONT. | inch | 95 lbs. | DE: 6306ZZ NDE: 6306ZZ |

Totally Enclosed Fan Cooled Squirrel Cage Rotor.



| | | |
|-------|-----------|----------|
| DWN. | J.H.LIANG | 05-20-99 |
| CHKD. | C.S.LO | 05-26-99 |
| APPD. | Y.B.HUANG | 05-26-99 |

TEC   Westinghouse

DWG NO.
31049D190560