

DATE
February 19, 2004

CATALOG NO.
GV0014C

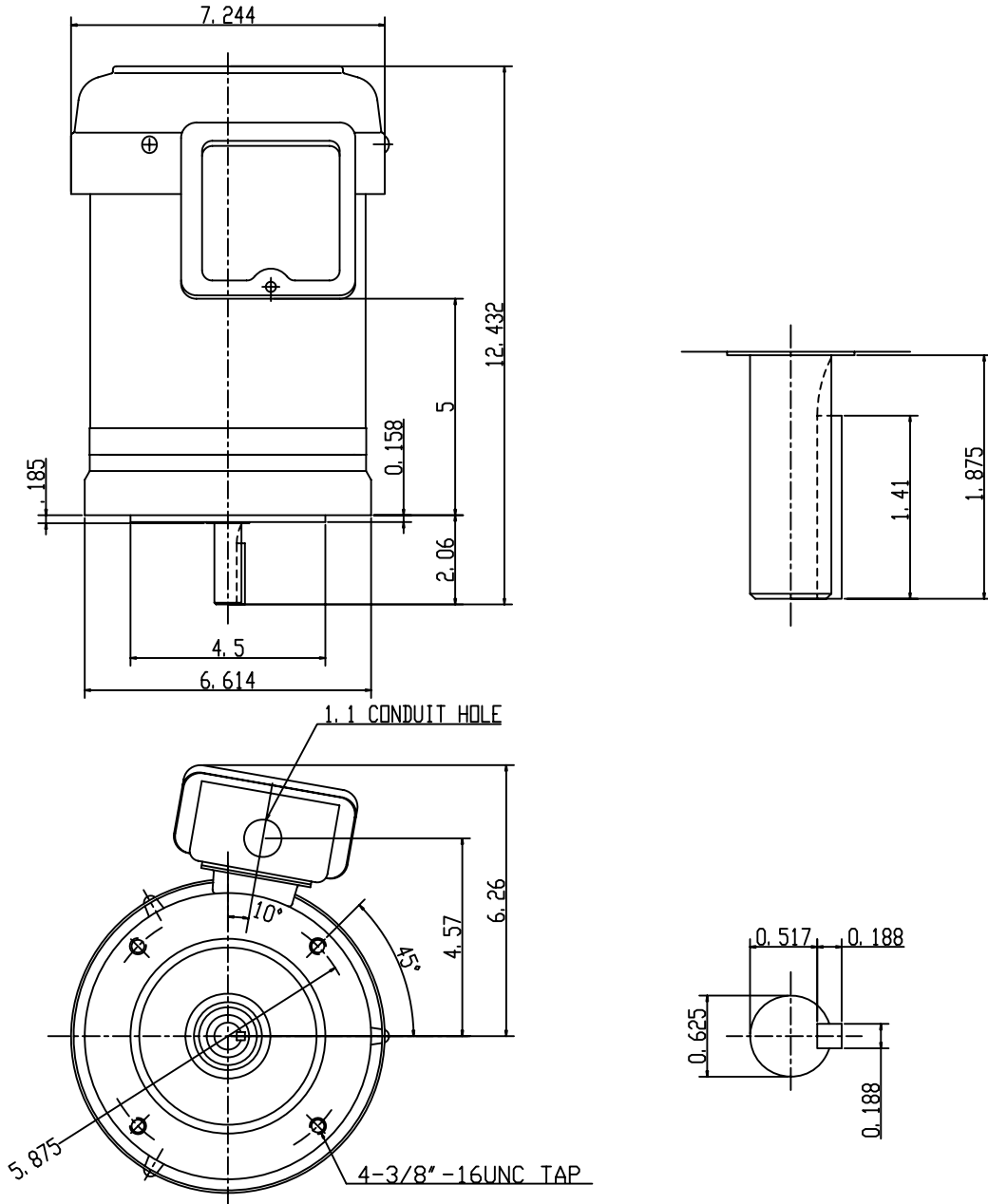
OUTLINE DIMENSIONS
3-PHASE INDUCTION MOTOR

MODEL TYPE:
AETACF

FRAME NO. B56C

Pole	HP	KW	Hz	VOLT	Syn. Speed R. P. M
4	1	.75	60	230/460	1800

Ins.	Rating	Dimensions in	Approx Weight	Bearings
F	CONT.	inch	29 lbs.	DF: 6205ZZ NDE: 6204ZZ



APPD.	W. H. TSAI	03 31 03
CHKD.	J. B. CHEN	03 31 03
DWN.	P. J. CHEN	03 31 03

TECO   Westinghouse

DWG NO.
31049Z105
0741