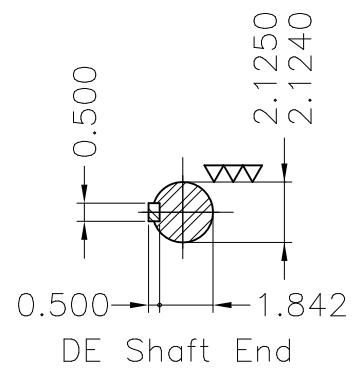
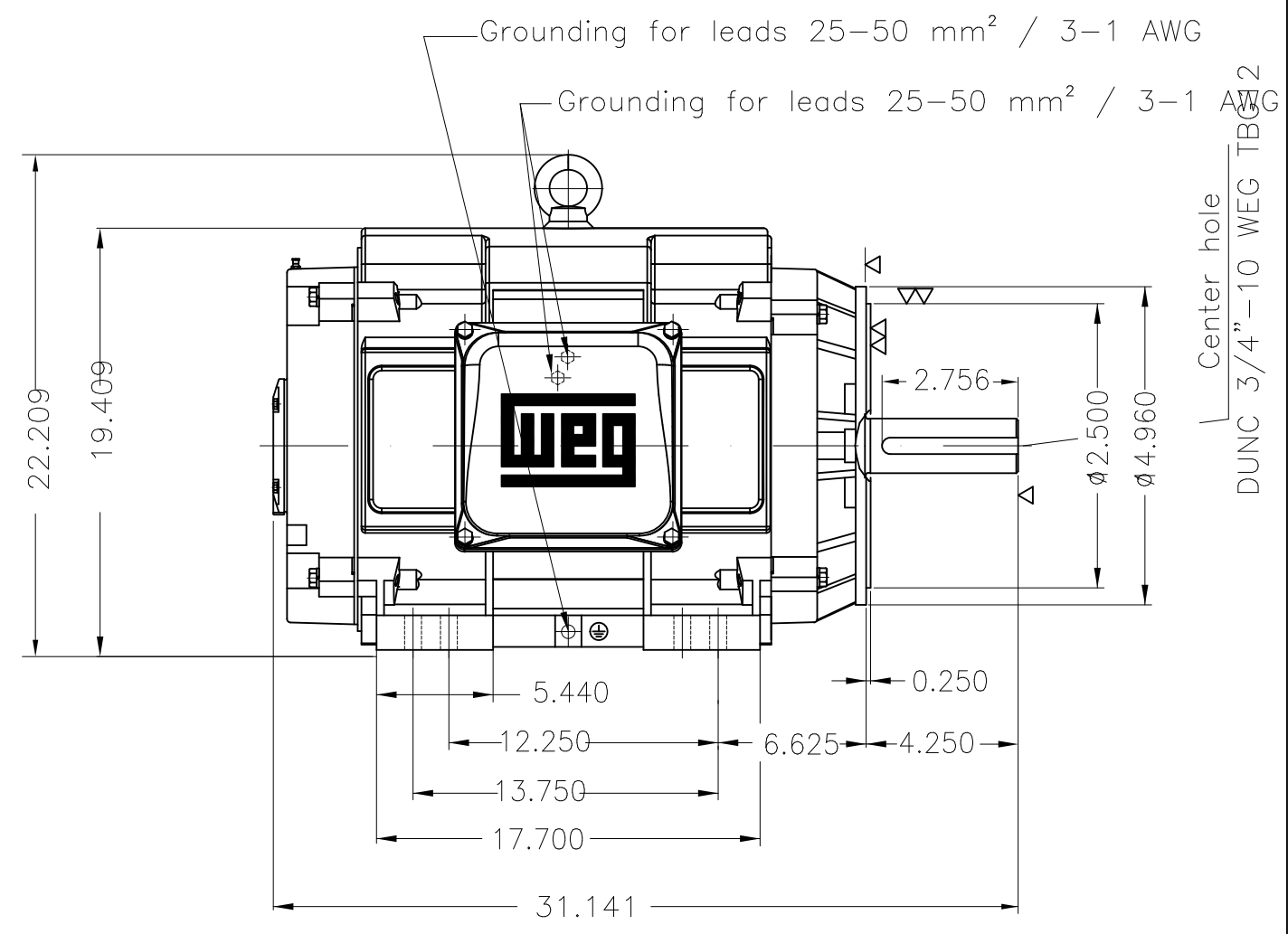
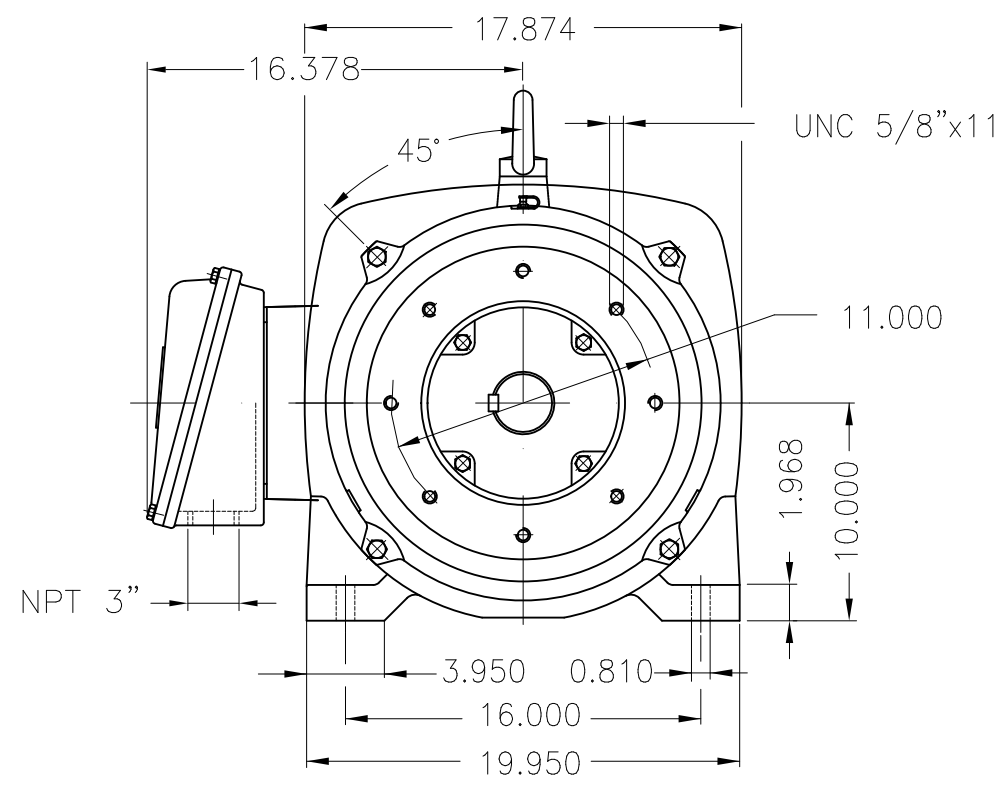
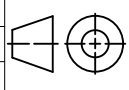


Dimensões em polegada
Dimensions in inches

THIS IS AN UPDATED REVISION, THE
PREVIOUS ONE MUST BE DISREGARDED.



TS shaft end
Color RAL 5009
Painting plan 203A
Mounting B34R(D)

| ECM | LOC | SUMMARY OF MODIFICATIONS | EXECUTED | CHECKED | RELEASED | DATE | VER |
|----------|------------|--|---------------------|---------|----------|------|-----|
| EXECUTED | USERADMIN |  THREE PHASE NEMA P. EFF MOTOR FRAME 404/5TSC IP23 ODP WEG code: 11703245 | | | | | |
| CHECKED | | | | | | | |
| RELEASED | | | | | | | |
| REL DT | 24.07.2017 | WMO Jaragua do Sul | Product Engineering | SHEET | 1 / 1 | | |

100 HP 04 Poles 60Hz

