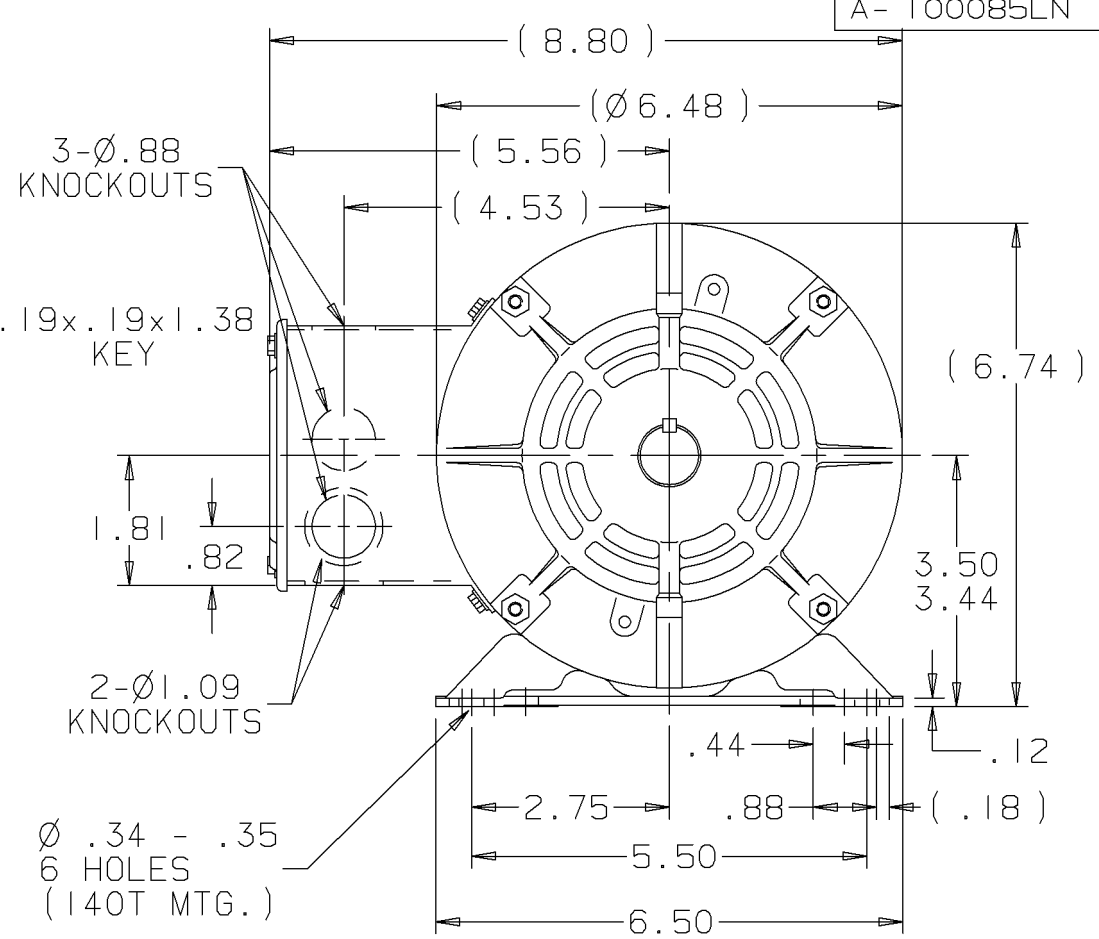
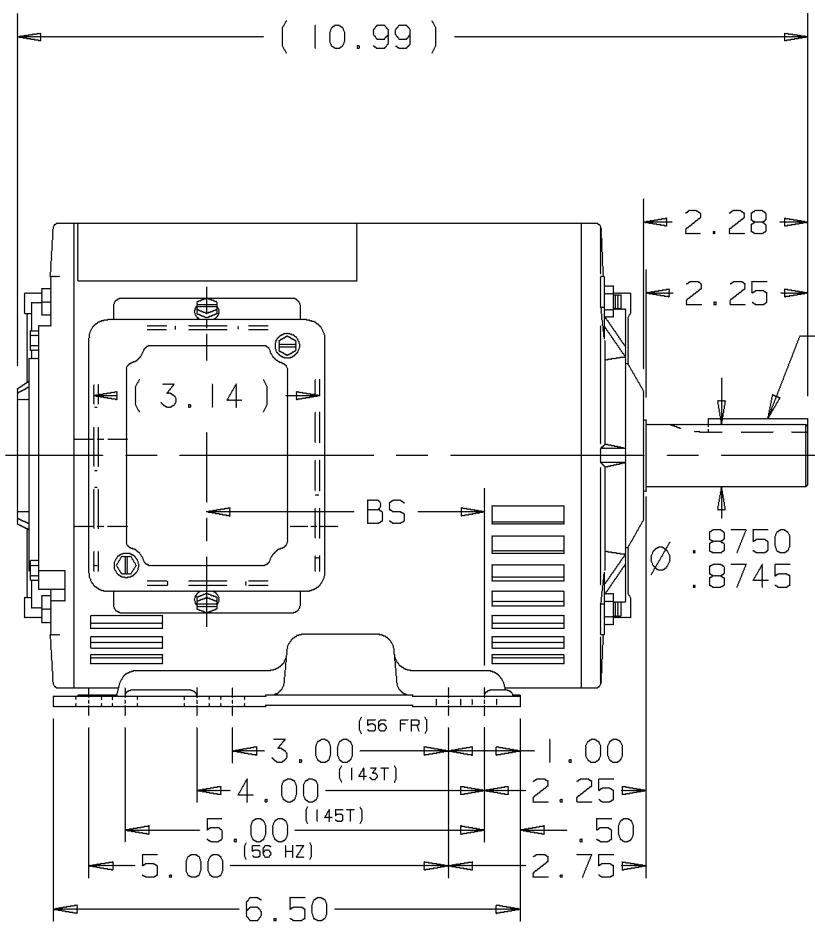


A-100085LN



DASH	FR.	C	BS/140T	DASH	FR.	C	BS/140T
				806	140T/56HZ	11.99	4.86
				856	"	12.49	5.36
706	140T/56HZ	10.99	3.86	906	"	12.99	5.86
756	"	11.49	4.36	956	"		6.36

- NOTES:  
 1. CONDUIT BOX CAN BE ROTATED 180°.  
 2. NAMPLATE READ FROM CONDUIT BOX SIDE.

				<b>Lincoln MOTORS</b>		<input checked="" type="checkbox"/> UNLESS OTHERWISE SPECIFIED DIMENSIONS ARE IN INCHES TOL. ON XX±.03 XXX±.005 XXXX±.0005 ANGLES± 7'30"	
				MAX. SURFACE ROUGHNESS UNLESS OTHERWISE NOTED		DRAWN BY BLR 06-07-1999	
				FINISH		CHKD BY	
				MATERIAL		APPD BY	
01-15-2001   NEW DRAWING				BLR		DRWG NO A-100085LN	
REV	DATE	CHANGE		NAME	PART NAME OUTLINE 140T & 56HZ - DR.PR.		

PURCHASED | CADD FILE NO. | 100085LN