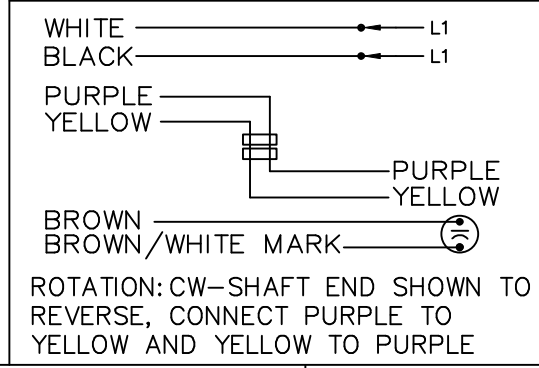


DASH	FRAME	C	A
400	48Y	11.00	4.50
450	48Y	11.50	5.00
475	48Y	11.75	5.25
500	48Y	12.00	5.50
550	48Y	12.50	6.00

LEAD DESCRIPTION:
 1BLACK, AND 1 WHITE LEAD WITH .50 BARE WIRE STRIP 30.00" LONG.
 2 BROWN CAPACITOR LEADS WITH .25 FLAG-TYPE QUICK CONNECTS 30.00" LONG BROWN WITH WHITE MARK IS COMMON TO WHITE LEAD.
 REVERSING LEADS ARE MOLDED INTO MATING PULL APART PLUGS 1 PURPLE, AND 1 YELLOW PER PLUG 5.00" LONG.
 GREEN GROUND LEAD 12.0" LONG



NO.		REVISION	BY & DATE	CHK	ANG	±7'30"	FINISH	MARATHON ELECTRIC		DRAWN SP 06-24-2008	
							TOLERANCES UNLESS SPECIFIED			CHK NB 06-24-2008	
							DEC. INCHES			TITLE OUTLINE	APPD SP 06-27-2008
							.X ±.1			48 FR.	SCALE 7=16
							.XX ±.03			MAT'L.	REF SS400359
							.XXX ±.005				FMF 08-0421
							.XXXX ±.0005			PREV	
				RFP 06-24-2008	CAD FILE SS403736		SIZE A	DRAWING NO. SS403736	PAGE OF	REV.	
				DIST WP							

ERROR: syntaxerror
OFFENDING COMMAND: --nostringval--

STACK:

/RS
-dictionary-
/Pscript_WinNT_Compat
-dictionary-