

# Product Information Packet

November 8, 2016

Data shown is for the current revision model #. Ensure your nameplate model # matches.

<b>Model Number:</b>	<b>5KS365SAA405C</b>
<b>Catalog Number:</b>	<b>M9185</b>
<b>Instruction Manual:</b>	GEI-56128
<b>Connection Diagram:</b>	GEM2034E-FIG3
<b>Outline Drawing:</b>	239C6200AA

<b>Accessory Connection Diagrams</b>			
<b>Bearing Thermocouple:</b>	None	<b>Heater:</b>	None
<b>RTD:</b>	None	<b>Thermistor:</b>	None
<b>Thermostat:</b>	None	<b>Winding Thermocouple:</b>	None
<b>Bearing RTD:</b>	None		

## Table of Contents

Specification	01
Performance Characteristics	02
Outline Drawing	03
Connection Drawing(s)	04
Spare parts	05



**Marks:**

<b>MODEL NUMBER:</b>	<b>5KS365SAA405C</b>	<b>Estimated Weight:</b>	1020 Lbs
<b>Outline Drawing:</b>	239C6200AA	<b>Time Rating:</b>	CONT
<b>Connection Diagram:</b>	GEM2034E-FIG3	<b>Enclosure:</b>	TEFC
<b>Instruction Book:</b>	GEI-56128	<b>Encl Construction:</b>	X\$D
<b>Design Code:</b>	36BD4026A	<b>Ambient Max(°C):</b>	40
<b>Type:</b>	KS	<b>Alt Ambient Max(°C):</b>	60
<b>Frame:</b>	365T	<b>Insulation Class:</b>	H
<b>Phases:</b>	3	<b>NEMA Design:</b>	B
<b>Poles:</b>	8	<b>Nominal Efficiency:</b>	92.4 %
<b>Output Power:</b>	40HP 29.6KW	<b>Guaranteed Efficiency:</b>	91.7
<b>RPM:</b>	890	<b>3/4 Load Efficiency:</b>	92.9
<b>Voltage:</b>	230/460	<b>KVA Code:</b>	G
<b>Hertz:</b>	60	<b>Max KVAR:</b>	23.4
<b>Amps - FL:</b>	115.8/57.9	<b>Power Factor:</b>	70.0
<b>Service Factor:</b>	1.15	<b>Bearing - DE:</b>	6314ZC3
<b>Alt Service Factor:</b>	1.00	<b>Bearing - ODE:</b>	6314ZC3

**Enclosure is Totally Enclosed Fan-Cooled**

**Stamped Nameplate Notes:**

STAMP NP249A5564P051 AS BELOW:  
 MODEL:5KS365SAA405C S/N: XXX  
 CSA CERTIFIED CSA09.2216219 FOR EX NA IIC 200 C GC  
 CL 1 ZONE2 AEX NA IIC 200C;CL 1 DIV2 GRP ABCD 200C  
 IN -40C <= AMB <= 40C, 1.0 SF ON SINE-WAVE PWR  
 SURF TEMP 230C AT 1.15SF ON SINE-WAVE PWR  
 OR 200C VT OR 230C CT OR 200C CHP PWM CONTROL  
 ALTERNATE RATING FOR PWM CONTROL 1.0SF 40C AMB  
 VT 0 - 60 HZ, CT 15-60 HZ, CHP 60-90 HZ.

**Additional Information:**

8P - T EXTN  
 346 CU IN - 3.00" NPT  
 OIL RESISTANT SLEEVING ON LEADS  
 F1 MOUNTING

**Performance Characteristics**

1st Winding 1st Connection

**Design: 36BD4026A**

**Marks:**

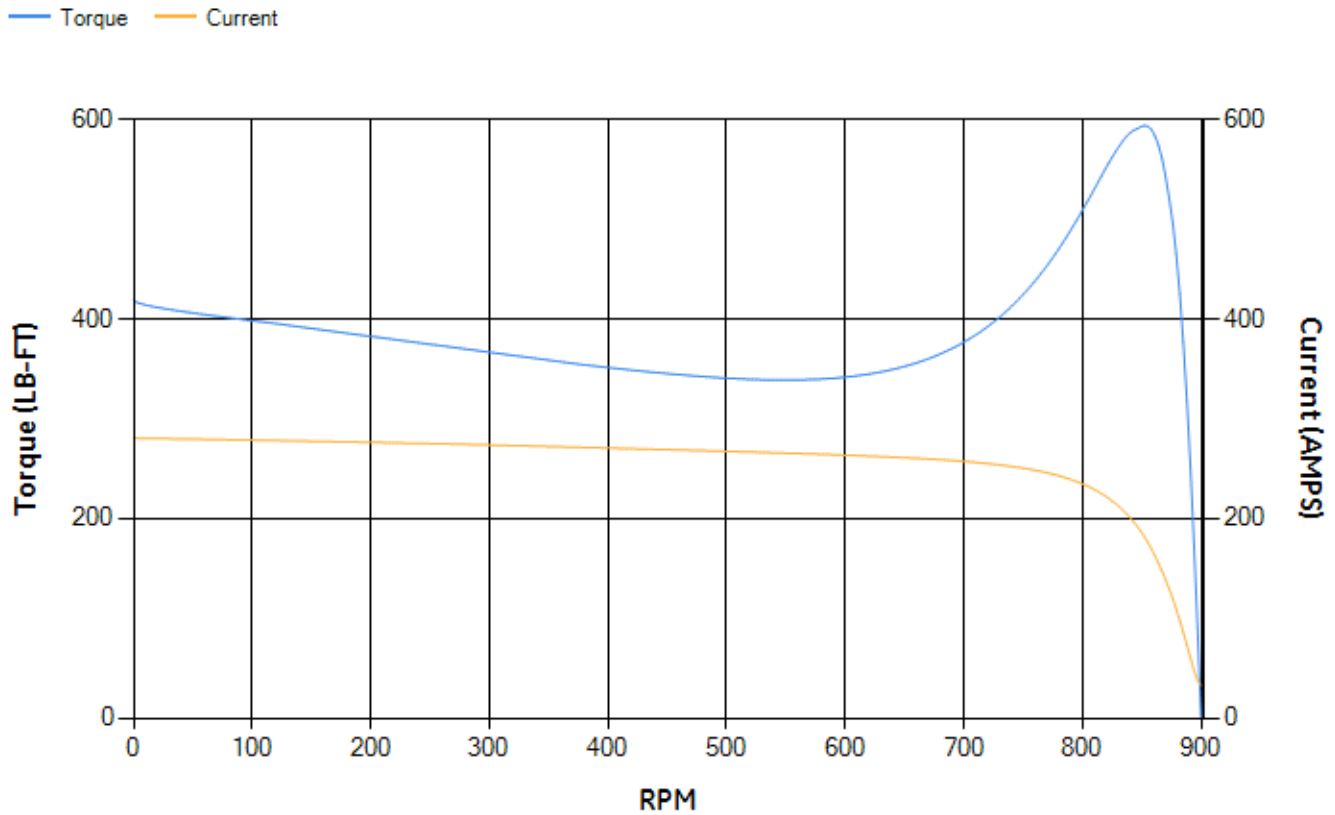
LOAD %	125.0	115.0	100.0	75.0	50.0	25.0	0.0
% EFF	92.07	92.37	92.92	92.91	92.14	88.06	0.00
% PF	74.37	73.02	70.24	62.82	50.17	30.14	2.97
AMPS	68.35	63.83	57.14	48.11	40.5	35.26	32.68

<b>TORQ(FL)#FT</b>	236.51	<b>TORQ(LR)%FL</b>	177.09	<b>TORQ(BD)%FL</b>	249.52
<b>AMPS(LR)</b>	280.41	<b>PF AT START</b>	0.37		

This motor is capable of two cold or one hot start with a maximum connected load inertia of 4179 Lb-Ft Sq (175.94 Kg-meter Sq)at 100% voltage, where the load torque varies with the square of the speed. Acceleration time with maximum inertia and the above load type is 39 seconds. Safe stall time at 100% voltage is 114 seconds cold, 60 seconds hot. Rotor inertia is 22.51 Lb-Ft Sq (0.95 Kg-meter Sq).

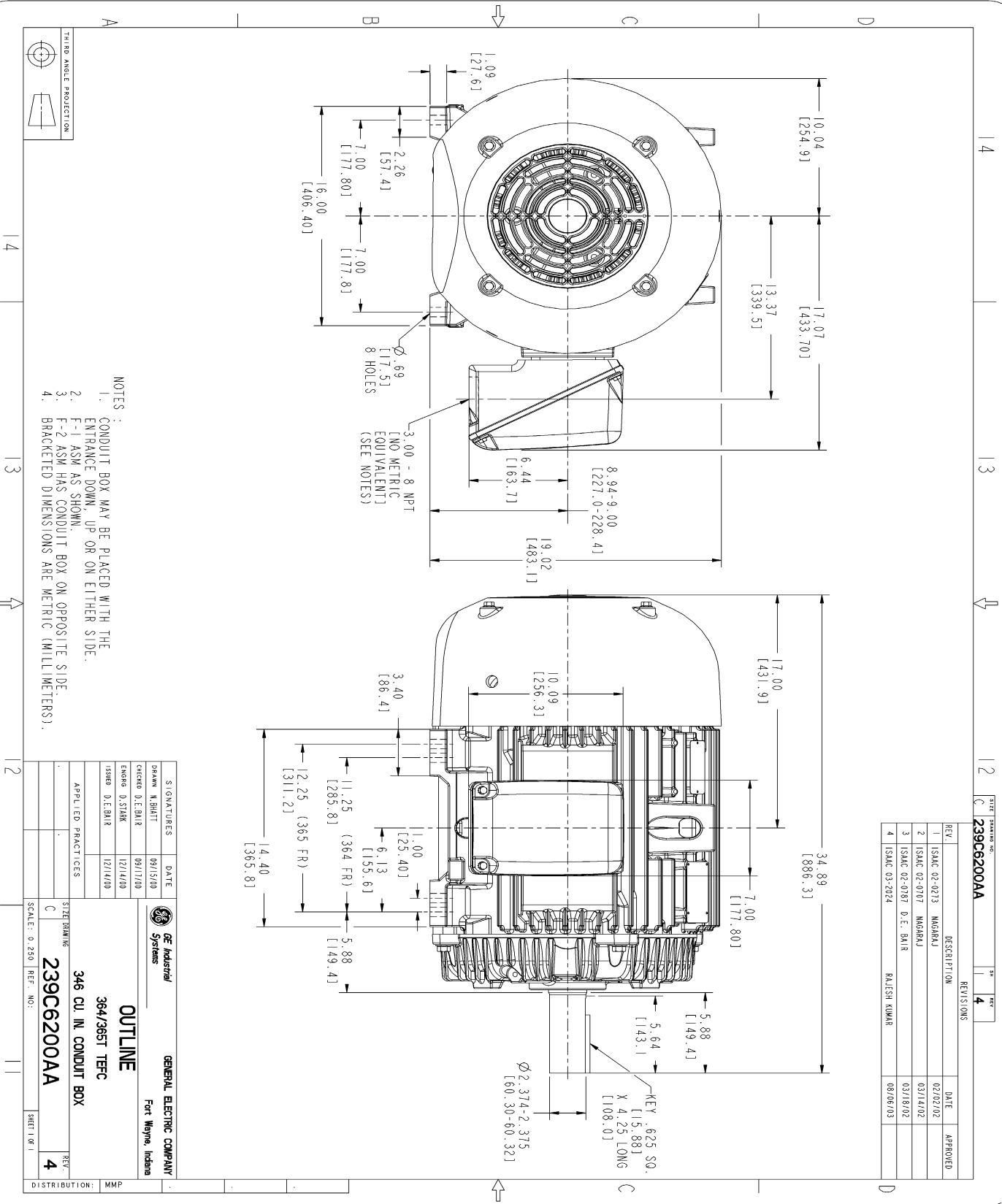
<b>Open Circuit A-C:</b>	0.301	<b>Short Circuit D-C:</b>	0.017
<b>Short Circuit A-C:</b>	0.029	<b>X/R Ratio:</b>	6.468
<b>Stator Slots:</b>	72	<b>Rotor Slots:</b>	58

**Speed Torque Current Curve (First Connection, First Speed)**



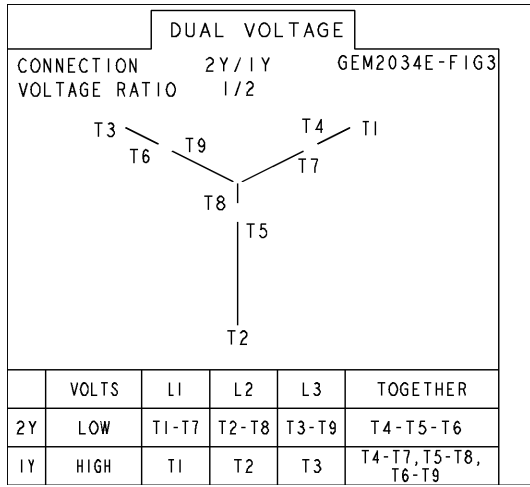
NAME: 103016807 OBJECT: 239C6200AA DATE: 07-Aug-03 23:32:55

Marks:



Marks:

**Connection Diagram**  
**GEM2034E-FIG3**



End shield Assembly		
Part Description	DE Side Part#	ODE Side Part#
End Shield	115E4250AA1	115E4250LK1
Bearing	235A2616AA01	235A2616AA01
Slinger/Inproseal	149C4399G05	149C4399G05

Fan & Fan Cover Assembly	
Part Description	Part#
Fan	159C7100G01
Fan Cover	128D6810AA1

Conduit & Accessories Box Assembly	
Part Description	Part#
Conduit Box	149C4429AA2

Mechanical Accessories	
Part Description	Part#
Brake	
Tachometer	

