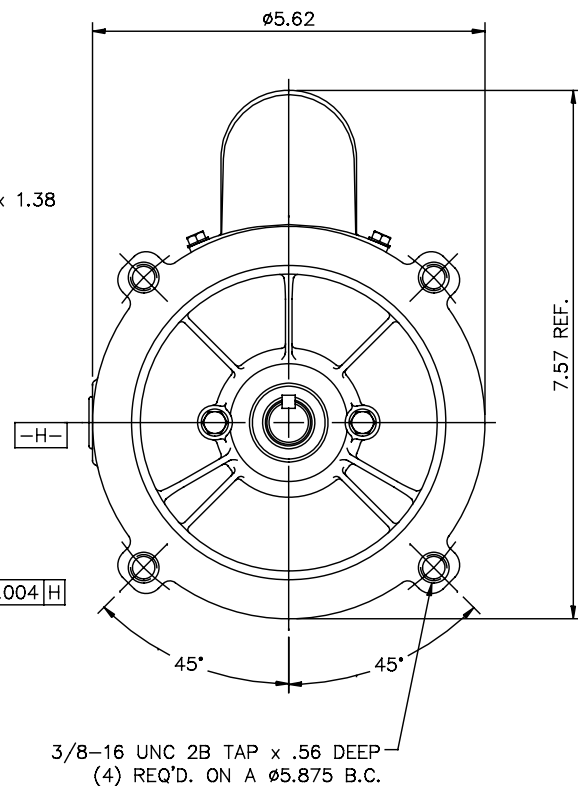
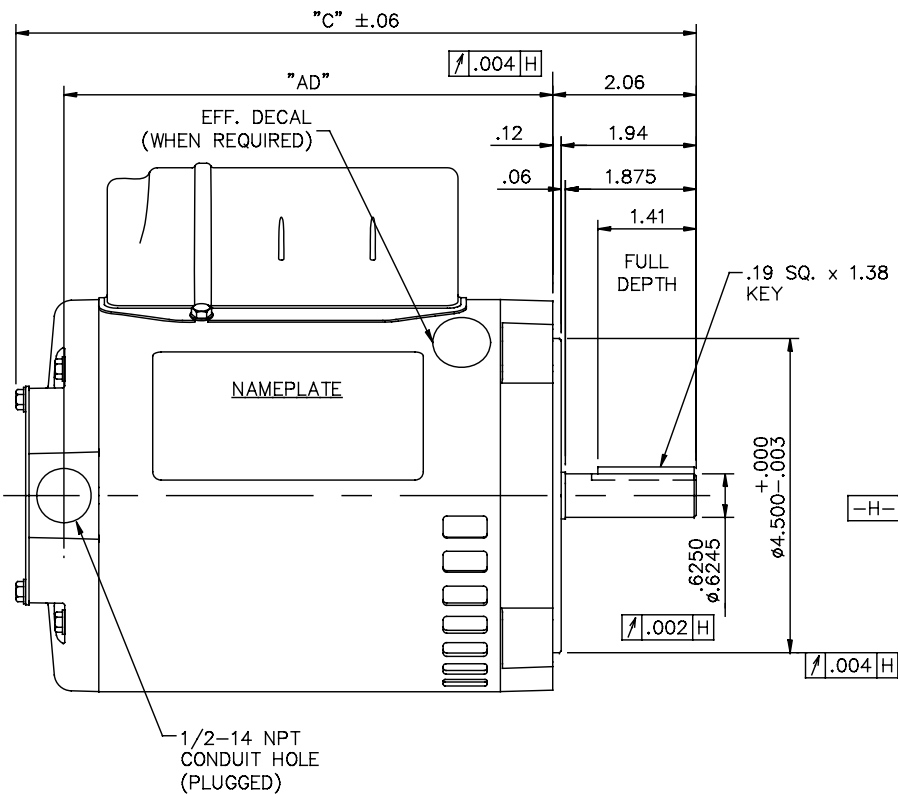
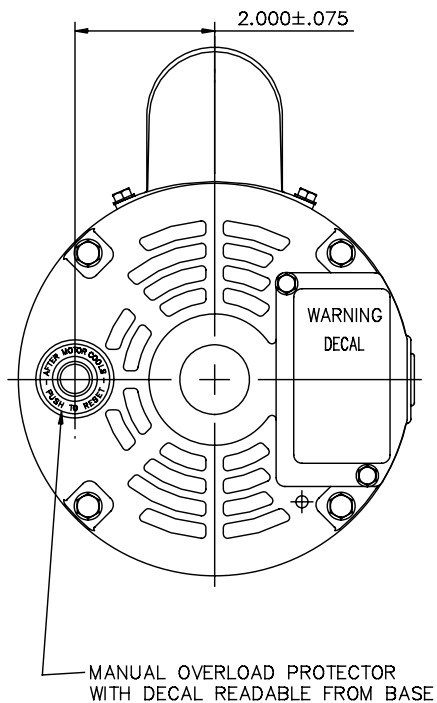


031777



DASH NO.	"C"	"AD"	DASH NO.	"C"	"AD"
525	9.24	6.50	700	10.99	8.25
550	9.49	6.75	725	11.24	8.50
575	9.74	7.00	750	11.49	8.75
600	9.99	7.25	775	11.74	9.00
625	10.24	7.50	800	11.99	9.25
650	10.49	7.75	825	12.24	9.50
675	10.74	8.00	850	12.49	9.75

TOLERANCES UNLESS SPECIFIED	
DEC.	INCHES
.X	±.1
.XX	±.03
.XXX	±.005
.XXXX	±.0005
ANG	±1/2°



ELECTRIC MOTORS  
GEARMOTORS  
AND DRIVES

DRAWN	PG 7/29/04
CHK	
APPD	
SCALE	1=2
REF	031070
FMF	102017.00
PREV	

NO.	REVISION	BY & DATE	CHK	ANG
01	UPDATED FOR DECAL & LEFT VIEW	JD 10/08/15		

TITLE	OUTLINE - S56C FRAME "C" FACE MOUNT - DRIP PROOF
MAT'L.	1 PHASE
FINISH	

THIS DRAWING IN DESIGN AND DETAIL IS OUR PROPERTY AND MUST NOT BE USED EXCEPT IN CONNECTION WITH OUR WORK ALL RIGHTS OF DESIGN AND INVENTION ARE RESERVED THIS IS AN ELECTRONICALLY GENERATED DOCUMENT - DO NOT SCALE THIS PRINT

RFP	CAD FILE	031777	SIZE	DRAWING NO.	REV.
DIST	A			031777	01