

Product Information Packet

June 1, 2017

Data shown is for the current revision model #. Ensure your nameplate model # matches.

Model Number:	5KS405SAJ6008A
Catalog Number:	V4715
Instruction Manual:	GEK-95351
Connection Diagram:	GEM2034E-FIG7
Outline Drawing:	148CB40TMHKCCAA0001

Accessory Connection Diagrams			
Bearing Thermocouple:	None	Heater:	3027JE-1C
RTD:	None	Thermistor:	None
Thermostat:	3027JE-2A	Winding Thermocouple:	None
Bearing RTD:	None		

Table of Contents

Specification	01
Performance Characteristics	02
Outline Drawing	03
Connection Drawing(s)	04
Spare parts	05



Marks:

MODEL NUMBER:	5KS405SAJ6008A	Estimated Weight:	1875 Lbs
Outline Drawing:	148CB40TMHKCCAA0001	Time Rating:	CONT
Connection Diagram:	GEM2034E-FIG7	Enclosure:	TEFC
Instruction Book:	GEK-95351	Encl Construction:	X\$D
Design Code:	40BD1087AE	Ambient Max(°C):	40
Type:	KS	Alt Ambient Max(°C):	--
Frame:	L405TP16	Insulation Class:	H
Phases:	3	NEMA Design:	B
Poles:	4	Nominal Efficiency:	95.4 %
Output Power:	100HP 74KW	Guaranteed Efficiency:	95.0 %
RPM:	1785	3/4 Load Efficiency:	95.9 %
Voltage:	460	KVA Code:	G
Hertz:	60	Max KVAR:	33.3
Amps - FL:	120.0	Power Factor:	82.0
Service Factor:	1.15	Bearing - DE:	6215C3
Alt Service Factor:	--	Bearing - ODE:	235A2532AA01

Enclosure is Totally Enclosed Fan-Cooled

Stamped Nameplate Notes:

HTR LDS HE1-HE2 115V 100W
 ROT CCW FACING ODE LEAD/PH SEQ 1-2-3/1-2-3
 THERMOSTAT LEADS TB1-TB2 TRIP
 INVERTER DUTY PER NEMA MG1 PART 31
 ALTERNATE RATING FOR PWM CONTROL:1.0SF 40C AMBIENT
 VAR TORQUE RANGE 5-60 HZ
 SUITABLE FOR 75 HP, 380V, 50 HZ WITH
 110.0 AMPS AND 1485 RPM AT 1.00 SF

Additional Information:

4 POLE, VERT HOLLOW SHAFT HIGH THRUST (1D)
 SPECIAL BALANCE
 700 CU IN - 3.00" NPT
 BEARING LIFE 8760 HRS AT 6700 LB THRUST
 OIL RESISTANT SLEEVING ON LEADS
 N.C. TRIP TSTAT LDS TO MAIN CONDUIT BOX
 115V HTR LDS TO MAIN CONDUIT BOX
 COUPLING NOT INCLUDED IN BOM, WILL BE
 ORDERED SEPERATELY
 SHAFT GROUNDING RING MOUNTED ON DE BRG CAP
 RCF: 1860 CPM AT C/BOX SIDE, 1860 CPM AT
 90 DEG FROM C/ BOX SIDE
 CG: 21.64 IN FROM P-BASE FACE

Performance Characteristics

1st Winding 1st Connection

Design: 40BD1087AE

Marks:

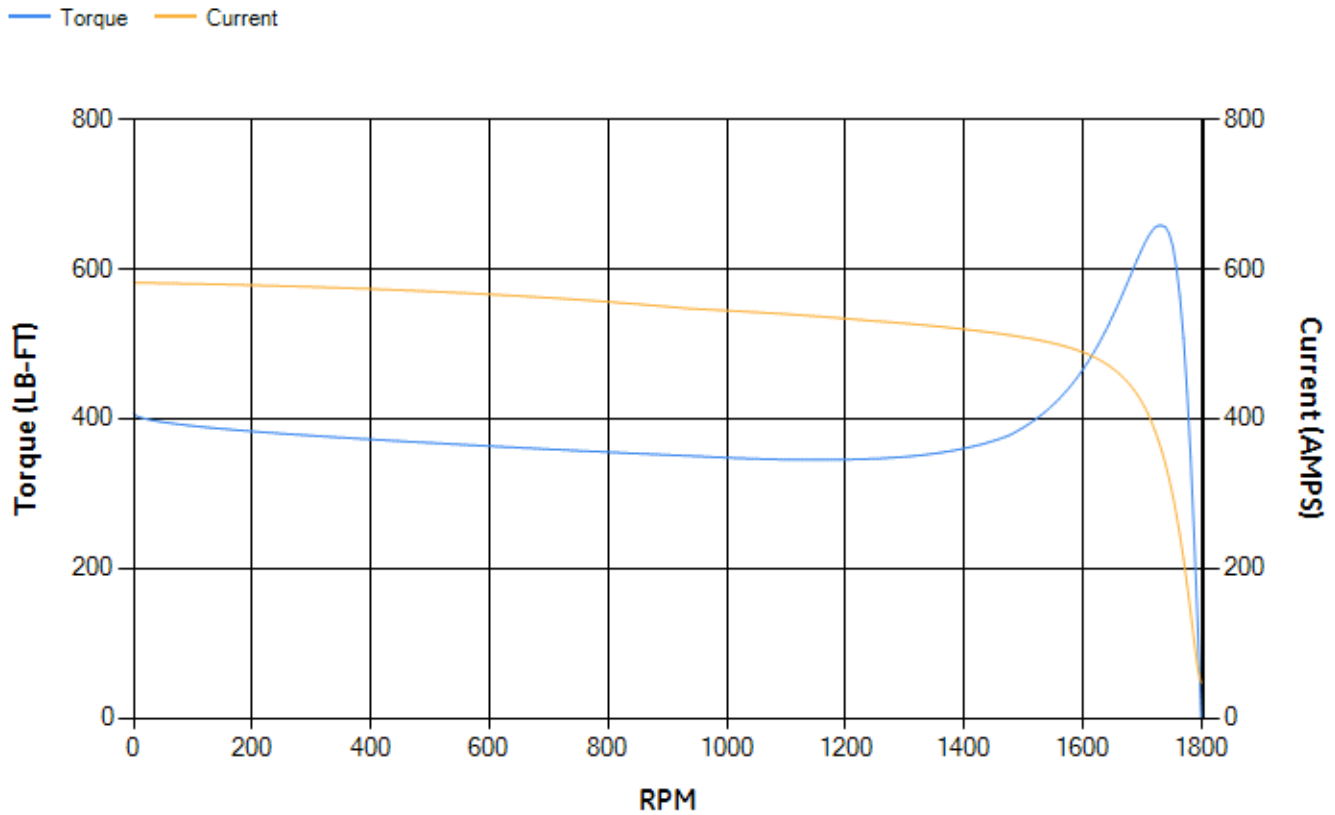
LOAD %	125.0	115.0	100.0	75.0	50.0	25.0	0.0
% EFF	94.46	94.65	95.05	94.88	94.18	90.88	0.00
% PF	83.26	82.96	81.96	78.08	68.77	47.02	4.45
AMPS	148.74	137.07	120.15	94.76	72.25	54.75	46.47

TORQ(FL)#FT	294.39	TORQ(LR)%FL	138.32	TORQ(BD)%FL	223.28
AMPS(LR)	581.69	PF AT START	0.29		

This motor is capable of two cold or one hot start with a maximum connected load inertia of 2151 Lb-Ft Sq (90.56 Kg-meter Sq)at 100% voltage, where the load torque varies with the square of the speed. Acceleration time with maximum inertia and the above load type is 44 seconds. Safe stall time at 100% voltage is 106 seconds cold, 53 seconds hot. Rotor inertia is 22.56 Lb-Ft Sq (0.95 Kg-meter Sq).

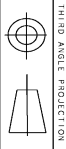
Open Circuit A-C:	0.715	Short Circuit D-C:	0.034
Short Circuit A-C:	0.048	X/R Ratio:	12.653
Stator Slots:	72	Rotor Slots:	58

Speed Torque Current Curve (First Connection, First Speed)

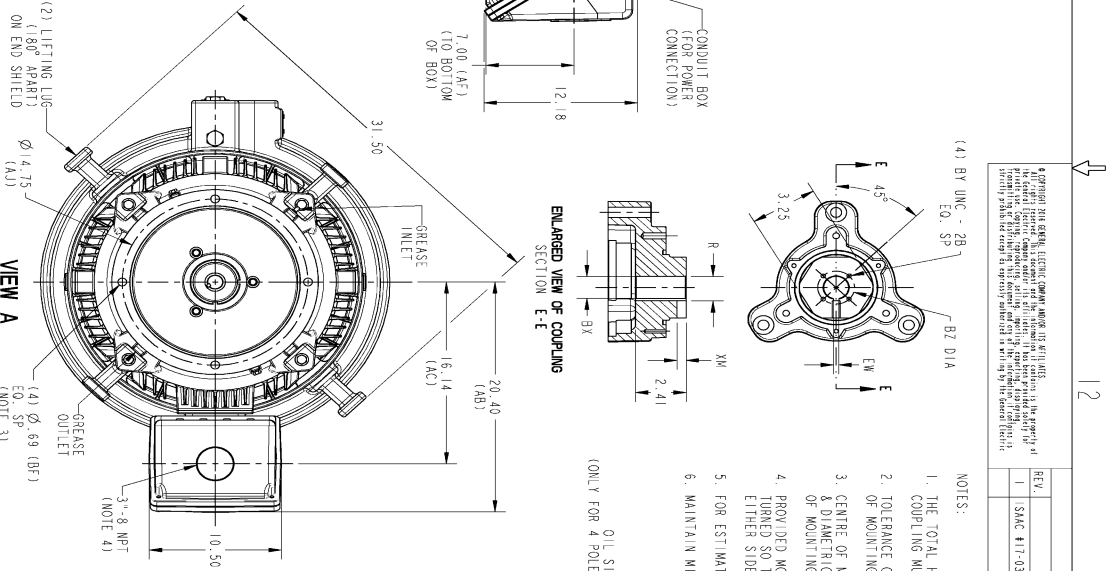
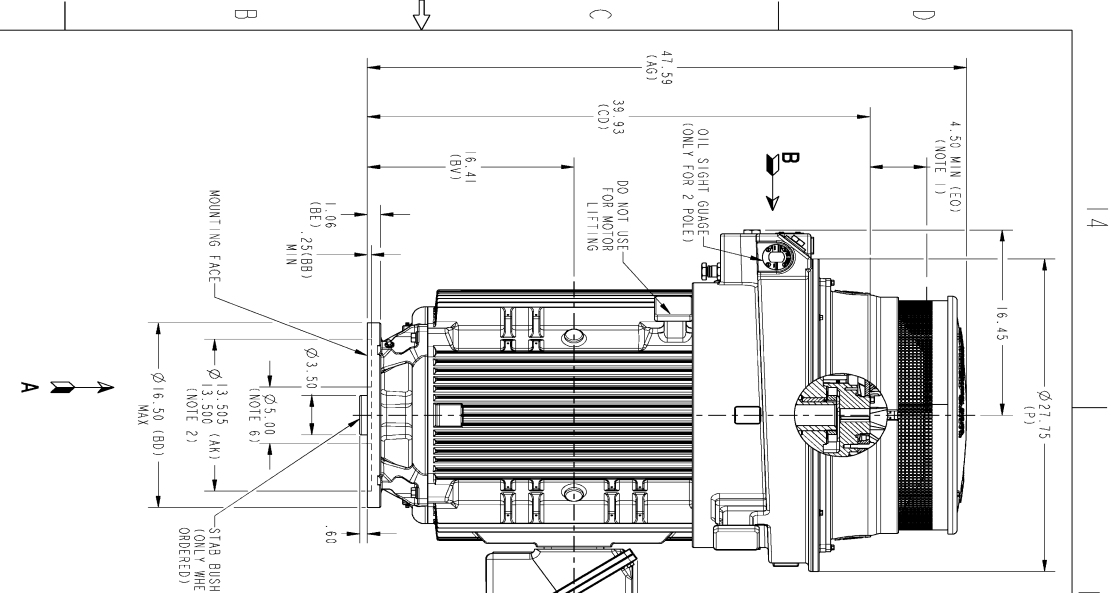


Marks:

SOLID MODEL: 148CB40TMHKCCA0001



THIRD ANGLE PROJECTION



COUPLING DIMENSIONS

BV	BV	BZ	EW	R	XM
1.752-1.751	2.500	0.315	1.9271-.922	0.562	
1.689-1.688	2.500	0.315	1.8691-.859	0.562	
1.502-1.501	1/4-20	2.125	0.315	1.6191-.605	0.562
1.439-1.438		2.125	0.315	1.6151-.605	0.562
1.252-1.251		1.750	0.315	1.4231-.415	0.562

DIMENSIONS IN INCHES NEMA TYPE P BASE

SIGNATURES

MODEL	DATE	DATE	DATE
5KS405	06/20/16	06/20/16	06/20/16
DESIGN	TEJASH	TEJASH	TEJASH
CHKD	TEJASH	TEJASH	TEJASH
APPV	TEJASH	TEJASH	TEJASH
DATE	06/20/16	06/20/16	06/20/16

GE POWER CONVERSION

NEMA 404-405 HOLLOW SHAFT, HIGH THRUST
1650 BD, 700 CU IN C/BOX

SCALE: 0.150

148CB40TMHKCCA0001

SHEET 1 OF 1

NOTES:

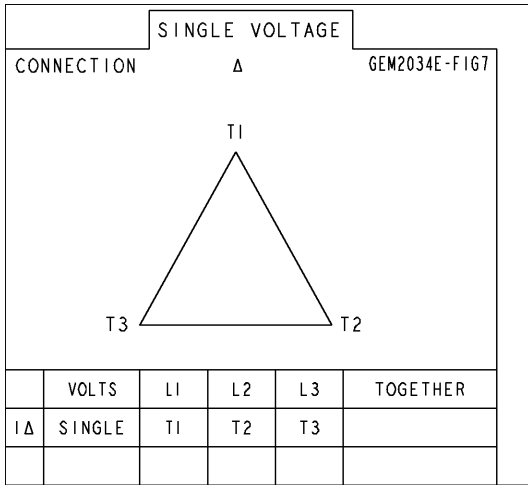
1. THE TOTAL HEIGHT OF PUMP SHAFT AND LOCKING NUT ABOVE COUPLING MUST NOT EXCEED THIS DIMENSION (REFER "EO" D-14).
2. TOLERANCE ON FACE RINDOUT AND PERMISSIBLE ECCENTRICITY OF MOUNTING RABBIT ARE .007 T.I.R (REFER "AK" B-14).
3. CENTRE OF MOUNTING BOLTS HOLES WITHIN 0.025 OF ANGULAR & DIAMETRICAL LOCATION WITHIN REFERENCE TO THE CENTRELINIE OF MOUNTING RABBIT (REFER "BF" A-13).
4. PROVIDED MOUNTING CONDITIONS PERMIT, CONDUIT BOX MAY BE TURNED SO THAT ENTRANCE CAN BE MADE DOWNWARD OR FROM EITHER SIDE (REFER B-12).
5. FOR ESTIMATING ONLY UNLESS ENDORSED FOR CONSTRUCTION.
6. MAINTAIN MINIMUM CLEARANCE FOR SHAFT SLINGER (REFER B-14).

REV.	DESCRIPTION	DATE	APPROVED
1	SIMC #17-0363	04/26/17	SENTHIL

148CB40TMHKCCA0001 001

Marks:

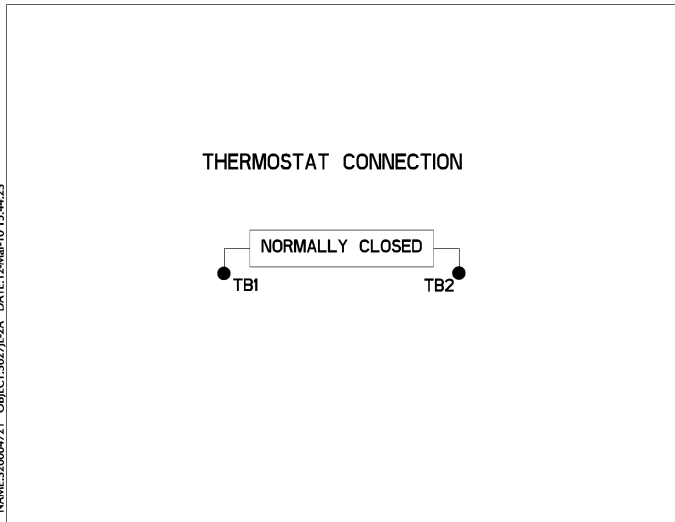
Connection Diagram
GEM2034E-FIG7



Heater Connection
3027JE-1C



Thermostat Connection
3027JE-2A



End shield Assembly		
Part Description	DE Side Part#	ODE Side Part#
End Shield	115E8306AA1	115E8310LA1
Bearing	235A2513AL01	235A2532AA01
Slinger/Inproseal	235A2300HW1	

Fan & Fan Cover Assembly	
Part Description	Part#
Fan	153B1889G02
Fan Cover	128D6845AA1

Conduit & Accessories Box Assembly	
Part Description	Part#
Conduit Box	118D4408AD2

Mechanical Accessories	
Part Description	Part#
Brake	
Tachometer	