

GENERAL INFORMATION:

SHAFT RUNOUT: .001[.025] T.I.R. PER INCH LENGTH OF EXTENSION

END PLAY: .010 TO .063[.254 TO 1.600]

BEARINGS: SLEEVE

MOUNTING POSITION: HORIZONTAL

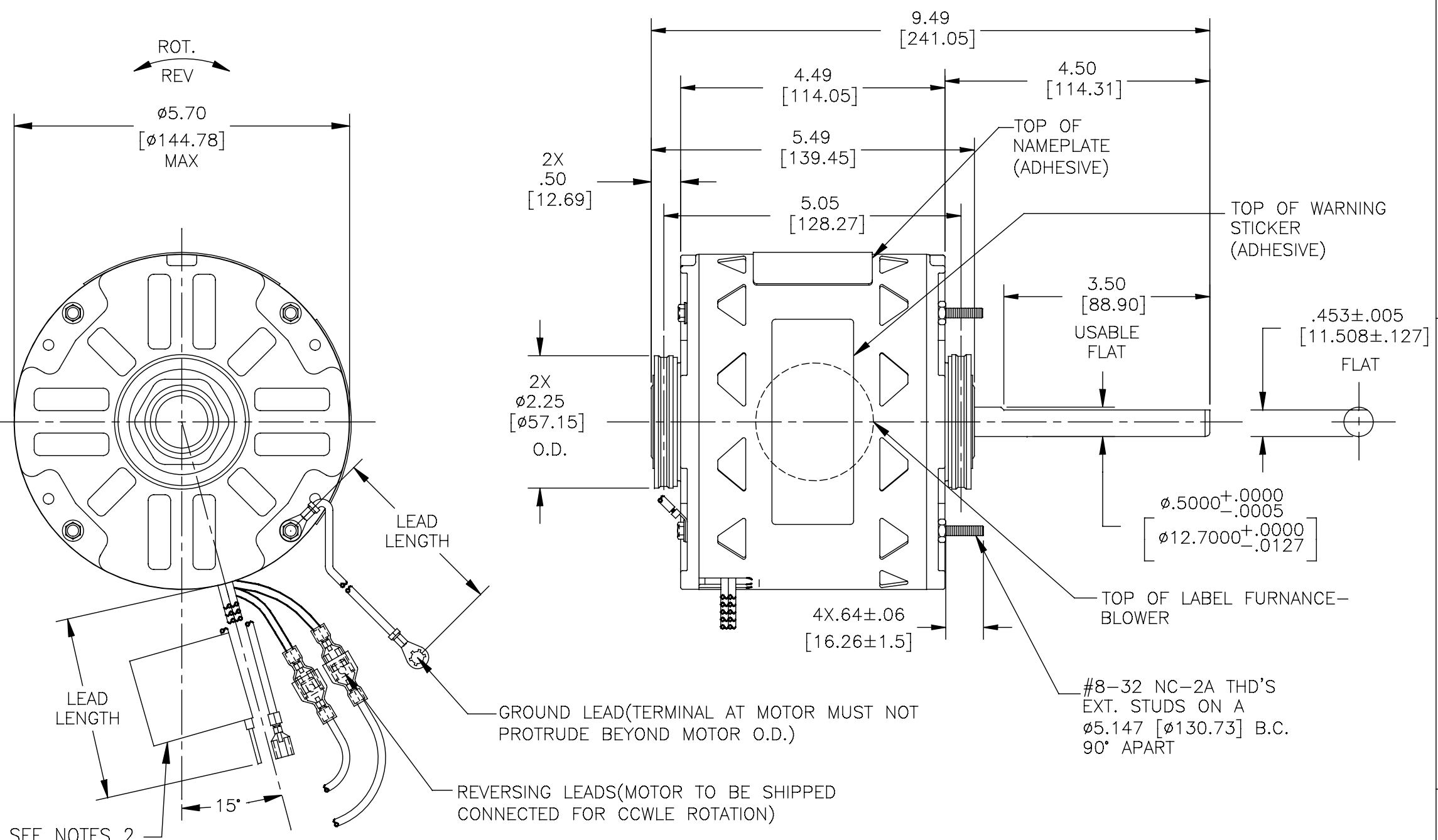
ELECTRICAL DATA:

OVERLOAD PROTECTOR: AUTOMATIC RESET (SENSATA 7AM 036)

LEADS: NO. 18 GA., .03[.76] THK.,125°C INSUL.

REVERSING LEADS: NO. 18 GA., .03[.76] THK.,125°C INSUL.

GROUND LEAD: NO. 18 GA., .03[.76] THK.,(GREEN)INSUL.



SEE NOTES 2

LEAD DATA		
COLOR	LENGTH	TERMINAL OR STRIP LENGTH
RED	25.0/27.0 [635/686]	.60[15.24] SKIN
BLUE	25.0/27.0 [635/686]	.60[15.24] SKIN
BLACK	25.0/27.0 [635/686]	.60[15.24] SKIN
WHITE	25.0/27.0 [635/686]	.60[15.24] SKIN
BROWN/WHITE	25.0/27.0 [635/686]	.25[6.35] FEMALE SPADE
BROWN	25.0/27.0 [635/686]	.25[6.35] FEMALE SPADE
BROWN (REV)	4.0/6.0 [102/152]	.25[6.35] PRE-INSUL. FEMALE SPADE
ORANGE(REV)	4.0/6.0 [102/152]	.25[6.35] PRE-INSUL. MALE TAB
PURPLE(REV)	4.0/6.0 [102/152]	.25[6.35] PRE-INSUL. FEMALE SPADE
WHITE (REV)	4.0/6.0 [102/152]	.25[6.35] PRE-INSUL. MALE TAB
GREEN (GRD)	9.0/11.0 [229/279]	10# EYELET

- NOTES:
1. SPLIT RING ADAPTOR 615035 (4 REQUIRED) TO BE PACKED WITH EACH MOTOR.
 2. ATTACH WARNING/CONNECTION LABEL TO COMMON (WHITE) LEAD APPROX. 2.0[51] FROM MOTOR (ADHESIVE)

REGAL-BELOIT CORPORATION (RBC) PROVIDES TECHNICAL ASSISTANCE TO OUR CUSTOMERS IN SEVERAL AREAS. SINCE RBC DOES NOT RECEIVE ALL DATA CONCERNING THE USE AND APPLICATION OF THE MOTOR, THE SUITABILITY OF THE MOTOR FOR THE APPLICATION MUST BE DETERMINED BY THE CUSTOMER.

DIMENSIONS WITHOUT TOLERANCES ARE FOR REFERENCE ONLY.

ENCLOSURE		CUSTOMER	DISTRIBUTION SERVICES
END FRAME - LE	OPEN		
MAIN FRAME - LE	OPEN		
END FRAME - OLE	OPEN		
MAIN FRAME - OLE	OPEN		

NAMEPLATE DATA:	EXTERNAL CONNECTION DIAGRAM														
MODEL NO.: F48H07A01 CUST. P/N: DL1036 HP: 1/3 ROT.: REVERSIBLE RPM: 1075/3 SPD TYPE: UF FRAME: 48 VOLTS: 115 PH: 1 AMPS: 5.4 HZ: 60 INS.: B AMB.: 40° C DUTY: AIR OVER CAP.: 7.5 MFD/370V ENCL: OPEN UL LOGO CSA LOGO THERMALLY PROTECTED															
<table border="1"> <thead> <tr> <th>PERFORMANCE CURVE NO.</th> <th>TORQUE @1075 RPM (25°C)</th> <th>APPROVED SAMPLE</th> <th>UL COMPONENT FILE #</th> <th>CCN #</th> <th>CSA FILE #</th> <th>CLASS #</th> </tr> </thead> <tbody> <tr> <td>C31363</td> <td>39.5 OZ. FT.</td> <td>96AC226B</td> <td>E46412</td> <td>PRGY2</td> <td>LR43341</td> <td>4211-01</td> </tr> </tbody> </table>	PERFORMANCE CURVE NO.	TORQUE @1075 RPM (25°C)	APPROVED SAMPLE	UL COMPONENT FILE #	CCN #	CSA FILE #	CLASS #	C31363	39.5 OZ. FT.	96AC226B	E46412	PRGY2	LR43341	4211-01	D0000607-001
PERFORMANCE CURVE NO.	TORQUE @1075 RPM (25°C)	APPROVED SAMPLE	UL COMPONENT FILE #	CCN #	CSA FILE #	CLASS #									
C31363	39.5 OZ. FT.	96AC226B	E46412	PRGY2	LR43341	4211-01									

DRAWING REVISION D	REVISION BY J.ZHU	DATE 09-13-2015	Regal Beloit America, Inc.
ECO-0084773	APPROVED BY C.ZHANG	DATE 09-13-2015	
COPYRIGHT REGAL-BELOIT AMERICA, INC. ALL RIGHTS RESERVED. PROPRIETARY AND CONFIDENTIAL INFORMATION - THIS DOCUMENT IS THE PROPERTY OF REGAL-BELOIT AMERICA, INC. (OWNER) AND CONTAINS OWNER'S PROPRIETARY INFORMATION. ANY PERSON, CORPORATION OR OTHER FIRM RECEIVING IT IS DEEMED, BY RECEIVING IT, TO AGREE THAT IT, AND/OR ANY PART OF IT, SHALL NOT BE DISCLOSED TO ANY PERSON, CORPORATION OR OTHER ENTITY, DUPLICATED, AND/OR USED, EXCEPT AS EXPRESSLY APPROVED IN WRITING IN ADVANCE BY OWNER. THIS DOCUMENT SHALL BE RETURNED TO OWNER UPON REQUEST. IT MAY BE SUBJECT TO CERTAIN RESTRICTIONS UNDER APPLICABLE EXPORT CONTROL LAWS AND REGULATIONS.			DRAWN BY: HEATH DATE: 08-05-1996 APPROVED BY: TPR DATE: 08-07-1996 PROCESS/FINISH:
DESCRIPTION MODEL-RFHP-48FR OUTLINE			MATERIAL: - SIZE DWG NO: C SHEET: 1