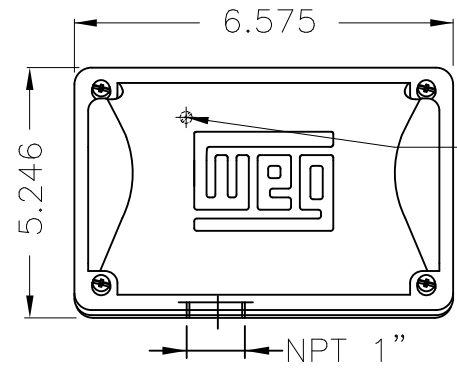
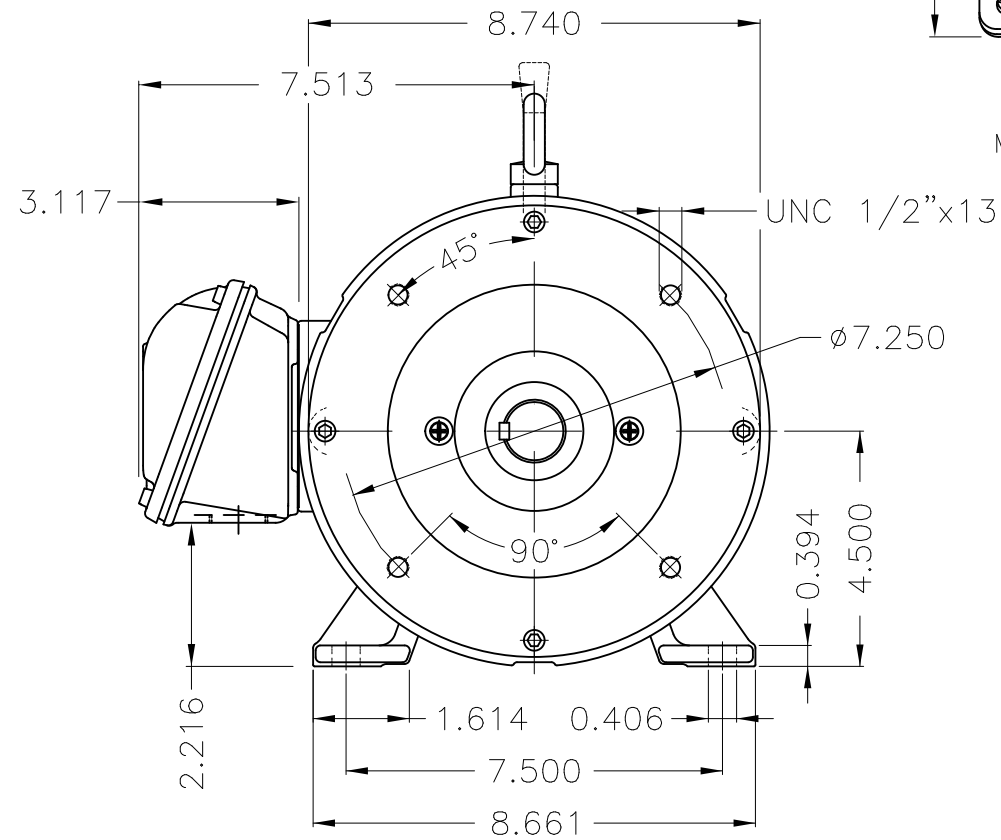


Dimensões em polegada  
Dimensions in inches

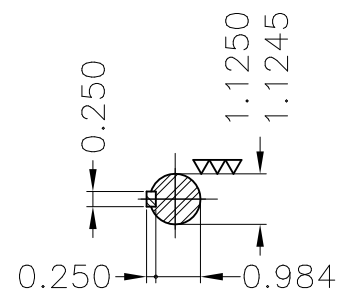
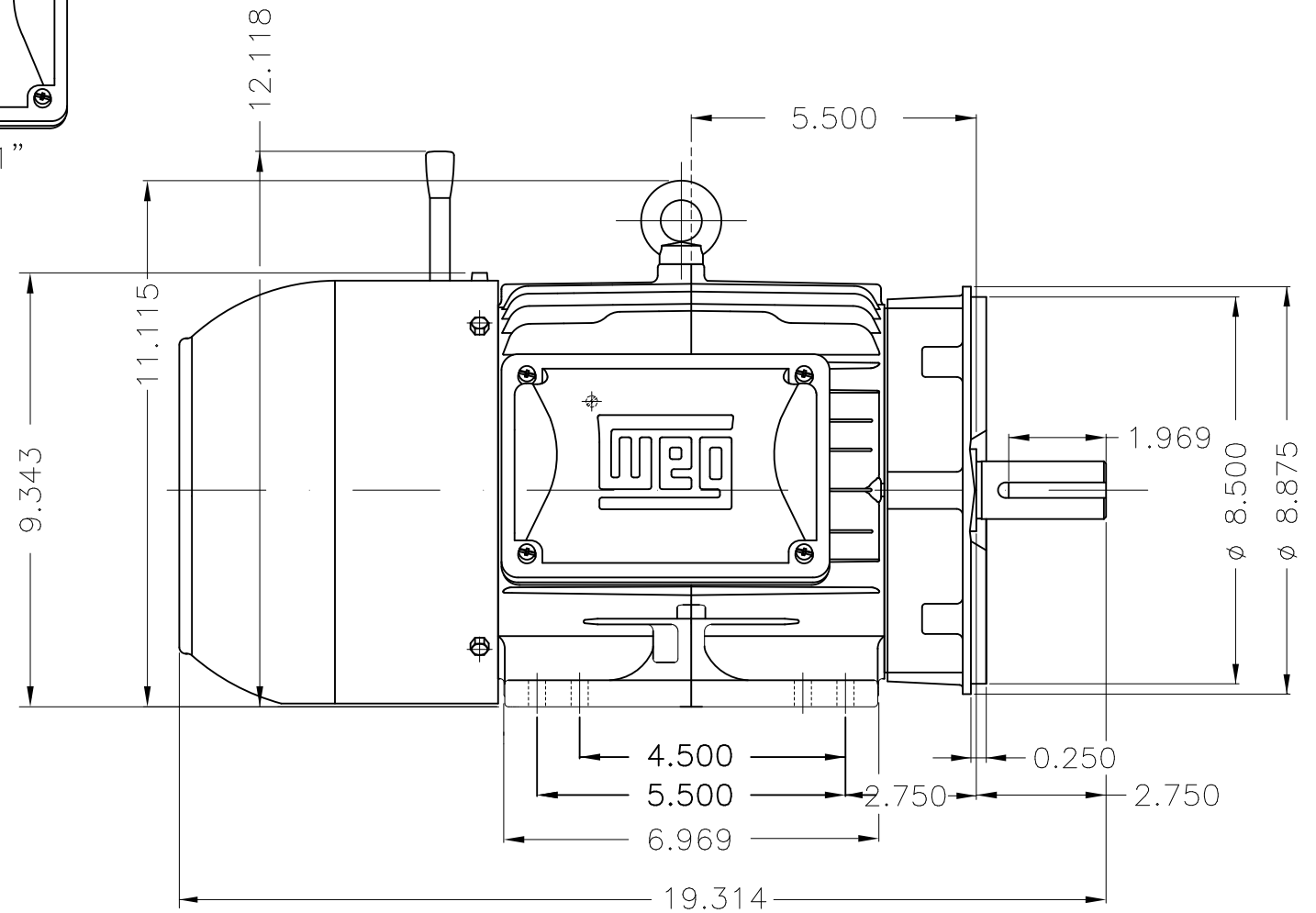
THIS IS AN UPDATED REVISION, THE  
PREVIOUS ONE MUST BE DISREGARDED.

A  
B  
C  
D  
E



Main terminal box

—Grounding for leads 2–10 mm<sup>2</sup> / 14–7 AWG



DE Shaft End

Brake voltage 440–480 V  
Bearing cap  
Color RAL 5009  
Painting plan 207A  
Mounting B34R(D)

ECM	LOC	SUMMARY OF MODIFICATIONS	EXECUTED	CHECKED	RELEASED	DATE	VER
EXECUTED	USERADMIN	W22 THREE PHASE BRAKE MOTOR - NEMA PREMIUM EFF					
CHECKED		FRAME 182/4TC IP55 TEFC					
RELEASED		WEG code: 13775312					
REL DT	24.07.2017	WMO Jaragua do Sul	Product Engineering	SHEET	1 / 1		



5 HP 04 Poles 60Hz