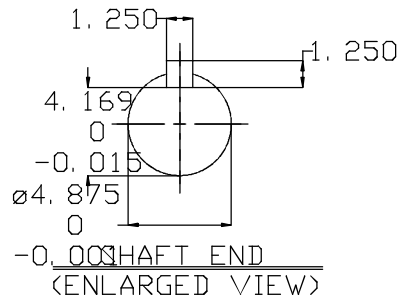
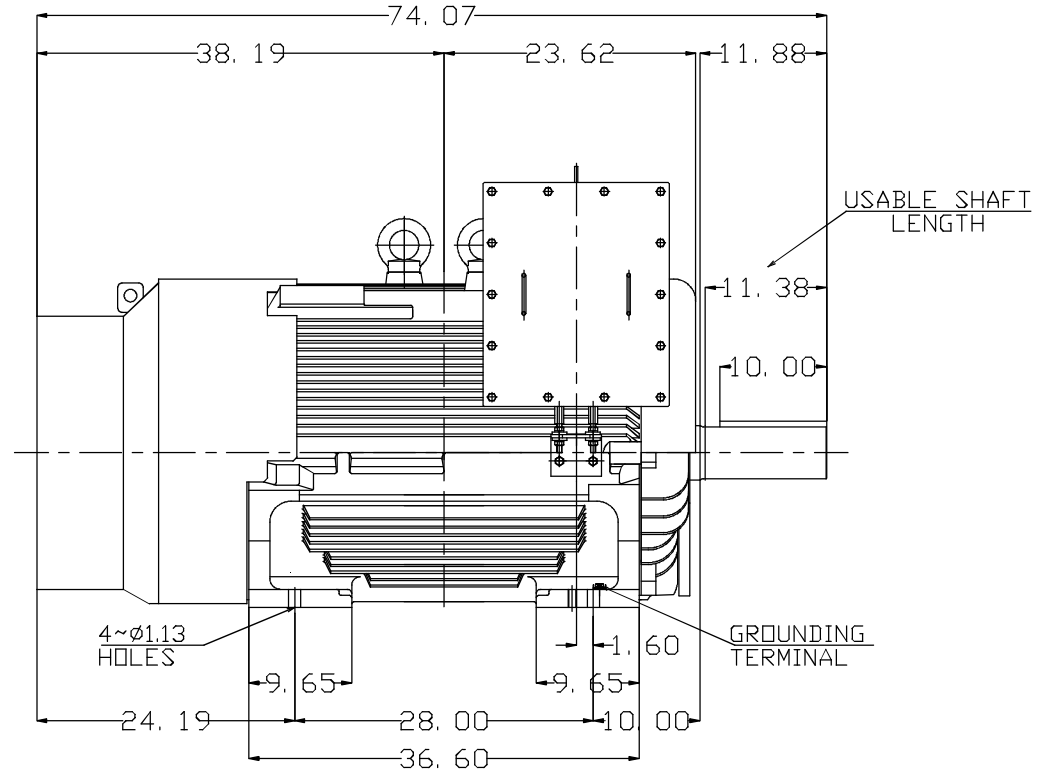
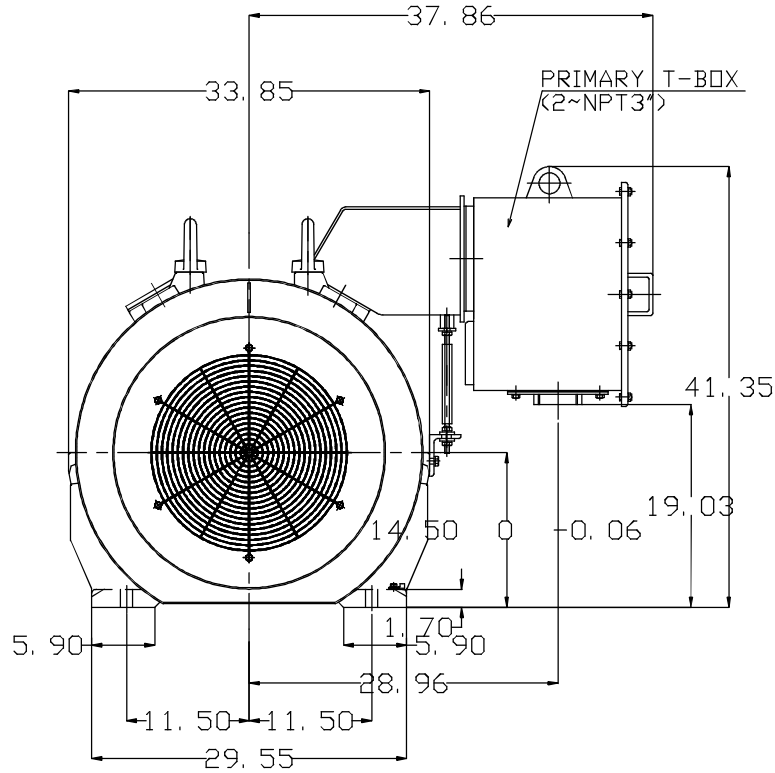


6 | 5 | 4 | 3 | 2 | 1

TYPE	OUTPUT		POLE	TIME RATING	VOLTAGE V	Hz	SYN.SPEED R.P.M
	HP.	KW.					
AEHE	600	448	4	CONT.	460	60	1800

TOTALLY ENCLOSED FAN-COOLED TYPE, SQUIRREL-CAGE ROTOR



- NOTE:
1. DIMENSIONS IN inch
 2. FRAME NO. 5808C
 3. F CLASS INSULATION, S.F.115
 4. FOR BELT DRIVE APPLICATIONS
 5. ENCLOSURE: IP55
 6. BEARING SIZE: DRIVE-END NU326C3
OPP. DRIVE-END 6322
 7. MOTOR APPROX. WEIGHT: 5800 lb

DATE	OUTLINE DIMENSIONS
CATALOG # E6004R	3-PHASE INDUCTION MOTOR

DWN.	Y.DU	MAR-22-2014
CHKD.	W.CHENG	MAR-29-2014
APPD.	C.SHIH	MAR-29-2014

TEC Westinghouse

DWG NO. REV:00
4B040C033