

# Product Information Packet

February 24, 2017

Data shown is for the current revision model #. Ensure your nameplate model # matches.

<b>Model Number:</b>	<b>5KS215CAA204D1</b>
<b>Catalog Number:</b>	<b>E9621</b>
<b>Instruction Manual:</b>	GEI-56128
<b>Connection Diagram:</b>	GEM2034E-FIG7
<b>Outline Drawing:</b>	4002B5821RAP5202

Accessory Connection Diagrams			
<b>Bearing Thermocouple:</b>	None	<b>Heater:</b>	None
<b>RTD:</b>	None	<b>Thermistor:</b>	None
<b>Thermostat:</b>	3027JE-2A	<b>Winding Thermocouple:</b>	None
<b>Bearing RTD:</b>	None		

## Table of Contents

Specification	01
Performance Characteristics	02
Outline Drawing	03
Connection Drawing(s)	04
Spare parts	05



**Marks:**

<b>MODEL NUMBER:</b>	<b>5KS215CAA204D1</b>	<b>Estimated Weight:</b>	220 Lbs
<b>Outline Drawing:</b>	4002B5821RAP5202	<b>Time Rating:</b>	CONT
<b>Connection Diagram:</b>	GEM2034E-FIG7	<b>Enclosure:</b>	TEFC
<b>Instruction Book:</b>	GEI-56128	<b>Encl Construction:</b>	XP
<b>Design Code:</b>	21BD1281B	<b>Ambient Max(°C):</b>	40
<b>Type:</b>	KS	<b>Alt Ambient Max(°C):</b>	--
<b>Frame:</b>	215T	<b>Insulation Class:</b>	F
<b>Phases:</b>	3	<b>NEMA Design:</b>	B
<b>Poles:</b>	4	<b>Nominal Efficiency:</b>	91.7 %
<b>Output Power:</b>	10HP 7.4KW	<b>Guaranteed Efficiency:</b>	90.2
<b>RPM:</b>	1770	<b>3/4 Load Efficiency:</b>	--
<b>Voltage:</b>	575	<b>KVA Code:</b>	H
<b>Hertz:</b>	60	<b>Max KVAR:</b>	3.3
<b>Amps - FL:</b>	9.9	<b>Power Factor:</b>	82.5
<b>Service Factor:</b>	1.00	<b>Bearing - DE:</b>	6208ZC3
<b>Alt Service Factor:</b>	--	<b>Bearing - ODE:</b>	6208ZC3

**Enclosure is Totally Enclosed Fan-Cooled**

---

**Stamped Nameplate Notes:**

EXPLOSION PROOF MOTOR  
TEMP CODE T3C  
THERMOSTAT LEADS TB1-TB2  
STAMP NP249A5571AD "CL I (C & D) CL II (F & G)"

**Additional Information:**

4P - T EXTN  
STANDARD FLOOR MOUNT  
C/BOX 55 CU IN-1.00 NPT  
F1 CONDUIT BOX MOUNTING  
AUX LEADS EXIT WITH MOTOR LEADS  
CL I C & D CL II F & G EXPLOSION PROOF MOTOR

**Performance Characteristics**

1st Winding 1st Connection

**Design: 21BD1281B**

**Marks:**

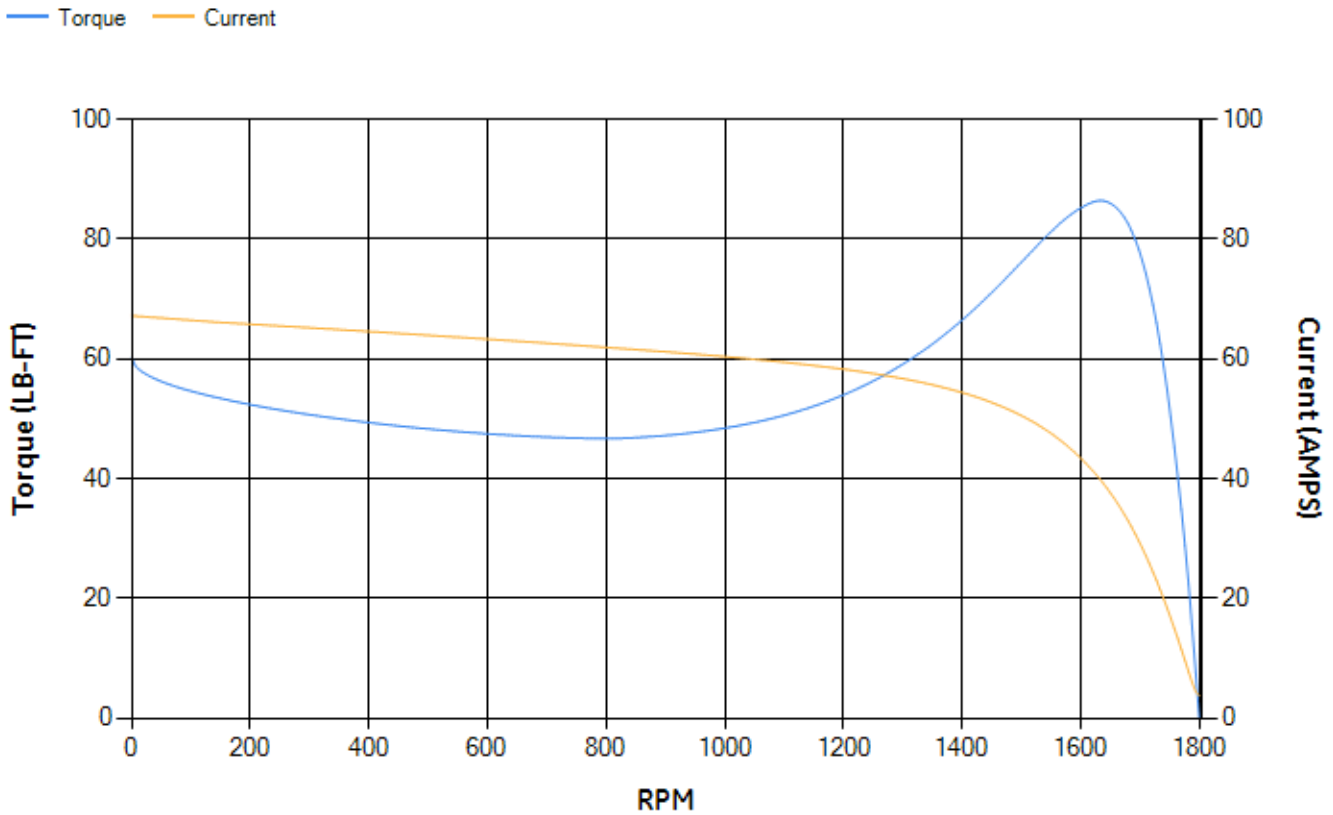
LOAD %	125.0	115.0	100.0	75.0	50.0	25.0	0.0
% EFF	90.48	91	91.84	92.27	91.94	88.42	0.00
% PF	83.81	83.56	82.62	78.86	69.74	48.28	5.64
AMPS	12.34	11.32	9.87	7.72	5.84	4.39	3.68

TORQ(FL)#FT	29.69	TORQ(LR)%FL	202.89	TORQ(BD)%FL	289.17
AMPS(LR)	67.18	PF AT START	0.41		

This motor is capable of two cold or one hot start with a maximum connected load inertia of 318 Lb-Ft Sq (13.39 Kg-meter Sq) at 100% voltage, where the load torque varies with the square of the speed. Acceleration time with maximum inertia and the above load type is 40 seconds. Safe stall time at 100% voltage is 89 seconds cold, 59 seconds hot. Rotor inertia is 1.08 Lb-Ft Sq (0.05 Kg-meter Sq).

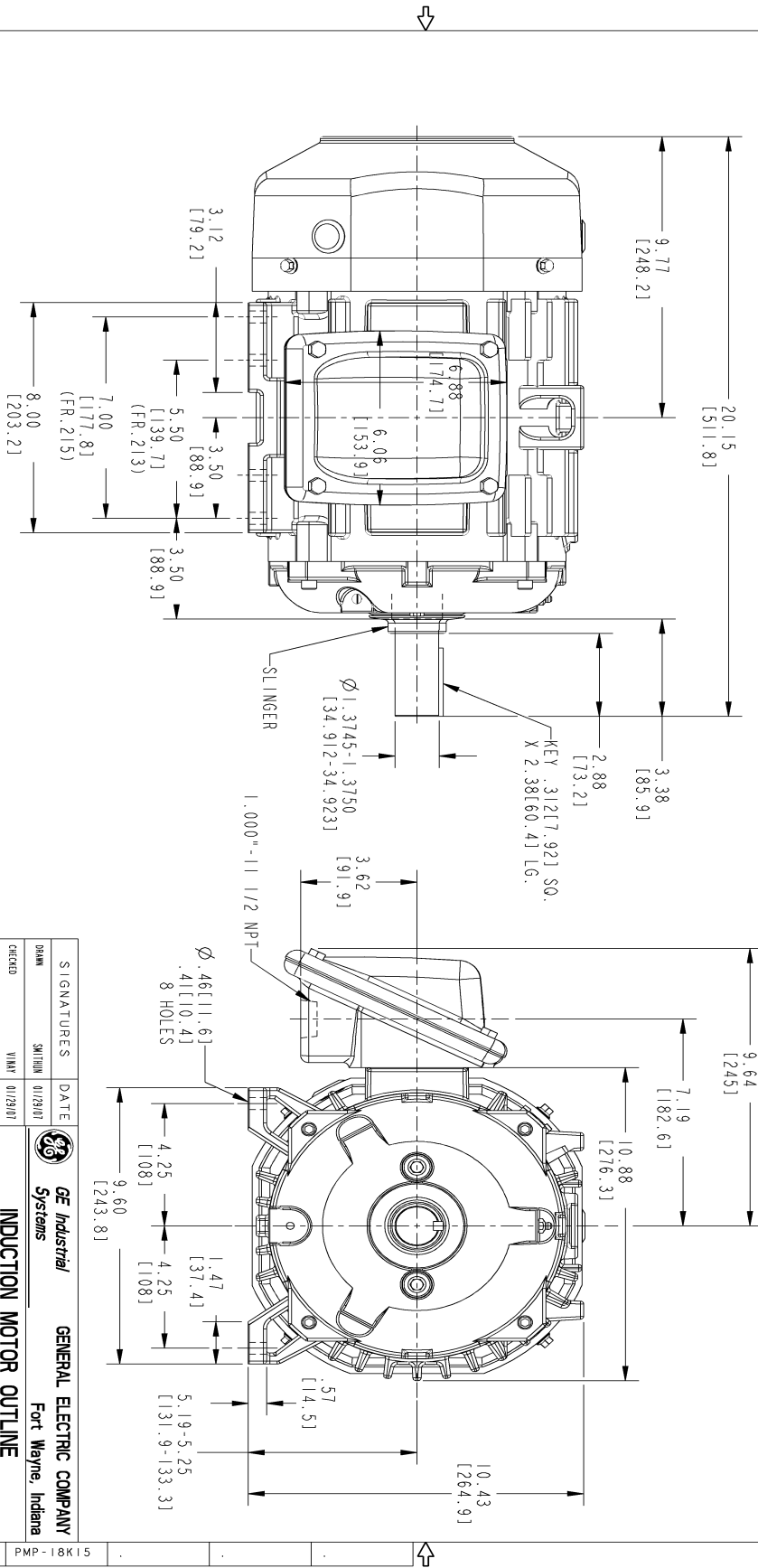
Open Circuit A-C:	0.399	Short Circuit D-C:	0.012
Short Circuit A-C:	0.019	X/R Ratio:	4.694
Stator Slots:	36	Rotor Slots:	28

**Speed Torque Current Curve (First Connection, First Speed)**



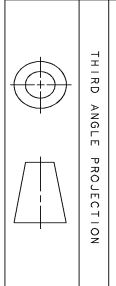
Marks:

NOTE 1: CONDUIT BOX MAY BE ASSEMBLED WITH ENTRANCE UP, DOWN OR TO EITHER SIDE.  
 NOTE 2: F1 ASSEMBLY AS SHOWN. F2 ASSEMBLY CONDUIT BOX ON OPPOSITE SIDE FROM SHOWN LOCATION.  
 NOTE 3: MOUNTING SURFACES TO BE SQUARE AND CONCENTRIC WITH SHAFT WITHIN .004 T.I.R.  
 NOTE 4: SHAFT RUNOUT NOT TO EXCEED .002 T.I.R.



SIZE DRAWING NO. 4002B5821RAP5202

REVISIONS			
REV.	DESCRIPTION	DATE	APPROVED
1	ISAC#14-0486	06/17/14	KARTHIK

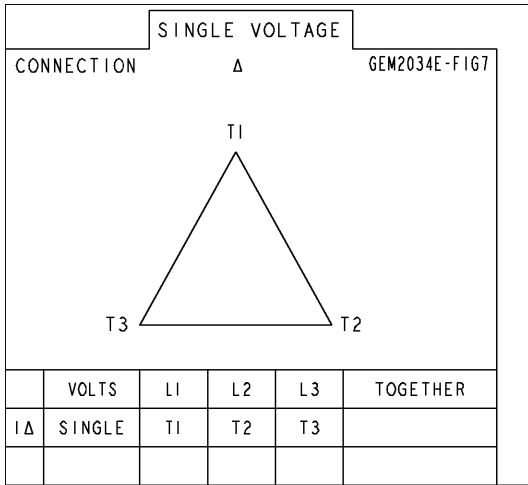


SIGNATURES	DATE	<p><b>GENERAL ELECTRIC COMPANY</b> Fort Wayne, Indiana</p> <p><b>INDUCTION MOTOR OUTLINE</b> STANDARD CONSTRUCTION</p> <p>FME: FR210T TFC EXPLOSION PROOF, 55 CU IN, C/BOX</p> <p>SIZE DRAWING: 4002B5821RAP5202</p> <p>SCALE: 0.300 REF. NO.: 4002B5821RAP5201 SHEET 1 OF 1</p>
DRAWN	01/29/01	
CHECKED	01/29/01	
ENGR	01/29/01	
ISSUED	01/29/01	REV. 1
APPLIED PRACTICES		

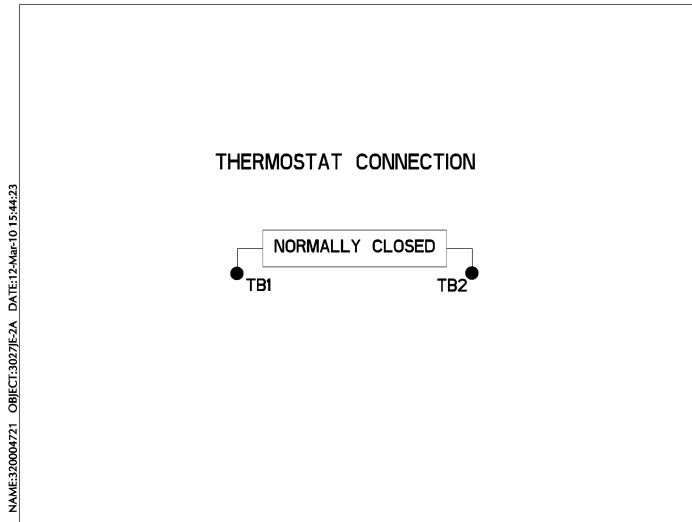
DISTRIBUTION: PMP-1BK15

Marks:

**Connection Diagram**  
**GEM2034E-FIG7**



**Thermostat Connection**  
**3027JE-2A**



End shield Assembly		
Part Description	DE Side Part#	ODE Side Part#
End Shield	4004D5272PA1	4004D5272SA1
Bearing	235A2503AE01	235A2503AE01
Slinger/Inproseal	235A2300BX1	

Fan & Fan Cover Assembly	
Part Description	Part#
Fan	159C6700G01
Fan Cover	4003C5787PA1

Conduit & Accessories Box Assembly	
Part Description	Part#
Conduit Box	4002B5725RA-G04

Mechanical Accessories	
Part Description	Part#
Brake	
Tachometer	

