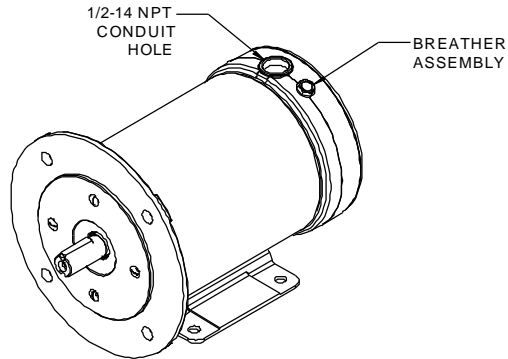


DASH NO.	"C"	"AD"
525	9.24	6.29
550	9.50	6.54
575	9.75	6.79
600	10.00	7.04
625	10.75	7.29
650	11.00	7.54
675	11.75	7.79
700	12.00	8.04
725	12.75	8.29
750	13.00	8.54



		TOLERANCES UNLESS SPECIFIED				DRAWN PVR 10/08/13	
		DEC	INCHES			CHK JD 10/08/13	
		X	$\pm .1$	APPR		SCALE 1:4	
		XX	$\pm .03$	TITLE OUTLINE - 48 FR		REF 031997	
		XXX	$\pm .005$	IEC 80- B5 FRAME- RIGID		FMF 080T17V5333	
		XXXX	$\pm .0005$	MAT'L		PAGE 1 OF 1	
NO	REVISION	BY & DATE	CHK LANG $\pm 1/2^\circ$	FINISH	PREV	SIZE B	DRAWING NO 031997ME
THIRD ANGLE PROJECTION		RFP		NETWORK FILE NAME 031997ME		REV	