

Product Information Packet

November 8, 2016

Data shown is for the current revision model #. Ensure your nameplate model # matches.

Model Number:	5KS143SAA140C
Catalog Number:	M9171
Instruction Manual:	GEI-56128
Connection Diagram:	GEM2034E-FIG1
Outline Drawing:	4002B5814PAP5201

Accessory Connection Diagrams			
Bearing Thermocouple:	None	Heater:	None
RTD:	None	Thermistor:	None
Thermostat:	None	Winding Thermocouple:	None
Bearing RTD:	None		

Table of Contents

Specification	01
Performance Characteristics	02
Outline Drawing	03
Connection Drawing(s)	04
Spare parts	05



Marks:

MODEL NUMBER:	5KS143SAA140C	Estimated Weight:	43 Lbs
Outline Drawing:	4002B5814PAP5201	Time Rating:	CONT
Connection Diagram:	GEM2034E-FIG1	Enclosure:	TEFC
Instruction Book:	GEI-56128	Encl Construction:	X\$D
Design Code:	14BD0044A	Ambient Max(°C):	40
Type:	KS	Alt Ambient Max(°C):	65
Frame:	143T	Insulation Class:	H
Phases:	3	NEMA Design:	--
Poles:	2	Nominal Efficiency:	80 %
Output Power:	1HP 0.7KW	Guaranteed Efficiency:	78.5
RPM:	3515	3/4 Load Efficiency:	80.1
Voltage:	460	KVA Code:	N
Hertz:	60	Max KVAR:	0.4
Amps - FL:	1.4	Power Factor:	81.0
Service Factor:	1.25	Bearing - DE:	6205ZC3
Alt Service Factor:	1.00	Bearing - ODE:	6205ZC3

Enclosure is Totally Enclosed Fan-Cooled

Stamped Nameplate Notes:

SF AMPS 1.7
 STAMP NP249A5564P051 AS BELOW:
 MODEL:5KS143SAA140C S/N: XXX
 CSA CERTIFIED CSA09.2216219 FOR EX NA IIC 200C GC
 CL 1 ZONE2 AEX NA IIC 200C;CL 1 DIV2 GRP ABCD 200C
 IN -40C <= AMB <= 40C, 1.0 SF ON SINE-WAVE PWR
 SURF TEMP 200C AT 1.25SF ON SINE-WAVE PWR
 OR 200 C VT OR 200 C CT OR 200 C CHP PWM CONTROL
 ALTERNATE RATING FOR PWM CONTROL 1.0SF 40C AMB
 VT 0-60 HZ, CT 3-60 HZ , CHP 60-90 HZ.

Additional Information:

2P - T EXTN
 STANDARD FLOOR MOUNT
 C/BOX 30 CU IN-0.75 NPT
 F1 CONDUIT BOX MOUNTING
 OIL RESISTANT SLEEVING ON LEADS

Performance Characteristics

1st Winding 1st Connection

Design: 14BD0044A

Marks:

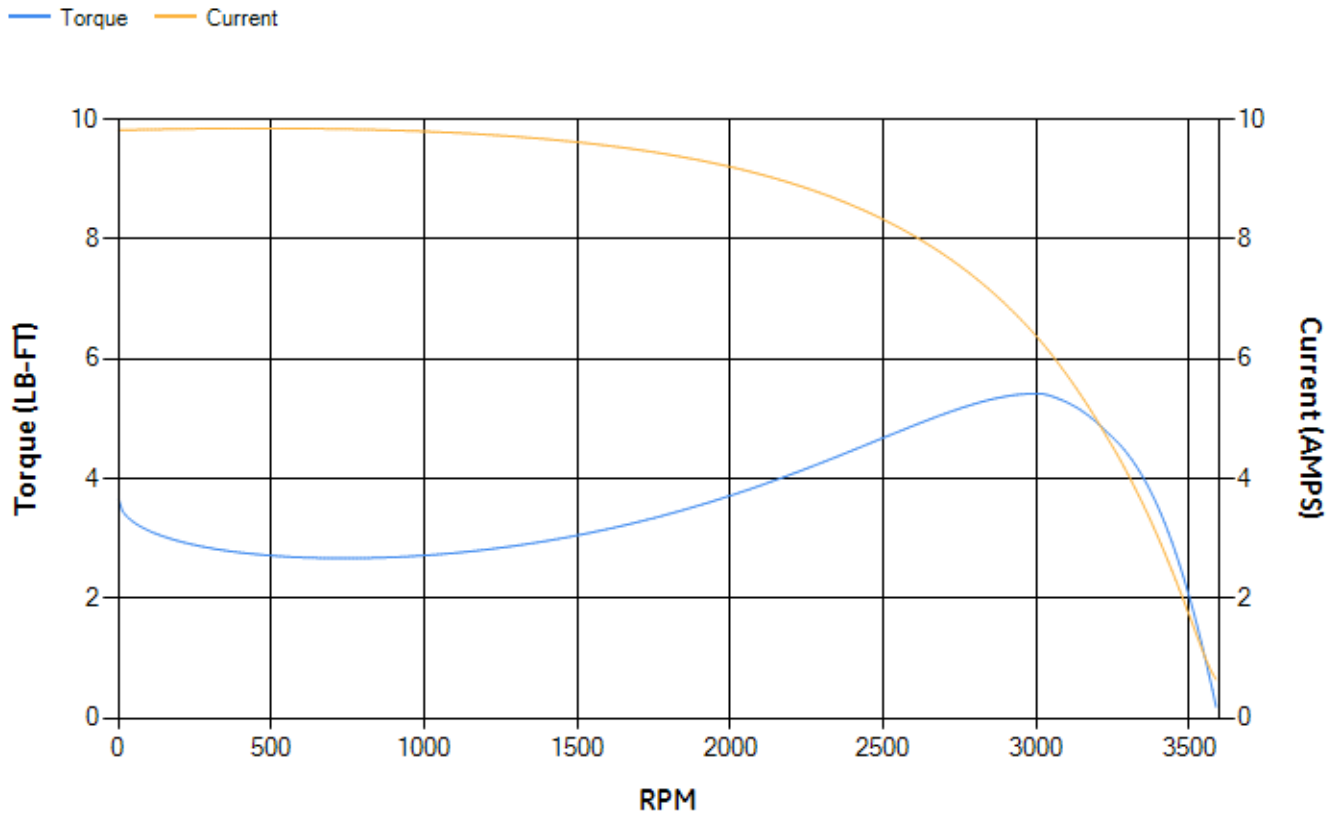
LOAD %	125.0	115.0	100.0	75.0	50.0	25.0	0.0
% EFF	80.27	80.61	81.02	80.07	76.71	65.71	0.00
% PF	84.36	83.2	84.52	74.67	63.62	44.42	17.34
AMPS	1.73	1.6	1.35	1.17	0.96	0.8	0.6

TORQ(FL)#FT	1.49	TORQ(LR)%FL	245.14	TORQ(BD)%FL	354.42
AMPS(LR)	9.82	PF AT START	0.56		

This motor is capable of two cold or one hot start with a maximum connected load inertia of 10 Lb-Ft Sq (0.42 Kg-meter Sq) at 100% voltage, where the load torque varies with the square of the speed. Acceleration time with maximum inertia and the above load type is 39 seconds. Safe stall time at 100% voltage is 87 seconds cold, 66 seconds hot. Rotor inertia is 0.03 Lb-Ft Sq (0 Kg-meter Sq).

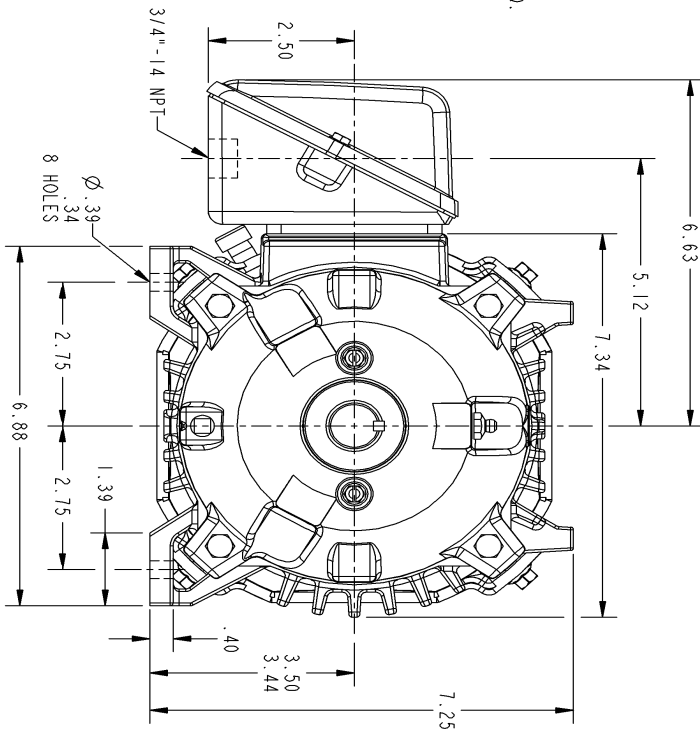
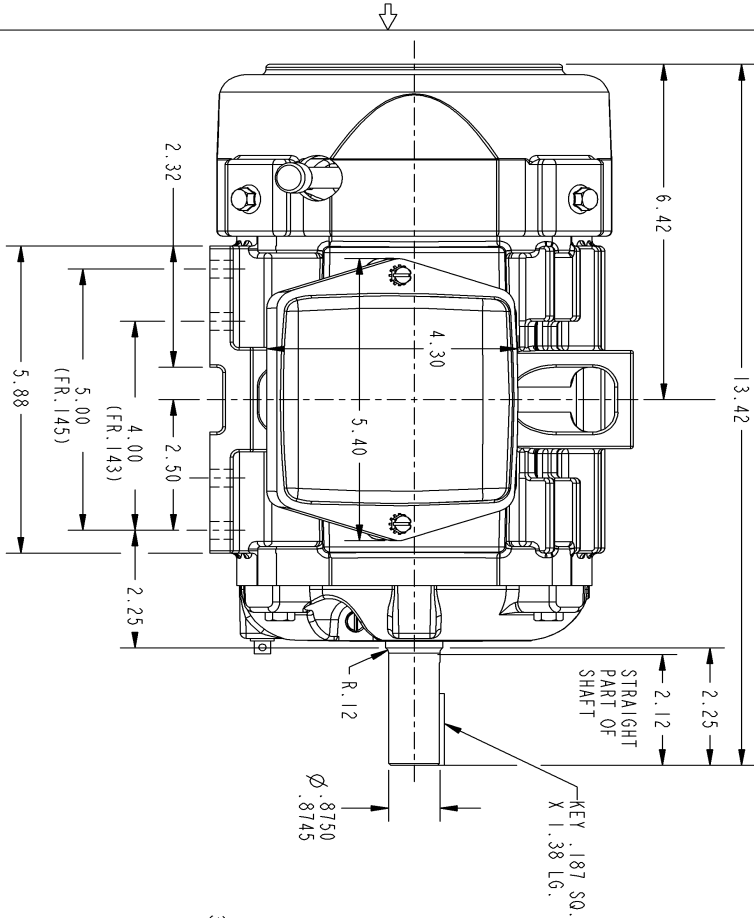
Open Circuit A-C:	0.237	Short Circuit D-C:	0.005
Short Circuit A-C:	0.011	X/R Ratio:	1.835
Stator Slots:	24	Rotor Slots:	34

Speed Torque Current Curve (First Connection, First Speed)



Marks:

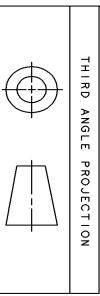
NOTE 1: CONDUIT BOX MAY BE ASSEMBLED WITH ENTRANCE UP, DOWN OR TO EITHER SIDE.
 NOTE 2: F1 ASSEMBLY AS SHOWN. F2 ASSEMBLY CONDUIT BOX ON OPPOSITE SIDE FROM SHOWN LOCATION.



SIZE DRAWING NO.
B 4002B5814PAP5201

SM REV
1 1

REV.	DESCRIPTION	DATE	APPROVED
1.	REMOVED - ULTRA - FROM DESCRIPTION	05/21/03	DCMOHAN



SIGNATURES	DATE	GE Logo	GENERAL ELECTRIC COMPANY
DRWN: GART WARRINE	OCT 24/01	Systems	Fort Wayne, Indiana
CHECKED: GART WARRINE	MAY 22/02		
ISSUED: GART WARRINE	JUN 05/02		

INDUCTION MOTOR OUTLINE
 STANDARD CONSTRUCTION
 FME: FR140T TEFC

SCALE: 0.500 REF. NO.: 4002B5814PAP5201 SHEET 1 OF 1

DISTRIBUTION: PMP-18K15

Marks:

Connection Diagram
GEM2034E-FIG1



End shield Assembly		
Part Description	DE Side Part#	ODE Side Part#
End Shield	4004D5280PB1	4004D5280SG1
Bearing	235A2600AA01	235A2600AA01
Slinger/Inproseal	149C4399G15	149C4399G15

Fan & Fan Cover Assembly	
Part Description	Part#
Fan	4001A5914AM-G01
Fan Cover	4003C5785PA1

Conduit & Accessories Box Assembly	
Part Description	Part#
Conduit Box	4002B5718PA-G01

Mechanical Accessories	
Part Description	Part#
Brake	
Tachometer	