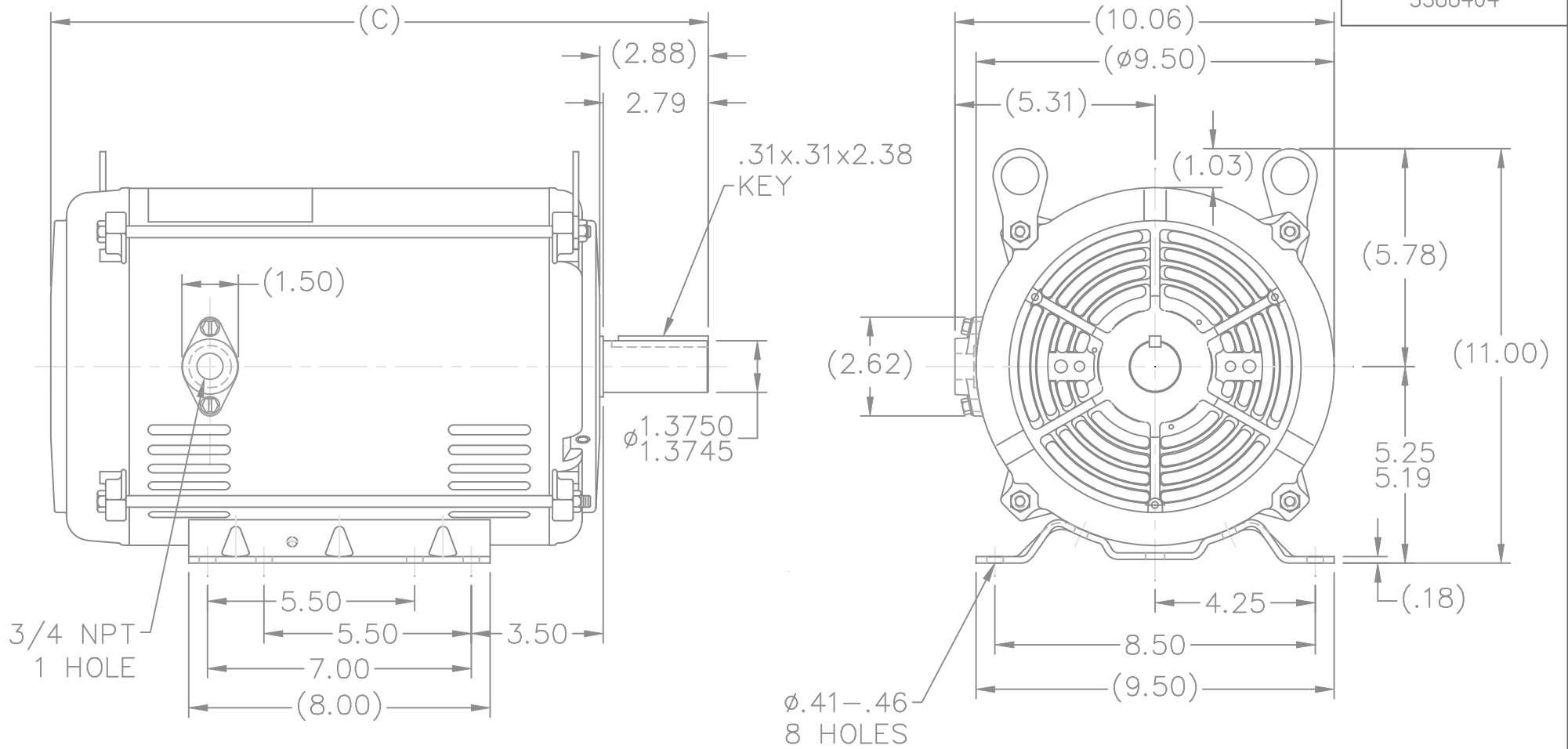


SS88464



DASH	FR.	C	BS
965	213T	15.95	5.43
1115	213/15T	17.45	6.93
1240	213/15T	18.70	8.18

NOTES:

1. NAMEPLATE TO BE READ FROM LEAD EXIT SIDE OF MOTOR.
2. SEE MODEL FOR LEAD LENGTH.

				TOLERANCES UNLESS SPECIFIED			DRAWN CAV 6/8/2001			
NO.	REVISION	BY & DATE	CHK	ANG	±		SCALE	REF	PREV	
5	REPLACED ADAPTER PLATE W/LEESON PLATE 07-1734	MSG 11-06-2008	MSG	DEC.	INCHES	MARATHON ELECTRIC TITLE OUTLINE 210T FR. - BB - SS - DR.PR. - 1Ø MAT'L. FINISH	CHK	CAV 6/8/2001		
4	UPDATED DRAWING	TJW 05/04/2007		.X	±.1		APPD	DR 6/12/2001		
3	3/4 NPT HOLE WAS 1 NPT HOLE CN35062	DRS 5/1/2002	ML	.XX	±.03	SCALE	1=4			
2	REMOVED MOUNTING AND NOTE 3	DRS 10/9/2001		.XXX	±.005	REF				
1	NEW DRAWING MU37695	CAV 6/12/2001		.XXXX	±.0005	FMF				
					±7'30"	PREV				
THIS DRAWING IN DESIGN AND DETAIL IS OUR PROPERTY AND MUST NOT BE USED EXCEPT IN CONNECTION WITH OUR WORK ALL RIGHTS OF DESIGN AND INVENTION ARE RESERVED THIS IS AN ELECTRONICALLY GENERATED DOCUMENT - DO NOT SCALE THIS PRINT				RFP	CAD FILE ss88464			SIZE	DRAWING NO. PAGE 1 OF 1	REV.
				DIST	LB	A	SS88464	5		