

Product Information Packet

January 12, 2017

Data shown is for the current revision model #. Ensure your nameplate model # matches.

Model Number:	5KS182CAA304B
Catalog Number:	E9602
Instruction Manual:	GEI-56128
Connection Diagram:	GEM2034E-FIG1
Outline Drawing:	4002B5818RAP5201

Accessory Connection Diagrams			
Bearing Thermocouple:	None	Heater:	None
RTD:	None	Thermistor:	None
Thermostat:	3027JE-2A	Winding Thermocouple:	None
Bearing RTD:	None		

Table of Contents	
Specification	01
Performance Characteristics	02
Outline Drawing	03
Connection Drawing(s)	04



Marks:

MODEL NUMBER:	5KS182CAA304B	Estimated Weight:	76 Lbs
Outline Drawing:	4002B5818RAP5201	Time Rating:	CONT
Connection Diagram:	GEM2034E-FIG1	Enclosure:	TEFC
Instruction Book:	GEI-56128	Encl Construction:	XP
Design Code:	18BD3001B	Ambient Max(°C):	40
Type:	KS	Alt Ambient Max(°C):	--
Frame:	182T	Insulation Class:	F
Phases:	3	NEMA Design:	B
Poles:	6	Nominal Efficiency:	87.5 %
Output Power:	1.5HP 1.1KW	Guaranteed Efficiency:	85.5
RPM:	1175	3/4 Load Efficiency:	88.1
Voltage:	575	KVA Code:	M
Hertz:	60	Max KVAR:	1.0
Amps - FL:	1.9	Power Factor:	67.5
Service Factor:	1.00	Bearing - DE:	6206ZC3
Alt Service Factor:	--	Bearing - ODE:	6206ZC3

Enclosure is Totally Enclosed Fan-Cooled

Stamped Nameplate Notes:

EXPLOSION PROOF MOTOR
TEMP CODE T3C
THERMOSTAT LEADS TB1-TB2
STAMP NP249A5571AC "CL I (C & D) CL II (F & G)"

Additional Information:

6P - T EXTN
STANDARD FLOOR MOUNT
C/BOX 26 CU IN-0.75 NPT
F1 CONDUIT BOX MOUNTING
AUX LEADS EXIT WITH MOTOR LEADS
CL I C & D CL II F & G EXPLOSION PROOF MOTOR

Performance Characteristics

1st Winding 1st Connection

Design: 18BD3001B

Marks:

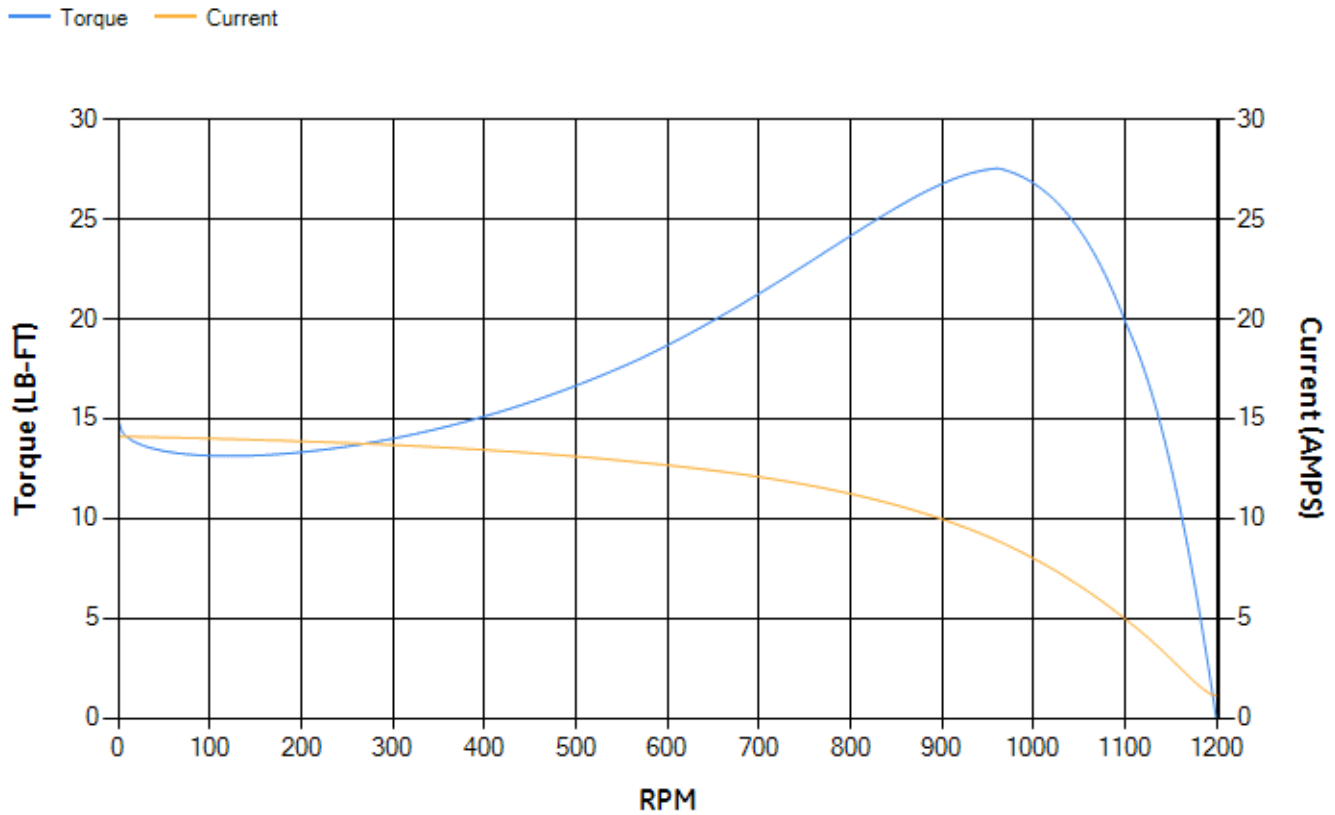
LOAD %	125.0	115.0	100.0	75.0	50.0	25.0	0.0
% EFF	87.54	87.88	88.41	88.11	86.38	79.28	0.00
% PF	73.37	71.43	69.59	59.28	46.48	28.39	5.87
AMPS	2.19	2.06	1.83	1.61	1.4	1.25	1.11

TORQ(FL)#FT	6.71	TORQ(LR)%FL	221.56	TORQ(BD)%FL	400.95
AMPS(LR)	14.11	PF AT START	0.46		

This motor is capable of two cold or one hot start with a maximum connected load inertia of 253 Lb-Ft Sq (10.65 Kg-meter Sq)at 100% voltage, where the load torque varies with the square of the speed. Acceleration time with maximum inertia and the above load type is 60 seconds. Safe stall time at 100% voltage is 133 seconds cold, 112 seconds hot. Rotor inertia is 0.35 Lb-Ft Sq (0.01 Kg-meter Sq).

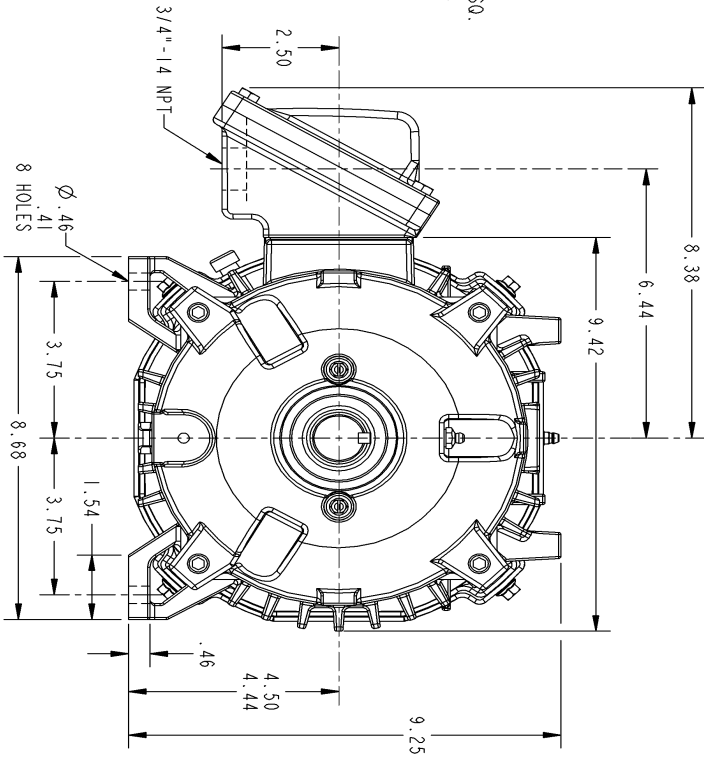
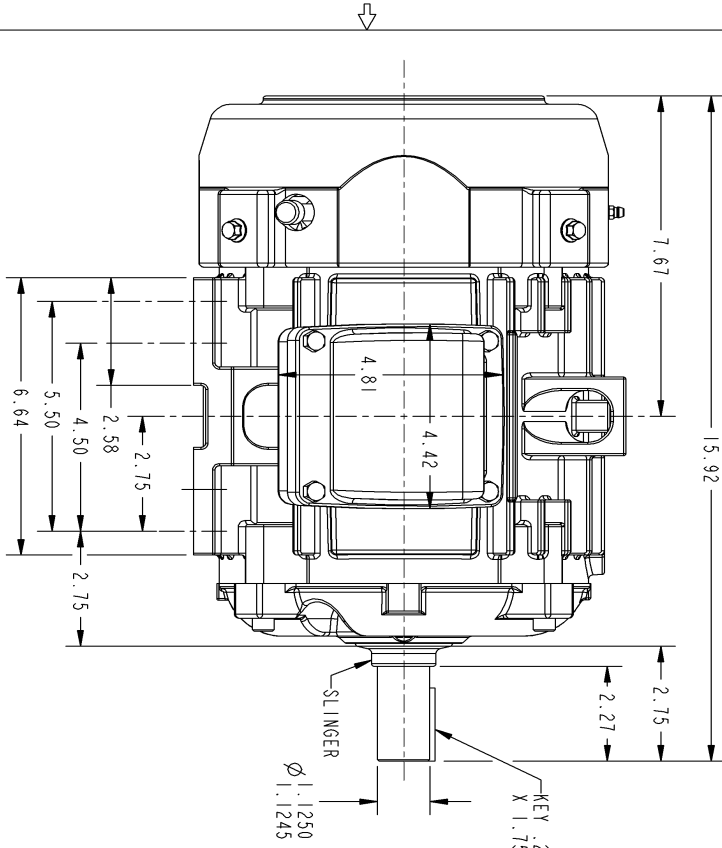
Open Circuit A-C:	0.162	Short Circuit D-C:	0.008
Short Circuit A-C:	0.011	X/R Ratio:	3.157
Stator Slots:	36	Rotor Slots:	48

Speed Torque Current Curve (First Connection, First Speed)



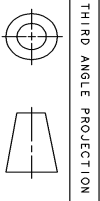
Marks:

NOTE 1: CONDUIT BOX MAY BE ASSEMBLED WITH ENTRANCE UP, DOWN OR TO EITHER SIDE.
 NOTE 2: F1 ASSEMBLY AS SHOWN. F2 ASSEMBLY CONDUIT BOX ON OPPOSITE SIDE FROM SHOWN LOCATION.



SIZE 0
 4002B5818RAP5201

REV.	DESCRIPTION	DATE	APPROVED



THIRD ANGLE PROJECTION

SIGNATURES	DATE	REV.
DRWN: GARY WARRNER	APR 24/02	0
CHEK: GARY WARRNER	MAY 01/02	
ISSD: GARY WARRNER	MAY 02/02	

APPLIED PRACTICES

SCALE: 0.400 REF. NO: 4002B5818RAP5201 SHEET 1 OF 1

GE Industrial Systems
GENERAL ELECTRIC COMPANY
 Fort Wayne, Indiana

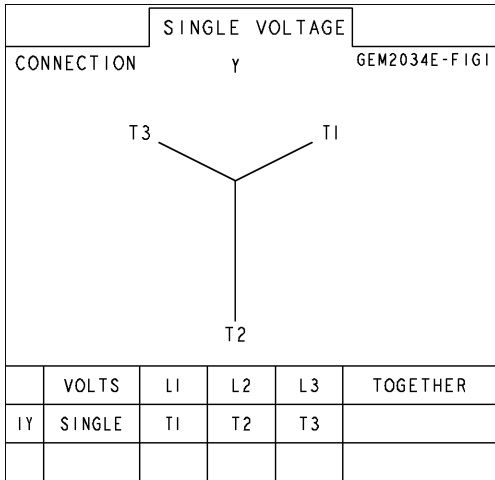
INDUCTION MOTOR OUTLINE
 STANDARD CONSTRUCTION
 FME: FR180T FCXP XSD ULTRA

SIZE DRAWING
4002B5818RAP5201

DISTRIBUTION: PMP-18K15

Marks:

Connection Diagram
GEM2034E-FIG1



Thermostat Connection
3027JE-2A

