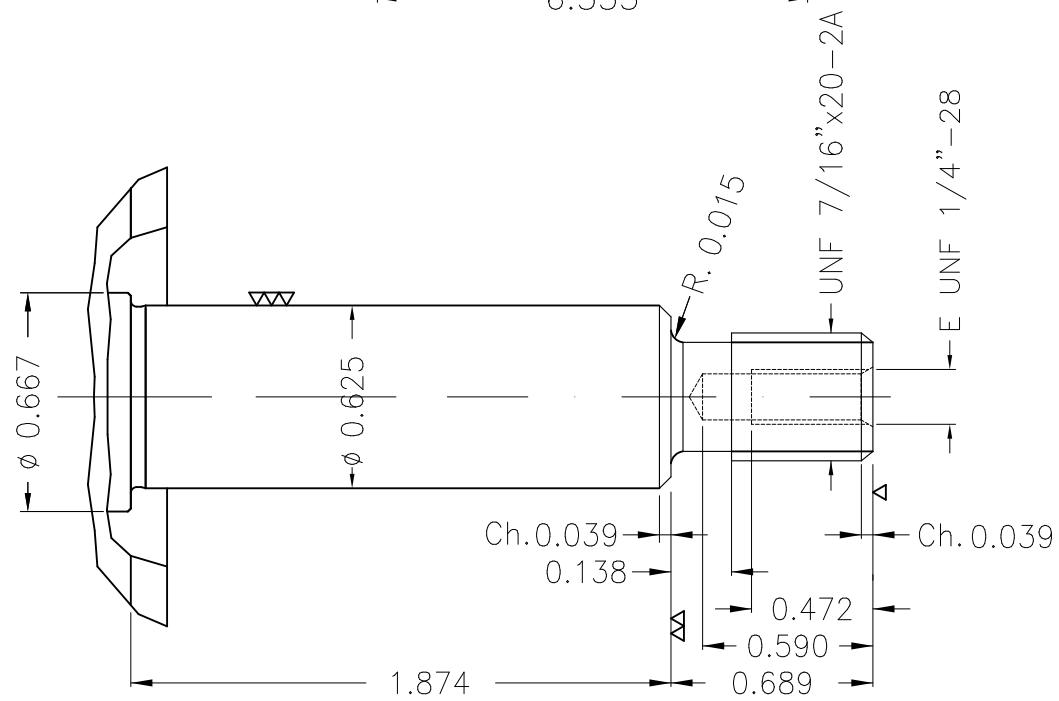
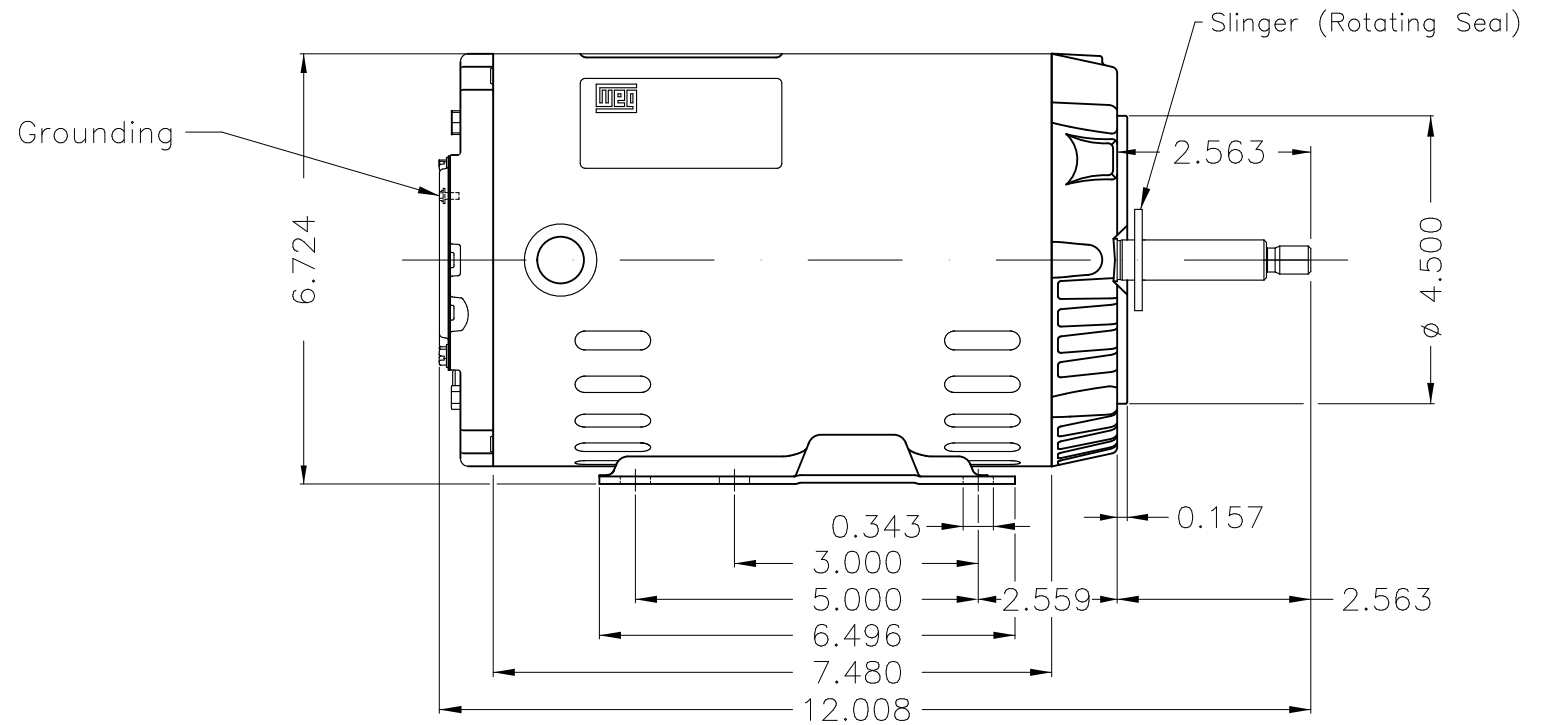
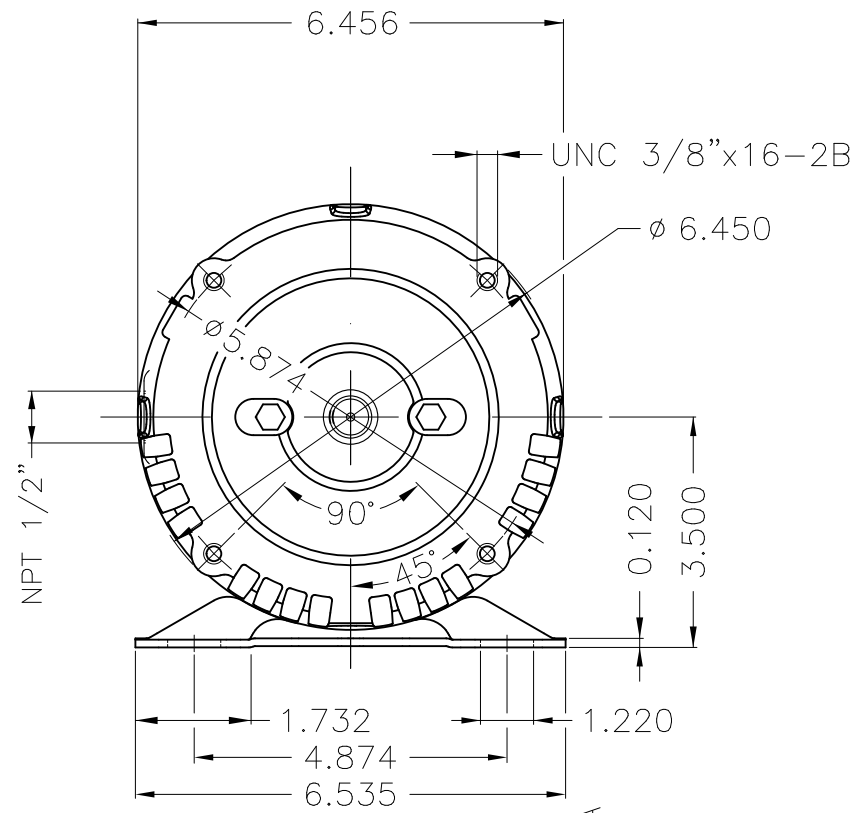


Dimensões em polegada  
Dimensions in inches

THIS IS AN UPDATED REVISION, THE  
PREVIOUS ONE MUST BE DISREGARDED.



Without coating						
Mounting F-1/B34R(D)						
ECM	LOC	SUMMARY OF MODIFICATIONS		EXECUTED	CHECKED	RELEASED
EXECUTED	USERADMIN	THREE PHASE ODP ROLLED STEEL				
CHECKED		FRAME 56HJ ODP				
RELEASED		WEG code: 12676619				
REL DT	24.07.2017	WMO	Jaragua do Sul	Product Engineering	SHEET	1 / 1

2 HP 02 Poles 60Hz

A

