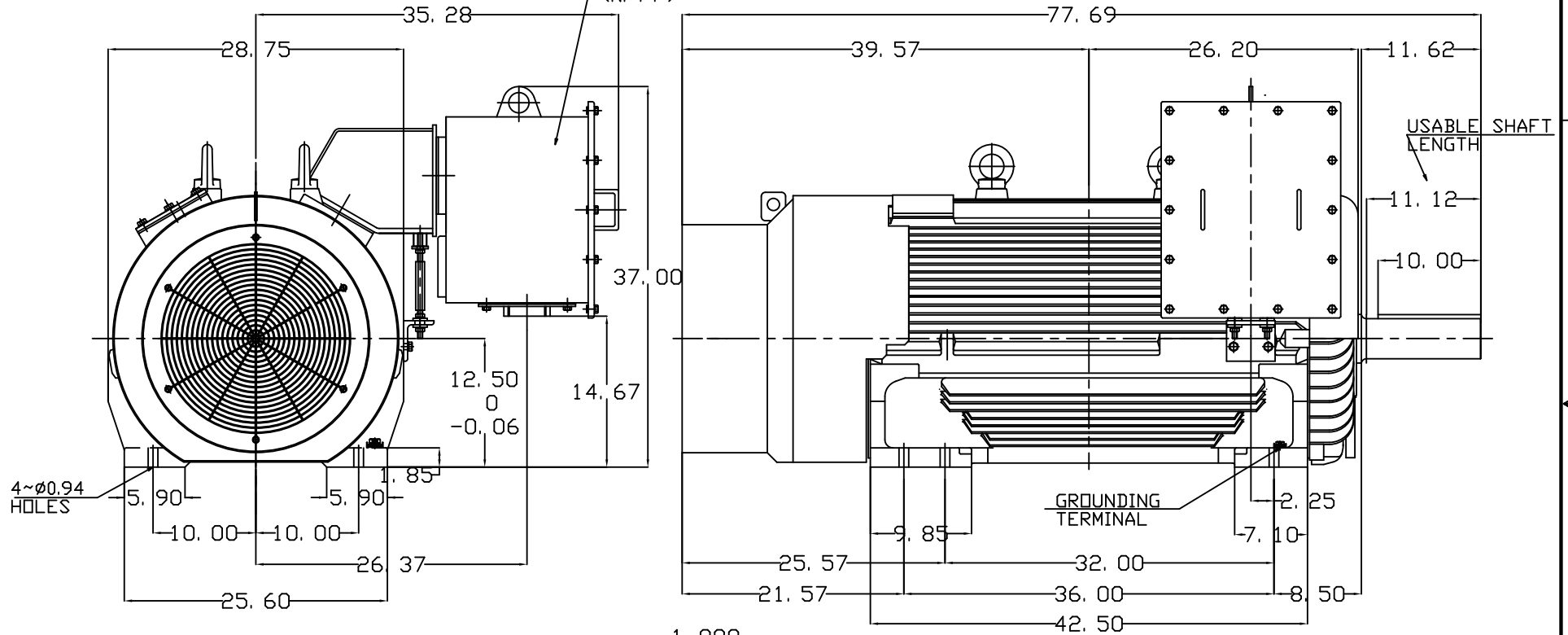


TYPE	OUTPUT		POLE	TIME RATING	VOLTAGE V	Hz	SYN.SPEED R.P.M
	HP.	kW.					
AEHH8N	450	336	4	CONT.	460	60	1800

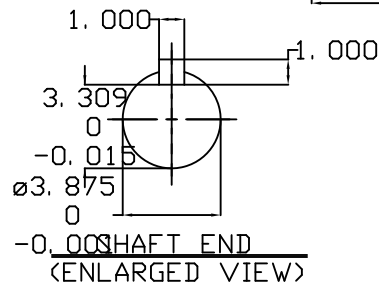
TOTALLY ENCLOSED FAN-COOLED TYPE, SQUIRREL-CAGE ROTOR

PRIMARY T-BOX
(NPT4")



NOTE:

1. DIMENSIONS IN inch
2. FRAME NO. 5011B(5010B)
3. F CLASS INSULATION, S.F.1.15
4. FOR DIRECT FLEXIBLE COUPLING
5. ENCLOSURE: IP54
6. BEARING SIZE: DRIVE-END 6324
OPP. DRIVE-END 6320
7. MOTOR APPROX. WEIGHT: 4800 lb



DATE	OUTLINE DIMENSIONS	
CATALOG #	EP4504	3-PHASE INDUCTION MOTOR
DWN. Y.DU	MAR-20-2014	DWG NO. REV:00
CHKD. W.CHENG	MAR-29-2014	4B040C012
APPD. C.SHIH	MAR-29-2014	

TECO Westinghouse