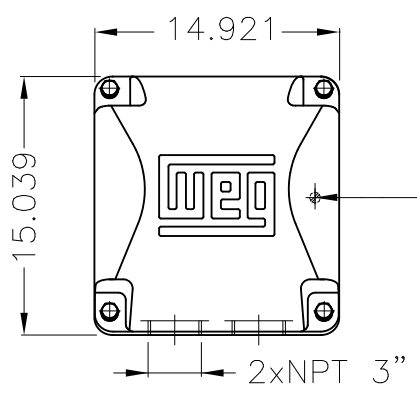
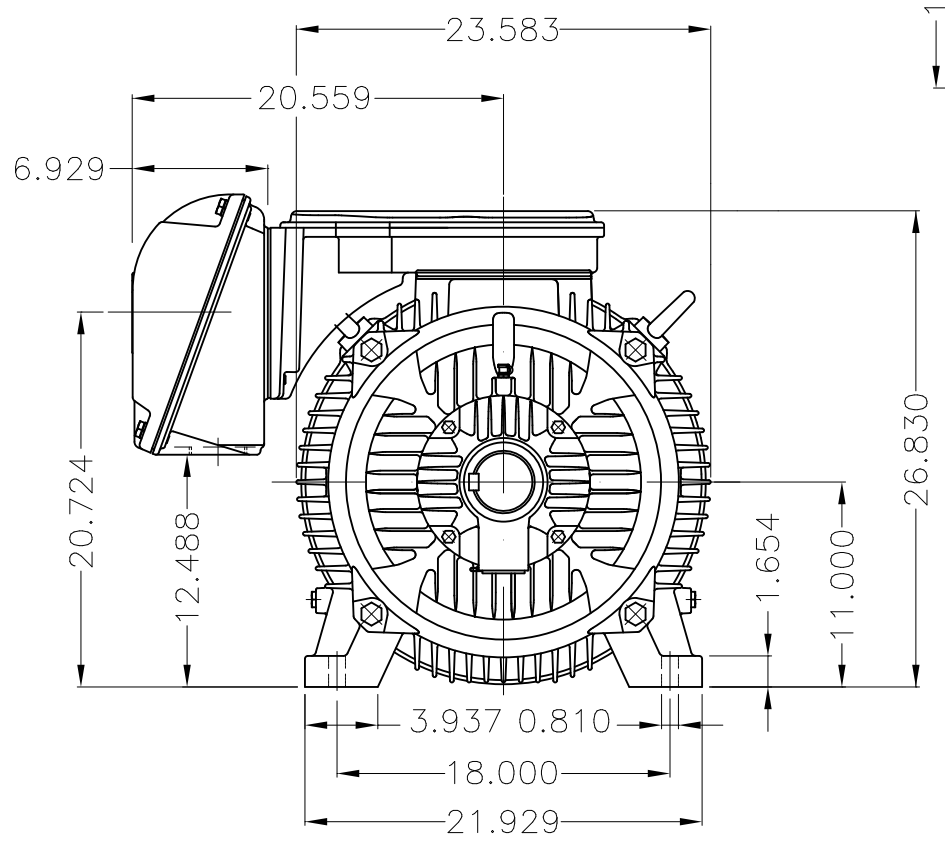


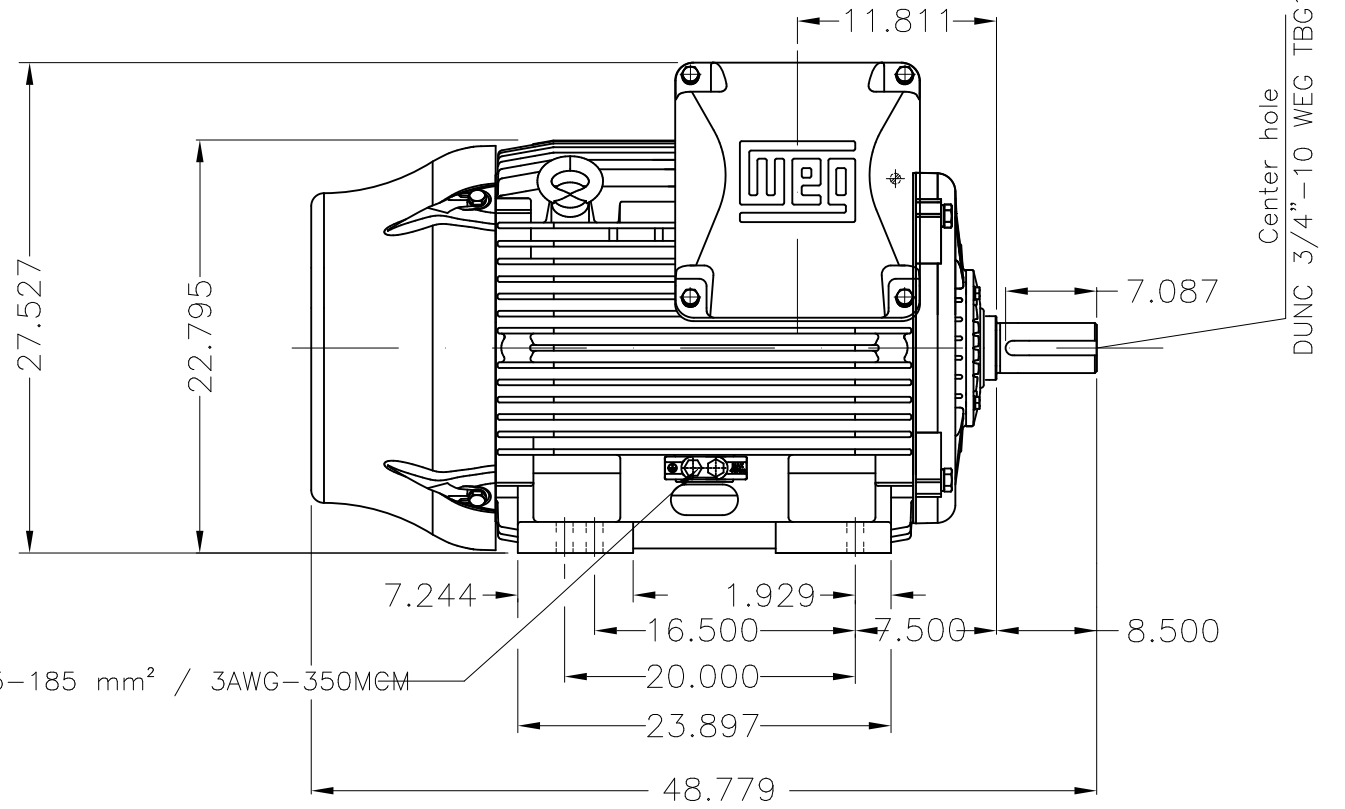
Dimensões em polegada
Dimensions in inches

THIS IS AN UPDATED REVISION, THE
PREVIOUS ONE MUST BE DISREGARDED.

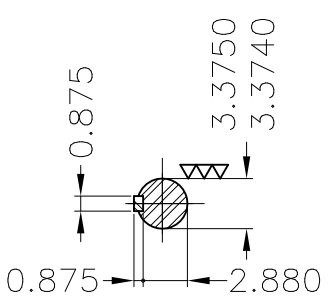
A
B
C
D
E



Main terminal box



Grounding for leads 25-185 mm² / 3AWG-350MCM



DE Shaft End

Color RAL 5009
Painting plan 203A
Mounting B3R(D)

| ECM | LOC | SUMMARY OF MODIFICATIONS | | | EXECUTED | CHECKED | RELEASED | DATE | VER |
|----------|------------|--------------------------|--|---------------------|----------|---------|----------|------|-----|
| EXECUTED | USERADMIN | | THREE PHASE W22 MOTOR - NEMA PREMIUM EFF | | | | | | |
| CHECKED | | | FRAME 445/7T IP55 TEFC | | | | | | |
| RELEASED | | | WEG code: 11165038 | | | | | | |
| REL DT | 24.07.2017 | WMO | Jaragua do Sul | Product Engineering | SHEET | 1 / 1 | | | |

200 HP 04 Poles 60Hz

A

