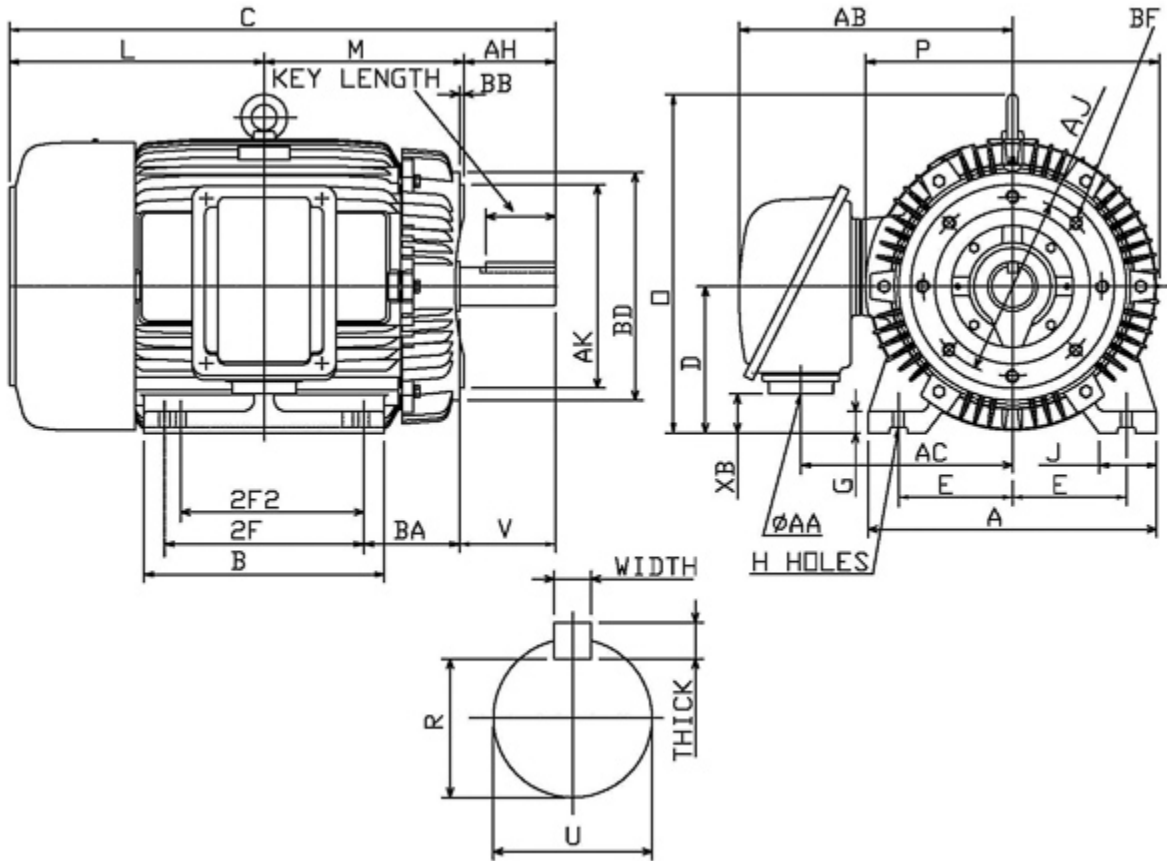


Dimensional Drawing

| Catalogue | Model | HP | Pole | kW | Rating | Voltage | Hz | RPM |
|-----------|--------|----|------|----|------------|---------|----|------|
| PDH03025C | AEHH8N | 30 | 2 | 22 | Continuous | 575 V | 60 | 3600 |



| Frame Size | Mounting | | | | | A | B | C | CD | D | |
|------------------|----------|------|----------|---------|--------------------|-------------|------------|-------|-----------------|------------|-----------|
| | E | 2F | 2F2 | H | BA | | | | | | |
| 286TSC | 5.5 | 11 | 9.5 | 0.53 | 4.75 | 14 | 13.2 | 26.93 | | 7 | |
| G | J | K | L | M | O | P | T | Key | | | Keyseat |
| 0.7 | 2.95 | | 13.43 | 10.06 | 14.52 | 15.04 | 1.97 | Width | Thick | Length | R |
| | | | | | | | | 0.375 | 0.375 | 1.93 | 1.416 |
| Terminal Housing | | | | Aux Box | | C/D Flange | | | | | |
| AA | AB | AC | XB | AE | AX | BB | AH | AK | BD | AJ | BF |
| 1.25 NPT | 12.28 | 9.84 | 3.97 | | | 0.25 | 3 | 10.5 | 11.22 | 9 | 1/2-13UNC |
| Shaft Extension | | | Bearings | | Approx. Weight Lbs | SPL dBA/3ft | Ins. Class | S.F. | Drive Method | Dimensions | |
| N-W | U | V | DE | NDE | | | | | | | |
| 3.25 | 1.625 | 3.2 | 6211C3 | 6211C3 | 482 | 77 | F | 1.15 | Direct Coupling | Inches | |

Technical Data Sheet

Motor Type: AEHH8N

Catalogue No: PDH03025C

Nameplate Information

| | | | | | | |
|-----------|------------|----------------|-------------|-------------|--------------|----------------|
| HP | Pole | RPM | Frame | Voltage | Hz | Phase |
| 30 | 2 | 3545 | 286TSC | 575 | 60 | 3 |
| Enclosure | Ins. Class | Service Factor | Time Rating | NEMA Design | Rated Amb. | Rated Altitude |
| TEFC | F | 1.15 | Continuous | B | -40 to 40 °C | <3300 ft |

Typical Performance

| Efficiency (%) | | | | Power Factor (%) | | |
|-------------------|-----------------------------|---------------------------------|--------------------------------------|---------------------|-----------|--------------------------------|
| Full Load | | 3/4 Load | 1/2 Load | Full Load | 3/4 Load | 1/2 Load |
| Nom. | Min. | | | | | |
| 93.0 | 91.7 | 93.6 | 93.0 | 91.0 | 90.5 | 87.5 |
| Torque | | | | Current (A) | | |
| Full Load (lb-ft) | Locked Rotor (% FLT) | Pull Up (% FLT) | Break Down (% FLT) | No Load | Full Load | Locked Rotor |
| 44.43 | 175 | 140 | 240 | 4.8 | 26.6 | 174 |
| NEMA KVA Code | Inertia (WR ²) | | | Safe Stall Time (s) | | Noise Level Sound Press. dB(A) |
| | Rotor (lb-ft ²) | NEMA Load (lb-ft ²) | Max. Allowable (lb-ft ²) | Cold | Hot | |
| G | 2.831 | 30.0 | 73.0 | 24 | 17 | 77 |

VFD Duty Information

| Speed Range | | | VFD | | S.F. |
|-----------------|-----------------|----------------|---------|--------------|------|
| Constant Torque | Variable Torque | Constant Power | Carrier | Type | |
| 6-60Hz | 3-60Hz | 60-90Hz | ≤ 5 kHz | VPWM or CPWM | |

Additional Information

| Bearings | | Approx. Weight |
|----------|--------|----------------|
| DE | NDE | lbs |
| 6211C3 | 6211C3 | 482 |

Hazardous Locations Information

| CSA Certified | |
|---|-----------|
| Class I, Div 2, Groups B, C & D | |
| Class I, Zone 2, Groups IIB+H2, IIB & IIA | |
| Temp Code (Sinewave / VFD) | T3C / T3B |