

DATE
Jan. 14, 2009
CAT. #: VH0254

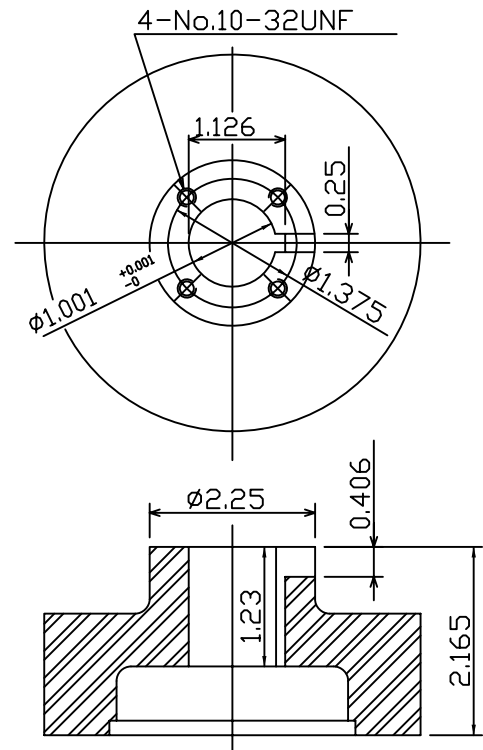
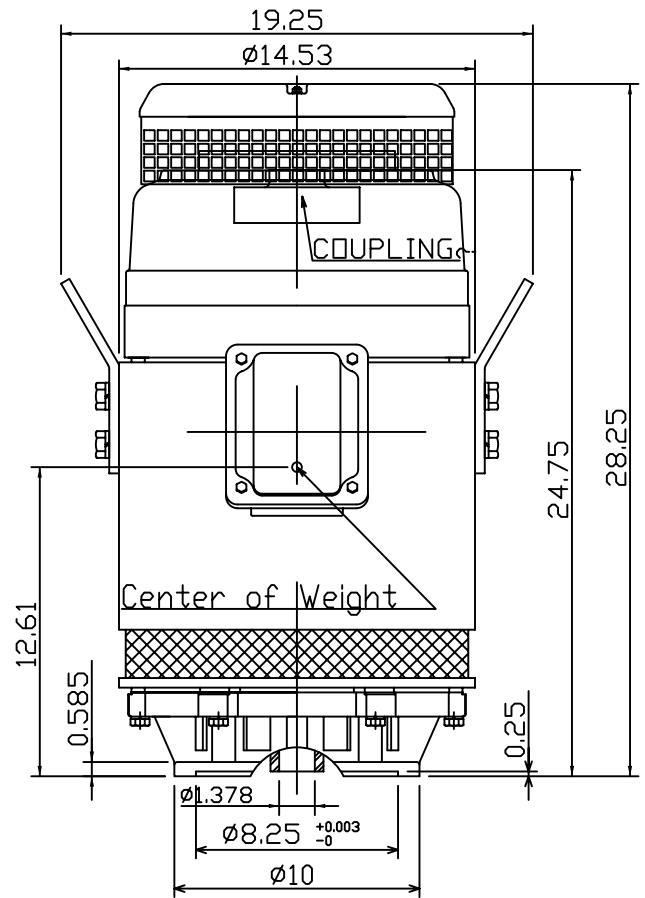
OUTLINE DIMENSIONS
3-PHASE INDUCTION MOTOR

MOTOR TYPE:
AMRCYC
FRAME NO. 284TP

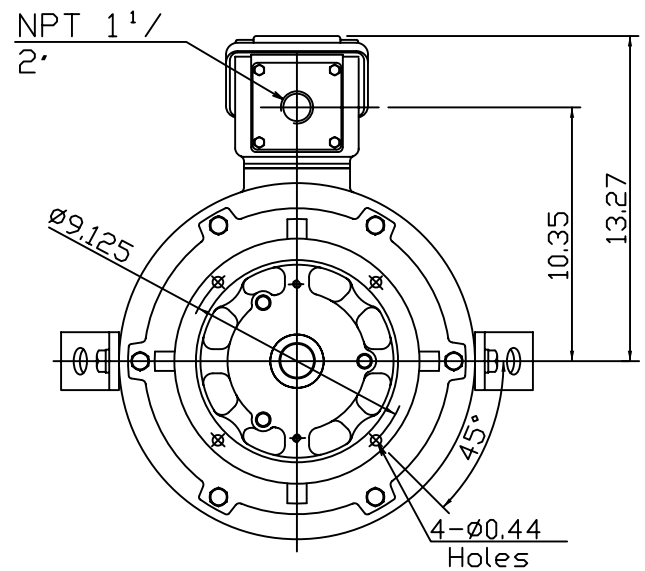
Pole	HP	kW	Hz	VOLT	Syn.Speed r/min(rpm)
4	25	18.7	60	230/460	1800

Ins	Rating	Dimension in	Approx Weight	Bearings
F	CONT.	inch	429 lbs	DE: 6312ZZC3 NDE: 7312B

NEMA Weather Protected TYPE I (WP I) Squirrel-cage Rotor.



Coupling Dimension



- Note:
1. Downthrust: 3350lbs. L10 - 8800 hours
 2. Rotation: CCW
 3. With N.R.R.
 4. Approx Reed Frequencies: 71.3 Hz

12.23.08

DWN.	???????	12 12 08
CHKD.	???????	12 23 08
APPD.	???????	12 23 08



DWG NO.
31057H808121A