

1

2

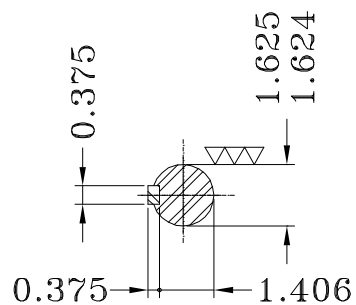
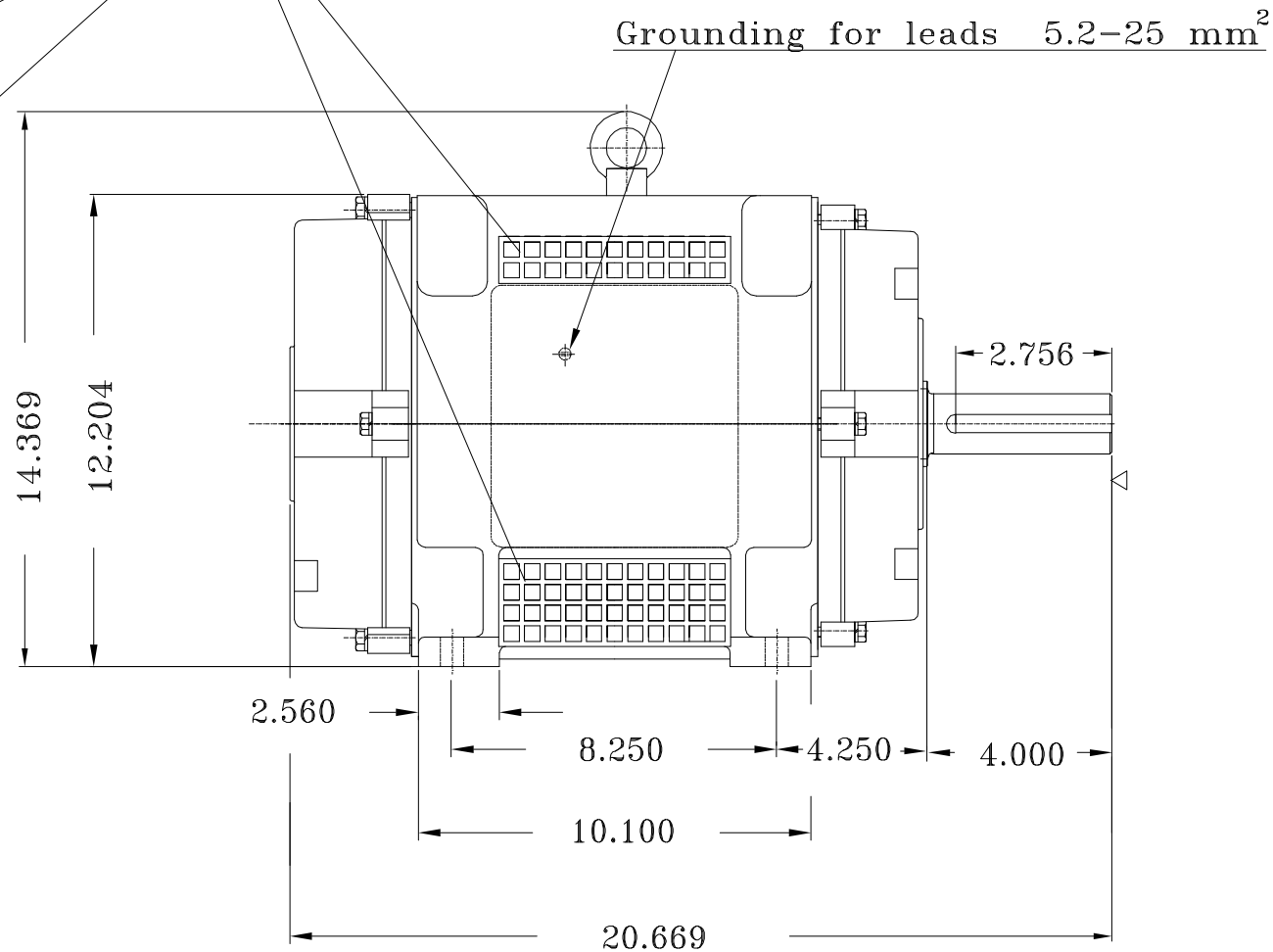
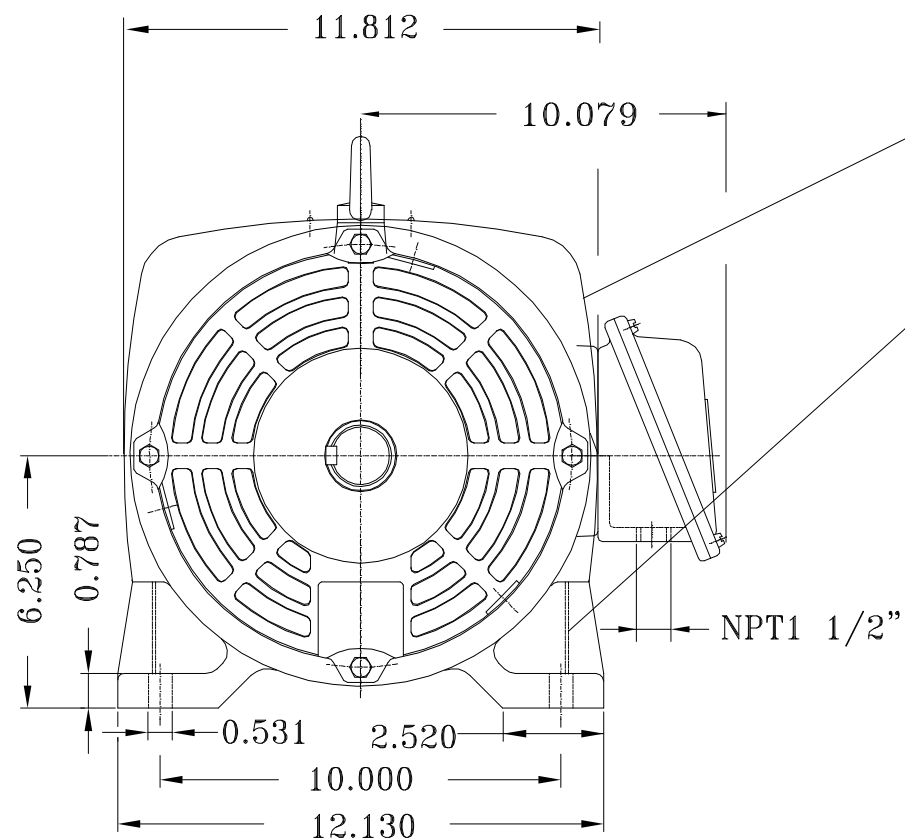
3

4

5

6

Tela de protecao / Screen protection



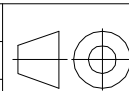

A

B

C

D

E

| | | | | | | | | | | | | | | |
|---|--|----------------------------|--|--|--|----------------|--|--------------------------|--|---|----|----------|------|-----|
| Categoria D / Design D | | | | | | | | | | | | | | |
| Carcaça especial / Special frame | | | | | | | | | | | | | | |
| Forma construtiva B3E / Mounting B3L(E) | | | | | | | | | | | | | | |
| GROSS WEIGHT | | kg | | NET WEIGHT | | kg | | SCALE % | | | | | | |
| 500000190599 | | ATULIZADO DOCUMENTO NO SAP | | | | ALCIDESZ | | ADRIANAP | | 26.05.2009 | 03 | | | |
| 500000002435 | | | | | | RUDIK | | RUDMAR | | 21.09.2008 | 02 | | | |
| MODIF. NUMBER | | LOC | | SUMMARY OF MODIFICATIONS | | | | EXECUTED | | CHECKED | | RELEASED | DATE | VER |
| EXECUTED | | RUDIK | |  WEG ELECTRIC MO (ME 254T) FRAME 254T IP23 | | | | E4007741 | |  | | | | |
| CHECKED | | | | | | | | 000 | | | | | 03 | |
| RELEASED | | RUDMAR | | | | | | | | | | | | |
| REL. DATE | | 21.09.2008 | | WMO | | JARAGUÁ DO SUL | | ENG. MOTORES INDUSTRIAIS | | SHEET | | 01 / 01 | | |

7.5 HP 6 POLE 60 Hz X686.03.01 MEC

A