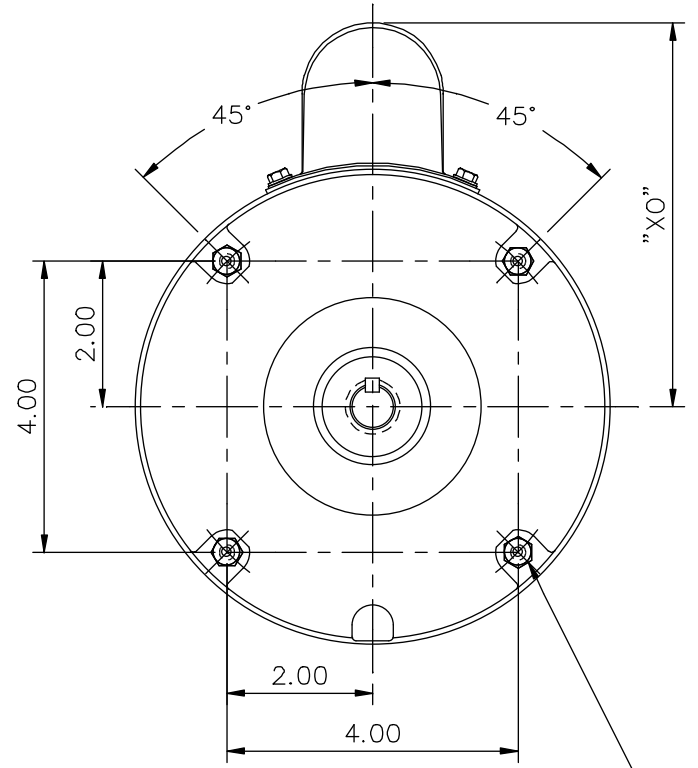
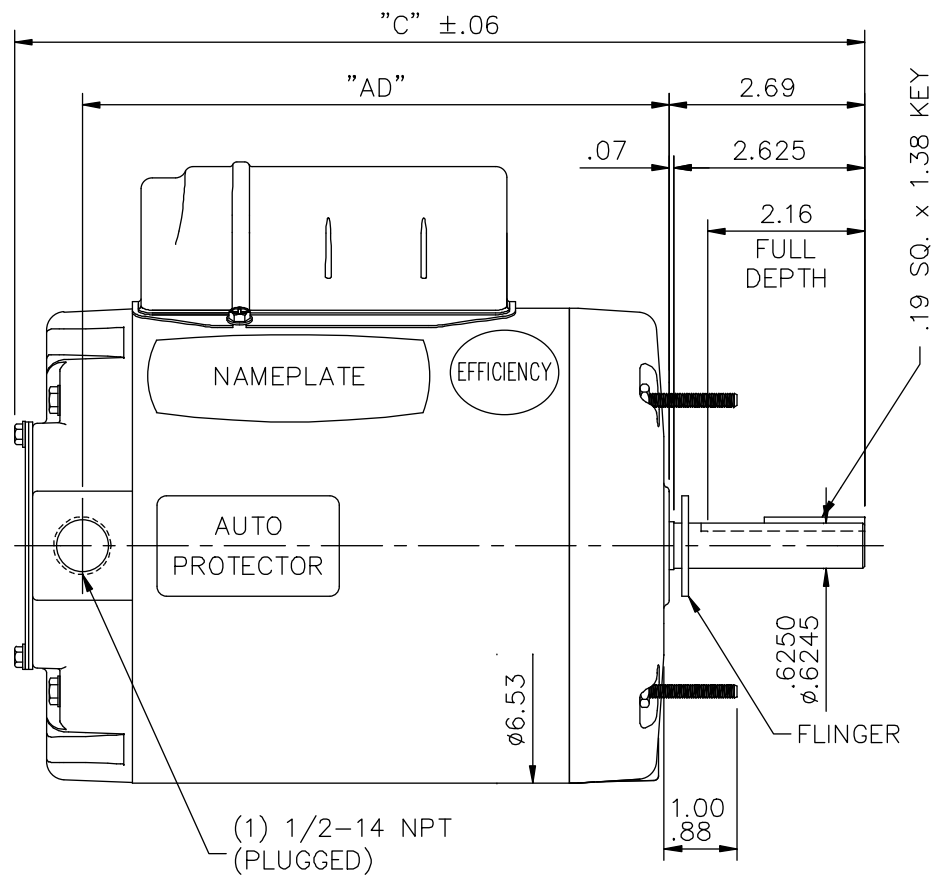
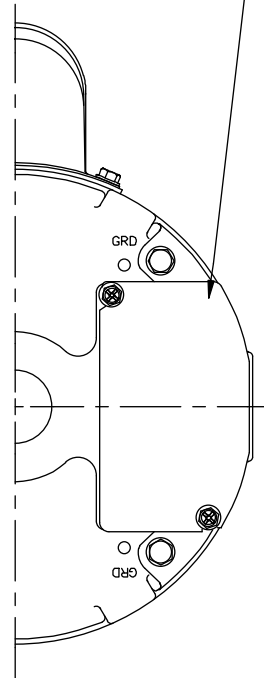


DECAL CONNECTION UNDER COVER (WHEN REQ'D)



DASH NO.	"C"	"AD"	CAP. DASH	"XO"
600	11.68	8.06	A	4.80
650	12.18	8.56	B	5.27
700	12.68	9.06	C	5.51

GASKETS THROUGHOUT



ELECTRIC MOTORS
GEARMOTORS
AND DRIVES

DRAWN	RDW 8/7/06
CHK	
APPD	KH 8/7/06
SCALE	3=8
REF	034406
FMF	
PREV	

TITLE
OUTLINE - 56Y FRAME
TENV - SPECIAL MOUNT
MAT'L.
VENTILATION FAN

NO.	REVISION	BY & DATE	CHK	ANG	TOLERANCES UNLESS SPECIFIED	
					DEC.	INCHES
					.X	±.1
					.XX	±.03
					.XXX	±.005
					.XXXX	±.0005
					±1/2'	

THIS DRAWING IN DESIGN AND DETAIL IS OUR PROPERTY AND MUST NOT BE USED EXCEPT IN CONNECTION WITH OUR WORK ALL RIGHTS OF DESIGN AND INVENTION ARE RESERVED THIS IS AN ELECTRONICALLY GENERATED DOCUMENT - DO NOT SCALE THIS PRINT

RFP	8/7/06	CAD FILE	028758
DIST	BRF-NLV		

SIZE	DRAWING NO.	REV.
A	028758	