

Product Information Packet

November 7, 2016

Data shown is for the current revision model #. Ensure your nameplate model # matches.

Model Number:	5KS449ATE208A
Catalog Number:	E7273
Instruction Manual:	GEI-M1023
Connection Diagram:	GEM-M1010
Outline Drawing:	358B6205AA

Accessory Connection Diagrams

Bearing Thermocouple:	None	Heater:	None
RTD:	None	Thermistor:	None
Thermostat:	None	Winding Thermocouple:	None
Bearing RTD:	None		

Table of Contents

Specification	01
Performance Characteristics	02
Outline Drawing	03
Connection Drawing(s)	04



Marks:

MODEL NUMBER:	5KS449ATE208A	Estimated Weight:	2500 Lbs
Outline Drawing:	358B6205AA	Time Rating:	CONT
Connection Diagram:	GEM-M1010	Enclosure:	DP
Instruction Book:	GEI-M1023	Encl Construction:	OPEN
Design Code:	49AD1001A	Ambient Max(°C):	40
Type:	KS	Alt Ambient Max(°C):	--
Frame:	449T	Insulation Class:	F
Phases:	3	NEMA Design:	B
Poles:	4	Nominal Efficiency:	95.8 %
Output Power:	300HP 222KW	Guaranteed Efficiency:	95.0
RPM:	1785	3/4 Load Efficiency:	96.2
Voltage:	460	KVA Code:	G
Hertz:	60	Max KVAR:	46.2
Amps - FL:	326	Power Factor:	88.5
Service Factor:	1.15	Bearing - DE:	6318
Alt Service Factor:	--	Bearing - ODE:	6318

Enclosure is Dripproof

Stamped Nameplate Notes:**Additional Information:**

OFFSET STATOR CORE NOT SUITABLE FOR F2 CONVERSION
 4 POLE DP
 LRA @ 460 VOLTS: 2137.1
 NO. OF MOTOR LEADS: 12
 CONDUIT BOX VOLUME (IN³): 1240
 CONDUIT BOX MTL: STAMPED STEEL
 GREASE TYPE: CHEVRON SRI-2 POLYUREA GREASE
 NOT USABLE AT 200V
 50 HZ DATA: 250HP, 400V, 317 AMPS AT 1.0SF, 1485 RPM
 SOUND POWER: 87.2
 DMK, 06/04, UPDATED 4/2005
 INVERTER DUTY PER NEMA MG1 PART 31
 FOR VARIABLE TORQUE LOADS

Performance Characteristics

1st Winding 1st Connection

Design: 49AD1001A

Marks:

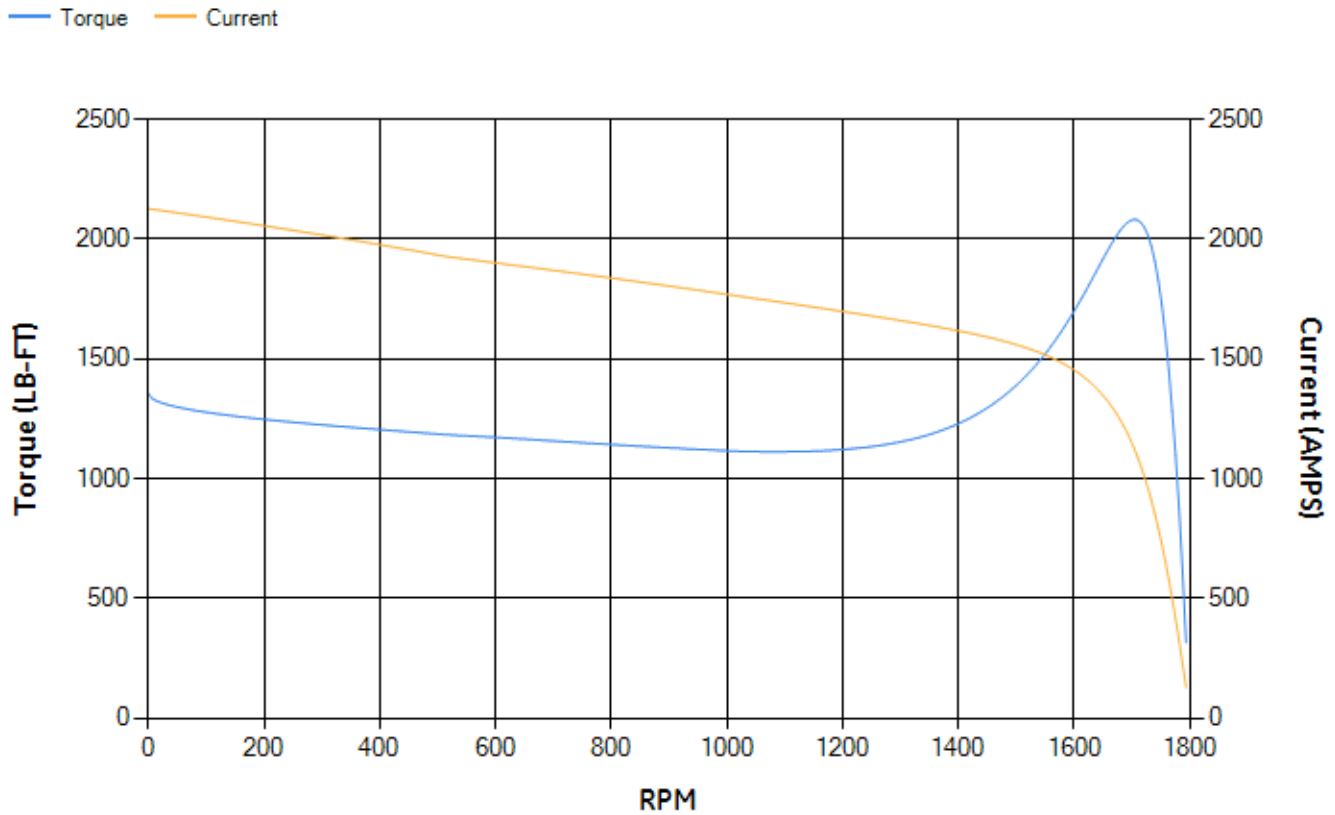
LOAD %	125.0	115.0	100.0	75.0	50.0	25.0	0.0
% EFF	94.98	95.32	95.95	96.24	96.32	95.02	0.00
% PF	88.37	89.11	89.83	89.86	87.13	73.96	4.91
AMPS	418.14	380.16	325.78	243.49	167.29	99.88	60.97

TORQ(FL)#FT	884.51	TORQ(LR)%FL	153	TORQ(BD)%FL	234.86
AMPS(LR)	2126.52	PF AT START	0.32		

This motor is capable of two cold or one hot start with a maximum connected load inertia of 3840 Lb-Ft Sq (161.66 Kg-meter Sq)at 100% voltage, where the load torque varies with the square of the speed. Acceleration time with maximum inertia and the above load type is 23 seconds. Safe stall time at 100% voltage is 46 seconds cold, 28 seconds hot. Rotor inertia is 86.1 Lb-Ft Sq (3.62 Kg-meter Sq).

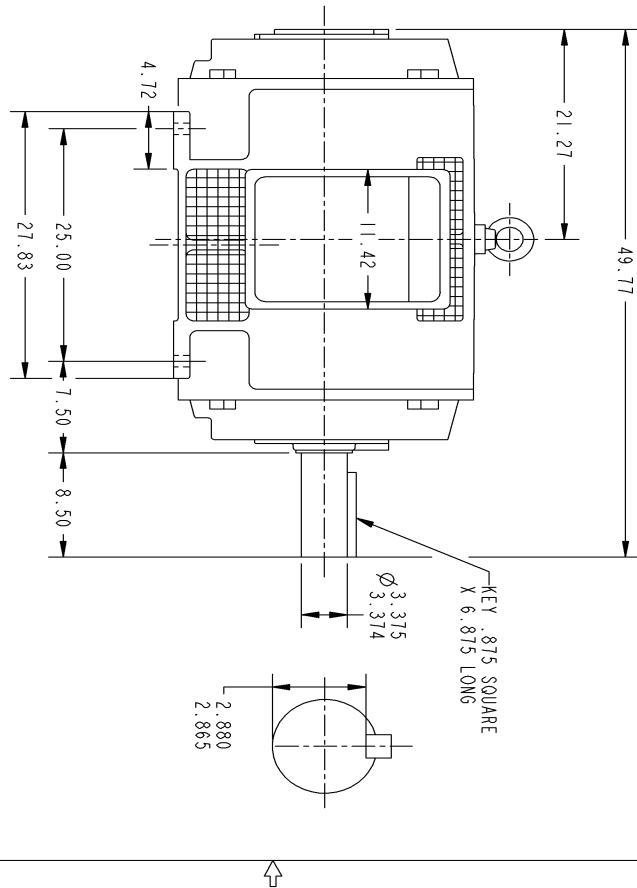
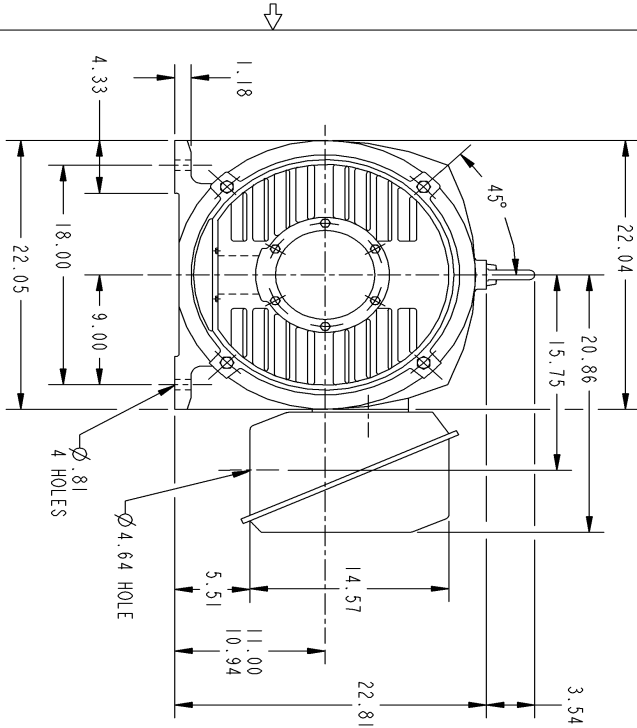
Open Circuit A-C:	1.369	Short Circuit D-C:	0.032
Short Circuit A-C:	0.037	X/R Ratio:	12.177
Stator Slots:	60	Rotor Slots:	50

Speed Torque Current Curve (First Connection, First Speed)

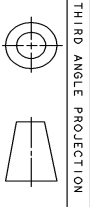


NAME: 103013756 OBJECT: 358B6205AA DATE: 28-Sep-04 18:22:32

Marks:



NOTE:
1. ALL DIMENSIONS ARE IN INCHES



THIRD ANGLE PROJECTION

GE PROPRIETARY AND CONFIDENTIAL INFORMATION
This document is the property of General Electric Company (GE) and contains proprietary information of GE. This document is loaned to the express condition that neither it nor the information contained therein shall be disclosed in any form or by any means, electronic or mechanical, including photocopying, recording, or by any information storage and retrieval system, without the prior written permission of GE Industrial Systems. This document shall be returned to GE upon its request. This document is subject to U.S. export control laws and regulations.

358B6205AA

REV 1 SHEET 1

REV.	DESCRIPTION	DATE	APPROVED
1	ISAAC 04-2270 PRABHAKAR	09/28/04	

SIGNATURES	DATE	TITLE
DESIGNER	12/12/02	ENGINEER
CHECKED	12/12/02	DESIGNER
ENGRS	12/12/02	DESIGNER
ISSUED	12/12/02	DESIGNER
SOLID MODEL MODEL NAME		

GE Industrial Systems
GENERAL ELECTRIC COMPANY

OUTLINE
449T - CAST IRON ODP FOOTED

358B6205AA REV 1

SCALE: B

SHEET 1 of 1

Marks:

Connection Diagram GEM-M1010

